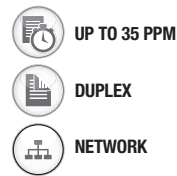


Lexmark X264dn Lexmark X360 Series



Lexmark X264dn

Lexmark X363dn

Lexmark X364dn

Lexmark X364dw

Compact and convenient monochrome MFPs for small workgroups



LEXMARKTM

Print Less. Save More.

Print less? This may seem like a surprising message for a company dedicated solely to printing. But when you consider that businesses spend, on average, up to 6% of their revenue on printing and active print management can cut office print costs by up to 30%¹, it makes a lot of sense. Lexmark products, solutions and services provide innovative ways to save you time, drive down costs and reduce your impact on the environment. We are committed to helping you print less and save more.

¹ Source: InfoTrends/CapVentures, Network Document Solutions Forecast 2007-2012, Network Document Solutions Consulting Service, August 2008

Designed especially for small workgroups that want big-time results, Lexmark X264dn and X360 Series MFPs unite your most essential office functions into one compact, high-performance solution. In addition to speed, quality and simplicity, these devices offer you competitive features to save time and money, such as duplex scanning models and high-yield toner cartridges for an attractive cost per page.



Big-league performance

Office efficiency is important to the success of your business, so Lexmark makes sure small workgroups can get in on the action too. Now you can enjoy rapid output up to 35 ppm and the first page out in as fast as 7 seconds. What's more, you'll have the tools to race through your workloads at record speeds.

- Load up to 850-sheet input capacity with an optional paper drawer
- Stack up to 50 sheets in the automatic document feeder, then scan two-sided† documents in a single step
- Scan and send documents to various destinations, including e-mail
- Dispatch faxes quickly and reliably with the fast fax modem (standard on some models)

†Available on Lexmark X360 Series models



Surprisingly simple

You'll be up and running quickly with little or virtually no training. Copying and scanning are as easy as a few touches of a button, and the intuitive backlit operator panel offers two lines of text to guide newcomers through printing and maintenance with ease.

- Load up to 50 pages in the multipurpose feeder† to print forms, labels or specialty paper without reloading the main drawer
- Print image files straight from a flash drive with the Direct USB port† – you can scan to it as well!
- Manage your scanned documents easily with the Lexmark Scan Center
- Load supplies in just seconds with convenient front-loading access

†Available on Lexmark X360 Series models



Quality where it counts

With their robust, high-quality design, Lexmark MFPs deliver reliability that makes a difference. They bring excellence to every aspect of the multifunction experience – from the invoices you're scanning to the important documents you need printed for the next meeting.

- Achieve superior scan resolution with the 24-bit color CCD scanner
- Add a professional touch with up to 1200 x 1200 dpi print quality
- Get great results on various media types, including card stock and labels
- Enhance the quality of your work environment with Quiet Mode

Print black, think green

Consolidating all your document functions into one efficient network device helps you reduce energy, hardware and supplies consumption. Lexmark takes eco-accountability further to help you print responsibly throughout your workday.

- Conserve resources with 9,000*-page high-yield replacement cartridges
- Save paper with built-in duplex printing – standard on all models
- Save energy with the instant warm-up fuser
- Recycle easily and free of charge with the Lexmark Cartridge Collection Program

*Declared yield value in accordance with ISO/IEC 19752



Lexmark X264dn and X360 Series

Explore the features that keep you moving



Hands-free copying
Load and scan up to 50 pages at a time with the automatic document feeder.



Intuitive messaging
With two lines of text, your MFP conveys clear maintenance instructions.



Duplex scanning†
No need to turn your originals manually – the MFP does the work for you.

†Available on Lexmark X360 Series models



Direct USB printing†
Just walk up, insert a flash drive, select a PDF or image file and start printing†.

†Available on Lexmark X360 Series models



Multipurpose feeder†
Print envelopes or other media types without having to open the paper drawer.

†Available on Lexmark X360 Series models



Low intervention
High-capacity cartridges deliver thousands of pages before replacing.



Optional extra input
Boost your total input capacity by adding a second drawer (up to 250 or 550 sheets).



Wireless freedom
Break free from network cables with the Lexmark X364dw, a Wi-Fi CERTIFIED 802.11n draft 2.0 wireless printer.

Peace-of-mind service

The Lexmark X264dn and X360 Series MFPs come standard with Lexmark's 1-Year Onsite Service warranty, which provides you with next-business-day response. You can also extend your warranty with a customized offering to match your specific needs.

The Productivity Checklist

If you've got all these, then you've got a Lexmark!



Instant Warm Up

With Lexmark's instant warm-up fuser, your MFP will be racing through documents in the time it takes many other devices to wake up. In addition to getting your print jobs in your hands faster – just seconds from standby – you'll also benefit from increased efficiency. So you can save time, energy and money all at once!

Superior scanning

The Lexmark Scan Center offers a complete range of features for creating digital documents and integrating them into your daily workflow with ease. Preview your image, adjust contrast and colors, and save your scan in multiple file formats. Then send your scan to various destinations, either straight to e-mail or over your network to a shared drive, PC or business application. With built-in software for optical character recognition (OCR), you can even transform hardcopy text into editable form – a useful tool that will save you from having to retype text.

Smart supplies

Lexmark hardware and supplies are made for each other. When used together, they ensure optimal performance, protecting the quality of your documents and your device. Lexmark cartridges help protect the environment too. Using Lexmark high-yield toner cartridges conserves resources by reducing the number of cartridges you will use over the life of your printer. Lexmark practices zero landfill for cartridges, reusing or recycling 100% of all returns through the free-of-charge Lexmark Cartridge Collection Program.

Effortless manageability

Take a load off your IT department. These devices are network-ready and very easy to set up. If you have multiple Lexmark devices installed, the Lexmark Universal Driver offers even easier deployment. Once up and running, step-by-step on-screen messaging provides users with clear information. What's more, Lexmark MarkVision Professional software provides simplified remote management and automated tools to keep your workday flowing!

Get exactly the performance you need



Lexmark X264dn

Compact and reliable 4-in-1 MFP for small workgroups

- Print, copy, scan and fax
- Up to 30 ppm print speed
- First page out as fast as 7.5 seconds
- 64MB of RAM standard
- Up to 250-sheet input and single-sheet priority bypass feed
- Ships with 1,500*-page Lexmark Return Program Toner Cartridge
- Choice of replacement toner cartridge yields: 3,500* or 9,000* pages
- Recommended monthly volume: 250 to 4,500 pages



Lexmark X363dn

Fast, versatile 3-in-1 MFP with advanced features

- Print, copy and duplex scan
- Up to 35 ppm print speed
- Up to 50-sheet multipurpose feeder
- 128MB of RAM standard
- Ships with 3,000*-page Lexmark Return Program Toner Cartridge
- Choice of replacement toner cartridge yields: 3,500* or 9,000* pages
- Recommended monthly volume: 750 to 5,000 pages



Lexmark X364dn

Fast, versatile 4-in-1 MFP with advanced features

- Print, copy, duplex scan and high-speed fax
- Up to 35 ppm print speed
- Up to 50-sheet multipurpose feeder
- 128MB of RAM standard
- Ships with 3,000*-page Lexmark Return Program Toner Cartridge
- Choice of replacement toner cartridge yields: 3,500* or 9,000* pages
- Recommended monthly volume: 750 to 5,000 pages
- Wireless-ready model available: Lexmark X364dw

	Lexmark X264dn	Lexmark X363dn	Lexmark X364dn
Printing			
Print Technology	Monochrome Laser		
Print Speed (Letter, Black): Up to	30 ppm	35 ppm	35 ppm
Time to First Page (Black)	As fast as 7.5 seconds	As fast as 7 seconds	As fast as 7 seconds
Print Resolution, Black	1200 Image Quality, 1200 x 1200 dpi, 2400 Image Quality, 600 x 600 dpi		
Memory, Standard	64 MB	128 MB	128 MB
Memory, Maximum	64 MB	128 MB	128 MB
Print Noise Level, Operating	54 dBA		
Noise Level, Idle	27 dBA		
Maximum Monthly Duty Cycle: Up to	50000 pages per month	80000 pages per month	80000 pages per month
Recommended Monthly Page Volume	250 - 4500 pages	750 - 5000 pages	750 - 5000 pages
Supplies			
Supplies Yield (*Average standard page yield value declared in accordance with ISO/IEC 19752.)	9,000*-page High Yield Toner Cartridge, 3,500*-page Toner Cartridge		
Cartridge(s) Shipping with Product	1,500*-page Starter Return Program Toner Cartridge	3,000*-page Starter Return Program Toner Cartridge	3,000*-page Starter Return Program Toner Cartridge
Copying			
Copy Speed (Letter, Black): Up to	30 cpm	35 cpm	35 cpm
ADF Scan	Simplex	RADF (reversing Duplex)	RADF (reversing Duplex)
Scanning Resolution	600 X 600 dpi (black)		
Reduce / Enlarge Range	25 - 400 %		
Faxing			
Modem Speed	33.6 Kbps		33.6 Kbps
Paper Handling			
Paper Handling Standard	150-Sheet Output Bin, Integrated Duplex, Single Sheet Exit, Single Sheet Manual Feed, 250-Sheet Input Tray	150-Sheet Output Bin, Integrated Duplex, Single Sheet Exit, 250-Sheet Input Tray, 50-Sheet Multipurpose Feeder	150-Sheet Output Bin, Integrated Duplex, Single Sheet Exit, 250-Sheet Input Tray, 50-Sheet Multipurpose Feeder
Paper Handling Optional	550-Sheet Drawer, Only one drawer may be installed at a time, 250-Sheet Drawer		
Paper Input Capacity, Standard: Up to	250+1 pages 20 lb or 75 gsm bond	300 pages 20 lb or 75 gsm bond	300 pages 20 lb or 75 gsm bond
Paper Input Capacity, Maximum: Up to	800+1 pages 20 lb or 75 gsm bond	850 pages 20 lb or 75 gsm bond	850 pages 20 lb or 75 gsm bond
Paper Output Capacity, Standard: Up to	150 pages 20 lb or 75 gsm bond		
Paper Output Capacity, Maximum: Up to	150 pages 20 lb or 75 gsm bond		
ADF Paper Input Capacity : Up to	50 pages 20 lb or 75 gsm bond		
Media Types Supported	Card Stock, Envelopes, Paper Labels, Plain Paper, Transparencies, Refer to the Card Stock & Label Guide		
Media Sizes Supported	10 Envelope, 7 3/4 Envelope, 9 Envelope, A4, A5, B5 Envelope, C5 Envelope, DL Envelope, A6 Card, Executive, Folio, JIS-B5, Legal, Letter, Statement, Universal, Oficio		
Compatibility			
Network Protocol Support	TCP/IP IPv4, TCP/IP IPv6, TCP, UDP	TCP/IP IPv4, AppleTalk™, TCP/IP IPv6, TCP, UDP	TCP/IP IPv4, AppleTalk™, TCP/IP IPv6, TCP, UDP
Printer Languages (Standard)	PCL 5e Emulation, PCL 6 Emulation, Personal Printer Data Stream (PPDS), PostScript 3 Emulation	PCL 5e Emulation, PCL 6 Emulation, Personal Printer Data Stream (PPDS), PostScript 3 Emulation, PDF 1.6	PCL 5e Emulation, PCL 6 Emulation, Personal Printer Data Stream (PPDS), PostScript 3 Emulation, PDF 1.6
Standard Ports	Ethernet 10/100BaseTX (RJ-45), USB 2.0 Specification Hi-Speed Certified (Type B)	Ethernet 10/100BaseTX (RJ-45), USB 2.0 Specification Hi-Speed Certified (Type B), Front USB port Compatible with USB 2.0 Specification (Type A)	Ethernet 10/100BaseTX (RJ-45), USB 2.0 Specification Hi-Speed Certified (Type B), Front USB port Compatible with USB 2.0 Specification (Type A)
Microsoft Windows Operating Systems Supported	2000, XP, Server 2003, XP x64, Server 2003 running Terminal Services, 2000 Server running Terminal Services, Server 2003 x64, Server 2003 x64 running Terminal Services, Vista, Vista x64, Server 2008, Server 2008 x64, Server 2008 running Terminal Services, Server 2008 x64 running Terminal Services		
Apple Macintosh Operating Systems Supported	Mac OS X (10.2 or later), Mac OS 9.x		
General			
Function	Copying, Faxing, Network Scanning, Printing	Copying, Network Scanning, Printing	Copying, Faxing, Network Scanning, Printing
Product Warranty	1-Year Onsite Service, Next Business Day		
Product Certifications	www.lexmark.com		
Size (in. - H x W x D)	17.3 x 16.8 x 16.0 in.	18.5 x 16.8 x 16.0 in.	18.5 x 16.8 x 16.0 in.
Weight (lb.)	43 lb.	44 lb.	44 lb.
Specified Operating Environment	Temperature: 16 to 32°C (60 to 90°F), Humidity: 8 to 80% Relative Humidity, Altitude: 0 - 2500 Meters (8,200 Feet)		

Maximum Monthly Duty Cycle

«Maximum Monthly Duty Cycle» is defined as the maximum number of pages a device could deliver in a month. This metric provides a comparison of robustness in relation to other Lexmark printers and MFPs.

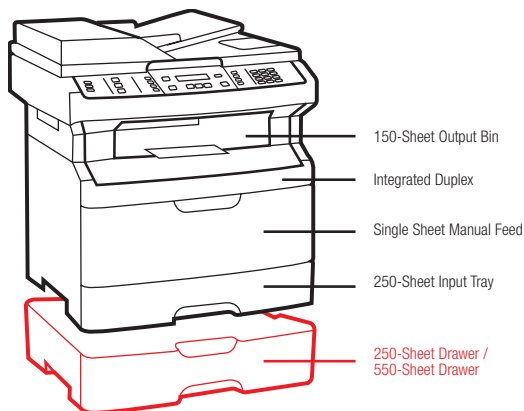
Recommended Monthly Page Volume

«Recommended Monthly Page Volume» is a range of pages that helps customers evaluate Lexmark's product offerings based on the average number of pages customers plan to print on the device each month. Lexmark recommends that the number of pages per month be within the stated range for optimum device performance, based on factors including: supplies replacement intervals, paper loading intervals, speed, and typical customer usage.

Trademarks

Lexmark and Lexmark with the diamond design are trademarks of Lexmark International, Inc., registered in the United States and/or other countries. All other trademarks are the property of their respective owners. PCL is a registered trademark of Hewlett-Packard Company. AppleTalk, Mac and Macintosh are trademarks of Apple Computer, Inc., registered in the United States and other countries. MarkNet and MarkVision are trademarks of Lexmark International, Inc., registered in the United States and/or other countries. The USB-IF logos are trademarks of Universal Serial Bus Implementers Forum, Inc. ENERGY STAR® is a U.S. registered mark. Microsoft, Windows, the Windows logo, Windows Vista, and the Windows Vista logo are trademarks or registered trademarks of Microsoft Corporation in the United States and/or other countries. Citrix, MetaFrame and MetaFrame XP are registered trademarks or trademarks of Citrix Systems, Inc. in the U.S. and other countries. Information in this document is subject to change without notice.

Lexmark X264dn



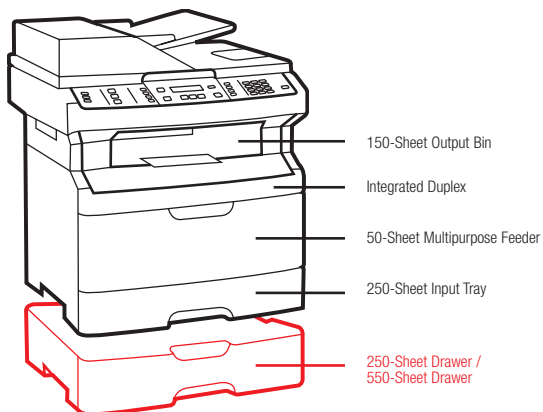
■ Paper Handling Standard
■ Paper Handling Optional

Part #	Model
13B0500	Lexmark X264dn
Part #	Laser Toner/Print Cartridge
X264H11G	X264, X363, X364 High Yield Return Program Toner Cartridge
X264A11G	X264, X363, X364 Return Program Toner Cartridge
X264H21G	X264, X363, X364 High Yield Toner Cartridge
X264A21G	X264, X363, X364 Toner Cartridge
E260X22G	E260, E360, E460 Photoconductor Kit
Part #	Paper & Transparencies
70X7240	Laser Printer Transparencies (Letter)
Part #	Paper Handling
34S0550	550-Sheet Drawer
34S0250	250-Sheet Drawer
Part #	Memory Options
1021209	64MB Flash Card
Part #	Connectivity
1021294	USB (2 Meter) Cable
14T0145	Lexmark N4050e 802.11g Wireless Print Server
14T0220	MarkNet™ N7020e Gigabit Ethernet Print Server
14T0230	MarkNet™ N7000e Fast Ethernet Print Server - USB
14T0030	Lexmark N4000e for Ethernet 10/100BaseTX
Part #	Extended Warranties
2350932	2-Years Total Onsite Service, Next Business Day
2350933	3-Years Total Onsite Service, Next Business Day
2350936	1-Year Onsite Service Renewal, Next Business Day
Part #	User Replaceable Parts
40X5535	ADF Flatbed Cushion
40X5472	ADF Separator Pad
40X5471	ADF Separator Roll

In the box

Lexmark X264dn Multifunction Laser Printer, up to 1,500 pages* starter Return Program Cartridge, Photoconductor Kit, software and documentation CD, setup guide or sheet (network and local attachment), power cord(s), RJ-11 phone cable or adapter (country dependent), Statement of Limited Warranty, operator panel language overlay, safety sheet or booklet, Lexmark Cartridge Collection Program information

Lexmark X363dn



■ Paper Handling Standard
■ Paper Handling Optional

Part #	Model
13B0501	Lexmark X363dn
Part #	Laser Toner/Print Cartridge
X264H11G	X264, X363, X364 High Yield Return Program Toner Cartridge
X264A11G	X264, X363, X364 Return Program Toner Cartridge
X264H21G	X264, X363, X364 High Yield Toner Cartridge
X264A21G	X264, X363, X364 Toner Cartridge
E260X22G	E260, E360, E460 Photoconductor Kit
Part #	Paper & Transparencies
70X7240	Laser Printer Transparencies (Letter)
Part #	Paper Handling
34S0550	550-Sheet Drawer
34S0250	250-Sheet Drawer
Part #	Memory Options
1021209	64MB Flash Card
Part #	Connectivity
1021294	USB (2 Meter) Cable
14T0145	Lexmark N4050e 802.11g Wireless Print Server
14T0220	MarkNet™ N7020e Gigabit Ethernet Print Server
14T0230	MarkNet™ N7000e Fast Ethernet Print Server - USB
14T0030	Lexmark N4000e for Ethernet 10/100BaseTX
Part #	Extended Warranties
2350974	2-Years Total Onsite Service, Next Business Day
2350975	3-Years Total Onsite Service, Next Business Day
2350978	1-Year Onsite Service Renewal, Next Business Day
Part #	User Replaceable Parts
40X5535	ADF Flatbed Cushion
40X5472	ADF Separator Pad
40X5471	ADF Separator Roll

In the box

Lexmark X363dn Multifunction Laser Printer, up to 3,000 pages* starter Return Program Cartridge, Photoconductor Kit, software and documentation CD, setup guide or sheet (network and local attachment), power cord(s), Statement of Limited Warranty, operator panel language overlay, safety sheet or booklet, Lexmark Cartridge Collection Program information

Other models available

13B0502 - Lexmark X364dn: Lexmark X363dn + fax
13B0503 - Lexmark X364dw: Lexmark X364dn + built-in wireless

Lexmark's guarantee to you

At Lexmark, we're always working hard to ensure you achieve maximum productivity and minimum downtime. For greater level of peace of mind, you can opt for one of our Lexmark service offerings detailed on www.lexmark.com/services.



Environmental commitment

Lexmark believes that the environment is a critical component of responsible business management and clearly demonstrates it by implementing the "4R" strategy: Reduce, Recover, Reuse and Recycle. To learn more about these programs please visit www.lexmark.com/recycle.

Cost-saving and environmental features

- Energy Star compliant
- Instant warm-up fuser reduces power consumption
- Duplex printing, multi-up and support of recycled paper help reduce paper consumption
- Eco-Mode reduces power consumption and Quiet-Mode reduces noise

