

# Lexmark CS310 Series Color Laser Printer

Stunning Color. Smart for Business.

The Lexmark CS310 Series color laser printer performs like no other. With PANTONE® color matching and other features typically found only on larger, higher-end systems, this affordable desktop system helps your company shine with professional results. *Want 2-sided printing capabilities? Get the CS310dn.*



Color



Up to 25 ppm



Network



Eco-Mode



## Fantastic Color. Fast.

Delivers rich, consistent color printing that can greatly enhance your company's brand, sales and presentation materials. Faster and more reliable than ever, so your team can stay highly productive.

**Freedom to Print on the Fly** - With the ability to print professional color in-house, you'll save time and money typically spent on expensive, outside printing alternatives.

**Professional Color Matching** - Lexmark Named Color Replacement and PANTONE® calibration make it easy to develop a consistent brand image by accurately matching your colors.

**High Resolution Graphics** - With up to true 1200x1200 dpi resolution, images and graphics stay crisp. Lexmark's Unison™ Toner ensures consistent quality, too.

**Super Fast and Quiet Output** - Quickly print up to 25 pages per minute in black and color. You can produce a 1-page color document in as little as 11 seconds.

## Get More Work Done. Effortlessly.

Produce everything on the spot—from in-store signage to customer presentations. Features like an easy-to-read user control panel, large output bin and more make printing a breeze.

**Reliable Performance** - Easily print up to 5,000 pages per month, plus enjoy fewer maintenance hassles, thanks to our state-of-the-art paper handling.

**Run Larger Jobs without Interruption** - With an input capacity of up to 900 sheets and a high yield toner cartridge option, you won't have to add paper or change cartridges as often.

**Print Complex Documents Fast** - Print documents with graphics and images effortlessly with 256 MB of upgradable memory and a fast dual-core processor.

**Innovative Toner That Optimizes Performance** - Get greater system performance with Lexmark's Unison™ Toner, which delivers consistent image quality from first print to last.

## Adaptable. Secure. Saves Money, Too.

Designed to help you quickly respond to changing business needs, our eco-friendly printers help your company keep a competitive edge with a streamlined workflow and cost-effective operation.

**Print Anytime and Anywhere<sup>6</sup>** - With this system, you can print from desktops as well as mobile devices that can run applications.

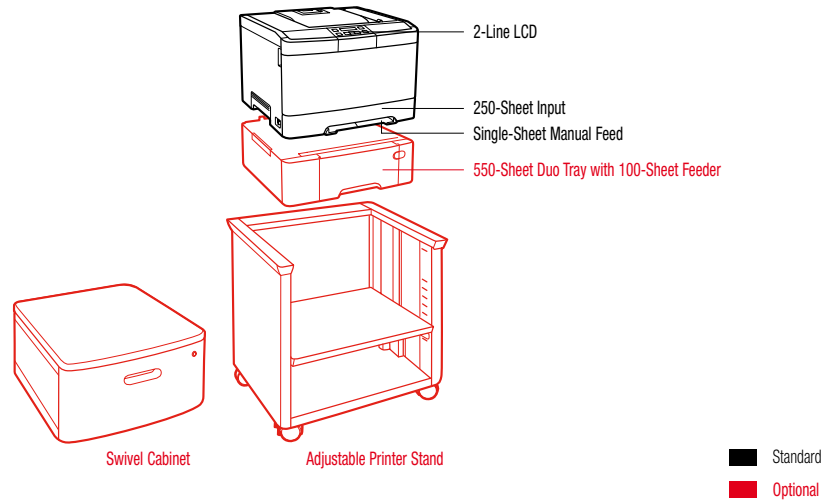
**Better Manage Print Jobs** - Take advantage of smart functions like job waiting, custom messaging and programmable alerts.

**Enjoy Enterprise-level Security** - Audit employee usage and protect sensitive data using standard network security protocols.

**Save Resources and the Planet** - An instant warm-up fuser, built-in 2-sided printing<sup>8</sup>, plus Quiet, Hibernate and Eco modes minimize noise and save paper and energy

**LEXMARK**  
TM

# Lexmark CS310 Series Color Laser Printer



Product specifications	Lexmark CS310n	Lexmark CS310dn
<b>Printing</b>		
Display	16 character, 2-line backlit All Points Addressable (APA) LCD Display	
Print Speed: Up to <sup>4</sup>	Black: 25 ppm / Color: 25 ppm	
Time to First Page: As fast as	Black: 10 seconds / Color: 11 seconds	
Print Resolution	Black: 1200 x 1200 dpi, 4800 Color Quality (2400 x 600 dpi) / Color: 1200 x 1200 dpi, 4800 Color Quality (2400 x 600 dpi)	
Memory / Processor	Standard: 256 MB / Maximum: 2304 MB / Processor: Dual Core, 800 MHz	
Hard Disk	Not Available	
Recommended Monthly Page Volume <sup>2</sup>	500 - 5000 pages	
Maximum Monthly Duty Cycle: Up to <sup>3</sup>	60000 pages per month	
<b>Supplies<sup>5</sup></b>		
Laser Cartridge Yields	1,000 <sup>1</sup> -page Black and Color (CMYK) Cartridges, 3,000 <sup>1</sup> -page Color (CMY) High Yield Cartridges, 4,000 <sup>1</sup> -page Black High Yield Cartridge	
Cartridge(s) Shipping with Product	750 <sup>1</sup> -page Black and Color (CMYK) Starter Return Program Toner Cartridges	1,400 <sup>1</sup> -page Black and Color (CMYK) Starter Return Program Toner Cartridges
<b>Paper Handling</b>		
Included Paper Handling	250-Sheet Input, 125-Sheet Output Bin, Single-Sheet Manual Feed	250-Sheet Input, 125-Sheet Output Bin, Integrated Duplex, Single-Sheet Manual Feed
Optional Paper Handling	550-Sheet Duo Tray with 100-Sheet Feeder	
Paper Input Capacity: Up to	Standard: 250+1 pages 20 lb or 75 gsm bond / Maximum: 900+1 pages 20 lb or 75 gsm bond	
Paper Output Capacity: Up to	Standard: 125 pages 20 lb or 75 gsm bond / Maximum: 125 pages 20 lb or 75 gsm bond	
Media Types Supported	Card Stock, Paper Labels, Plain Paper, Transparencies, Refer to the Card Stock & Label Guide	
Media Sizes Supported	A4, A5, Executive, Folio, JIS-B5, Legal, Letter, Universal, Oficio	
<b>General<sup>7</sup></b>		
Standard Ports	USB 2.0 Specification Hi-Speed Certified (Type B), Ethernet 10/100BaseTX (RJ-45), also works with 1000Base-T	
Optional Network Ports / Optional Local Ports	MarkNet N8352 802.11b/g/n Wireless	External MarkNet™ N7020e Gigabit Ethernet, MarkNet N8352 802.11b/g/n Wireless
Noise Level, Operating	Printing: 48 dBA	
Product Warranty	1-Year Exchange Service, Next Business Day	
Size (in. - H x W x D) / Weight (lb.)	11.5 x 17.4 x 16.0 in. / 44.3 lb.	11.5 x 17.4 x 16.0 in. / 44.8 lb.

<sup>1</sup> Average continuous black or continuous composite CMY declared cartridge yield up to this number of standard pages in accordance with ISO/IEC 19798. <sup>2</sup> "Recommended Monthly Page Volume" is a range of pages that helps customers evaluate Lexmark's product offerings based on the average number of pages customers plan to print on the device each month. Lexmark recommends that the number of pages per month be within the stated range for optimum device performance, based on factors including: supplies replacement intervals, paper loading intervals, speed, and typical customer usage. <sup>3</sup> "Maximum Monthly Duty Cycle" is defined as the maximum number of pages a device could deliver in a month using a multishift operation. This metric provides a comparison of robustness in relation to other Lexmark printers and MFPs. <sup>4</sup> Print and copy speeds measured in accordance with ISO/IEC 24734, excludes first set of test documents. For more information see: [www.lexmark.com/ISOspeeds](http://www.lexmark.com/ISOspeeds). <sup>5</sup> Product functions only with replacement cartridges designed for use in a specific geographical region. See [www.lexmark.com/regions](http://www.lexmark.com/regions) for more details. <sup>6</sup> For more information on Lexmark Mobile Solutions see: [http://www1.lexmark.com/en\\_US/solutions/business-solutions/mobile-print/index.shtml](http://www1.lexmark.com/en_US/solutions/business-solutions/mobile-print/index.shtml) <sup>7</sup> Printers are sold subject to certain license/agreement conditions. See [www.lexmark.com/printerlicense](http://www.lexmark.com/printerlicense) for details. <sup>8</sup> Duplex (2-sided printing) models are ENERGY STAR compliant.

