

## MULTIFUNCTIONAL DIGITAL SYSTEMS

**e-STUDIO2802AM/2802AF**

**e-STUDIO2303AM/2803AM**

**e-STUDIO2309A/2809A**

[Safety Information](#)

GB

[Sicherheitsinformationen](#)

DE

[Informations de sécurité](#)

FR

[Información de Seguridad](#)

ES

[Informazioni sulla sicurezza](#)

IT

[Zasady bezpieczeństwa](#)

PL

[Техника безопасности](#)

RU



# Safety Information

---

## ■ Preface

Thank you for purchasing the Toshiba Multifunctional Digital Systems.

The SAFETY INFORMATION describes the necessary precautions for using this TOSHIBA Multifunctional Digital Systems.

For your added safety, be sure to read this booklet before using this equipment. The models vary from region to region.

The following table shows combinations of the model name indicated on the front cover and the model name given in the identification label.

Model name on the front cover	Model name on the identification label
e-STUDIO2802A/2802AM/2802AF	DP-2802A/2802AM/2802AF
e-STUDIO2303A	DP-2303A
e-STUDIO2303AM/2803AM	DP-2303AM/2803AM
e-STUDIO2309A/2809A	DP-2309A/2809A

If there is a model name in the note, the corresponding model is applicable. If not, the above models are applicable.

Example:

**e-STUDIO2309A/2809A:** This is a note for using e-STUDIO2309A/2809A.

GB

## □ Trademarks

Other company and product names given in this manual or displayed in this software may be the trademarks of their respective companies.

## □ Disclaimer Notice

The following notice sets out the exclusions and limitations of liability of TOSHIBA TEC CORPORATION (including its employees, agents and sub-contractors) to any purchaser or user ('User') of the e-STUDIO2802A/2802AM/2802AF, the e-STUDIO2303A, the e-STUDIO2303AM/2803AM, or the e-STUDIO2309A/2809A, including its accessories, options and bundled software ('Product').

1. The exclusion and limitations of liability referred to in this notice shall be effective to the fullest extent permissible at law. For the avoidance of doubt, nothing in this notice shall be taken to exclude or limit TOSHIBA TEC CORPORATION's liability for death or personal injury caused by TOSHIBA TEC CORPORATION's negligence or TOSHIBA TEC CORPORATION's fraudulent misrepresentation.
2. All warranties, conditions and other terms implied by law are, to the fullest extent permitted by law, excluded and no such implied warranties are given or apply in relation to the Products.

- 
3. TOSHIBA TEC CORPORATION shall not be liable for any loss, cost, expense, claim or damage whatsoever caused by any of the following:
- (a) use or handling of the Product otherwise than in accordance with the manuals, including but not limited to Operator's Manual, User's Guide, and/or incorrect or careless handling or use of the Product;
  - (b) any cause which prevents the Product from operating or functioning correctly which arises from or is attributable to either acts, omissions, events or accidents beyond the reasonable control of TOSHIBA TEC CORPORATION including without limitation acts of God, war, riot, civil commotion, malicious or deliberate damage, fire, flood, or storm, natural calamity, earthquakes, abnormal voltage or other disasters;
  - (c) additions, modifications, disassembly, transportation, or repairs by any person other than service technicians authorized by TOSHIBA TEC CORPORATION; or
  - (d) use of paper, supplies or parts other than those recommended by TOSHIBA TEC CORPORATION.
4. Subject to paragraph 1, TOSHIBA TEC CORPORATION shall not be liable to Customer for:
- (a) loss of profits; loss of sales or turnover; loss of or damage to reputation; loss of production; loss of anticipated savings; loss of goodwill or business opportunities; loss of customers; loss of, or loss of use of, any software or data; loss under or in relation to any contract;
- or
- (b) any special, incidental, consequential or indirect loss or damage, costs, expenses, financial loss or claims for consequential compensation;

whatsoever and howsoever caused which arise out of or in connection with the Product or the use or handling of the Product even if TOSHIBA TEC CORPORATION is advised of the possibility of such damages.

TOSHIBA TEC CORPORATION shall not be liable for any loss, cost, expense, claim or damage caused by any inability to use (including, but not limited to failure, malfunction, hang-up, virus infection or other problems) which arises from use of the Product with hardware, goods or software which TOSHIBA TEC CORPORATION has not directly or indirectly supplied.

## ■ END USER SOFTWARE LICENSE AGREEMENT

INSTALLING OR OTHERWISE USING THIS SOFTWARE PRODUCT CONSTITUTES YOUR ACCEPTANCE OF THE FOLLOWING TERMS AND CONDITIONS (UNLESS A SEPARATE LICENSE IS PROVIDED BY THE SUPPLIER OF APPLICABLE SOFTWARE IN WHICH CASE SUCH SEPARATE LICENSE SHALL APPLY). IF YOU DO NOT ACCEPT THESE TERMS, YOU MAY NOT INSTALL OR USE THIS SOFTWARE, AND YOU MUST PROMPTLY RETURN THE SOFTWARE TO THE LOCATION WHERE YOU OBTAINED IT.

---

**GRANT OF LICENSE:**

This is a legal agreement between you, the end-user (“You”), and TOSHIBA TEC Corporation (“TTEC”). This software, fonts (including their typefaces) and related documentation (“Software”) is licensed for use with TTEC MFP on which it was installed to the designated device you use (“System”) in accordance with the terms contained in this License Agreement. The copyright and other intellectual property rights, title and ownership of Software is proprietary and belonging to TTEC and its suppliers. TTEC disclaim responsibility for the installation and/or use of Software, and for the results obtained by using Software. You may use one copy of Software as installed on a single System, and may not copy Software for any reason except as necessary to use Software on a single System. Any copies of Software shall be subject to the conditions of this License Agreement. You may not, nor cause or permit any third party to, modify, adapt, merge, translate, reverse compile, reverse assemble, or reverse engineer Software. You may not use Software, except in accordance with this license. No title to the intellectual property in Software is transferred to you and full ownership is retained by TTEC and its suppliers. Source code of Software is not licensed to you. You may not perform modification, deletion, etc to the copyright notice of Software (including in duplicate). You will be held legally responsible for any copyright infringement, unauthorized transfer, reproduction or use of Software.

**TERM:**

This license is effective until terminated by TTEC or upon your failure to comply with any term of this License Agreement. Upon termination, you agree to destroy all copies of Software. You may terminate this license at any time by destroying Software and all copies.

**GB****DISCLAIMER OF WARRANTY:**

Software is provided "AS IS" without warranty of any kind, either express or implied, including, but not limited to, the implied warranties of merchantability, fitness for a particular purpose, title, and non-infringement. TTEC disclaims any warranty relating to the quality and performance of Software. If Software proves defective, You (and not TTEC) shall be responsible for the entire cost of all necessary servicing, repair or correction. TTEC does not warrant that the functions contained in Software will meet your requirements or that the operation of Software will be uninterrupted or error free.

**UPDATE AND DISCONTINUE:**

TTEC may update, upgrade and discontinue Software without any restriction.

**THIRD PARTY SOFTWARE:**

There are cases in which third party software is contained in Software (including future updated and upgraded versions). Such third party software is provided to you on different terms from those of this License Agreement, in the form of term stated in the License Agreement with the suppliers or the readme files (or files similar to readme files) separately from this License Agreement (“Separate Agreements, etc.”). When you use the third party software, you must comply with the term of the third party software stated in the Separate Agreements, etc. Except the term of the third party software, you must comply with the term stated in this License Agreement.

---

**LIMITATION OF LIABILITY:**

IN NO EVENT WILL TTEC BE LIABLE TO YOU FOR ANY DAMAGES, WHETHER IN CONTRACT, TORT, OR OTHERWISE (except personal injury or death resulting from negligence on the part of TTEC), INCLUDING WITHOUT LIMITATION ANY LOST PROFITS, LOST DATA, LOST SAVINGS OR OTHER INCIDENTAL, SPECIAL OR CONSEQUENTIAL DAMAGES ARISING OUT OF THE USE OR INABILITY TO USE SOFTWARE, EVEN IF TTEC OR ITS SUPPLIERS HAVE BEEN ADVISED OF THE POSSIBILITY OF SUCH DAMAGES, NOR FOR THIRD PARTY CLAIMS.

**U.S. GOVERNMENT RESTRICTED RIGHTS:**

The Software is provided with RESTRICTED RIGHTS. Use, duplication or disclosure by the U.S. Government is subject to restrictions set forth in subdivision (b)(3)(ii) or (c)(i)(ii) of the Rights in Technical Data and Computer Software Clause set forth in 252.227-7013, or 52.227-19 (c)(2) of the DOD FAR, as appropriate.

**GENERAL:**

You may not sublicense, lease, rent, assign or transfer this license or Software. Any attempt to sublicense, lease, rent, assign or transfer any of the rights, duties or obligations hereunder is void. You agree that you do not intend to, and will not ship, transmit, export or re-export (directly or indirectly) Software, including any copies of Software, or any technical information contained in Software or its media, or any direct product thereof, to any country or destination prohibited by government of Japan, the United States and the relevant country. This license shall be governed by the laws of Japan or, at the election of a Supplier of TTEC concerned with a dispute arising from or relating to this Agreement, the laws of the Country designated from time to time by the relevant Supplier of TTEC. If any provision or portion of this License Agreement shall be found to be illegal, invalid or unenforceable, the remaining provisions or portions shall remain in full force and effect.

YOU ACKNOWLEDGE THAT YOU HAVE READ THIS LICENSE AGREEMENT AND THAT YOU UNDERSTAND ITS PROVISIONS. YOU AGREE TO BE BOUND BY ITS TERMS AND CONDITIONS. YOU FURTHER AGREE THAT THIS LICENSE AGREEMENT CONTAINS THE COMPLETE AND EXCLUSIVE AGREEMENT BETWEEN YOU AND TTEC AND ITS SUPPLIERS AND SUPERSEDES ANY PROPOSAL OR PRIOR AGREEMENT, ORAL OR WRITTEN, OR ANY OTHER COMMUNICATION RELATING TO THE SUBJECT MATTER OF THIS LICENSE AGREEMENT.

Contractor/Manufacturer is TOSHIBA TEC Corporation, 1-11-1, Osaki, Shinagawa-ku, Tokyo, 141-8562, Japan

**■ Security Precautions**

In order to make correct use of this product's security function, first read the following precautions carefully. Be sure to assign administrators who have enough capability to sustain responsible management since significant privileges for managing and handling this equipment will be given them.

**□ To Administrators**

- To avoid physical security problems, such as hardware removal or inappropriate disassembly at the installation site, take all necessary measures, such as checking who enters and leaves the site.

- (Only for e-STUDIO2802A/2802AM/2802AF, e-STUDIO2303AM/2803AM, e-STUDIO2309A/2809A) When connecting this product with an outer network such as the Internet, only operate it in a network environment protected by a firewall, etc. to prevent information from being leaked due to incorrect settings or avoid illegal access by unauthorized users.
- (Only for e-STUDIO2802A/2802AM/2802AF, e-STUDIO2303AM/2803AM, e-STUDIO2309A/2809A) To prevent the configuration settings from being altered improperly or similar, before you use this product, change the administrator password set by factory default. Also, be sure periodically to change each password set for this product.
- (Only for e-STUDIO2802A/2802AM/2802AF, e-STUDIO2303AM/2803AM, e-STUDIO2309A/2809A) In order to make proper use of the network function and the department management function, be sure to read the TopAccess Guide and User's Guide first.  
(Only for e-STUDIO2303A) In order to make proper use of the department management function, be sure to read the User's Guide first.
- Be sure to understand the security policy and its procedure in your organization, and manage and operate this equipment according to the policy after first reading the operator's manual. Then explain the security instructions to general users who are authorized to use this equipment to let them conform to the security rule.
- Provide general users with the appropriate privilege of using this equipment and keep supervising its correct operation.
- (Only for e-STUDIO2802A/2802AM/2802AF, e-STUDIO2303AM/2803AM, e-STUDIO2309A/2809A) Always check if the network function or the department management function is enabled in order to maintain security. Should you happen to come across any abnormality, contact your service technician immediately. Refer to the TopAccess Guide and User's Guide for the checking method.  
(Only for e-STUDIO2303A) Always check if the department management function is enabled in order to maintain security. Should you happen to come across any abnormality, contact your service technician immediately. Refer to the User's Guide for the checking method.

## **□ To general users**

- After you have finished operating the equipment, be careful not to forget to remove any originals, printed paper or USB storage devices.
- (Only for e-STUDIO2802A/2802AM/2802AF, e-STUDIO2303AM/2803AM, e-STUDIO2309A/2809A) Change the password regularly. Make sure not to use any predictable number such as your birthday or employee ID number, and keep it secret.
- Do not leave the equipment during the performance of the job since your originals may be seen or the output paper could be taken by someone.

## **■ Notice to Users**

After a suitable place has been selected for the installation of the e-STUDIO2802A/2802AM/2802AF, the e-STUDIO2303A, the e-STUDIO2303AM/2803AM, or the e-STUDIO2309A/2809A, please do not change it. Avoid excessive heat, dust, vibration and direct sunlight. Also, provide proper ventilation as the copier emits a small amount of ozone.

The unit is classified as Class 1 Laser Product according to IEC60825-1:2007 including amendments.

The unit uses laser diodes with a max. output of 10 mW, a wavelength of 785 nm, pulse duration 1.25  $\mu$ s.

**CAUTION**

Use of controls or adjustments or performance of procedures other than those specified herein may result in hazardous radiation exposure.

**WARNING**

This is a Class A product. In a domestic environment this product may cause radio interference in which case the user may be required to take adequate measures.



Indicates that the products affixing this mark use laser and potential risk and hazard of eye or optic damage and/or skin burns if not avoided. Please follow the cautions described near this mark.



Indicates that the locations affixing this mark are high temperature and have potential risk and hazard of skin burns and/or relating damage if not avoided. Please do not touch the location and its peripheral area.

**For the U.S.A. only**

**FCC NOTICE**

This equipment has been tested and found to comply with the limits for a Class A digital device, pursuant to Part 15 of the FCC Rules. These limits are designed to provide reasonable protection against harmful interference when the equipment is operated in a commercial environment. This equipment generates, uses and can radiate radio frequency energy and, if not installed and used in accordance with the instruction manual, may cause harmful interference to radio communications. Operation of this equipment in a residential area is likely to cause harmful interference in which case the user will be required to correct the interference at his own expense.

**WARNING**

Changes or modification made to this equipment, not expressly approved by TOSHIBA TEC or parties authorized by TOSHIBA TEC, could void the user's authority to operate the equipment.



---

**User Safety**

This TOSHIBA Multifunctional Digital Systems does not produce laser radiation hazardous to the user. It is certified as a Class 1 laser product under the U.S Department of Health and Human Services (DHHS) Radiation Performance Standard according to the Radiation Control Health and Safety Act of 1968 including amendments.

Protective housing and external covers completely confine the laser beam light emitted inside the Multifunctional Digital Systems. The laser beam cannot escape from the machine during any phase of user operation.

Regulations implemented on August 2, 1976 by the Bureau of Radiological Health (BRH) of the U.S Food and Drug Administration apply to laser products manufactured from August 1, 1976. Laser products marketed in the United States must comply with these regulations.

**CAUTION**

Use of controls or adjustments or performance of procedures other than those specified herein may result in hazardous radiation exposure.

**For the U.S.A. and Canada****Regulatory Information**

Toshiba is dedicated to preserving the environment by sponsoring Call2Recycle, a program of the Rechargeable Battery Recycling Corporation. For more information and for drop-off locations, visit [www.rbrc.org](http://www.rbrc.org) or call 1-800-822-8837.

Notice regarding CR coin cell batteries, applicable to California, U.S.A. only: Perchlorate Material - special handling may apply.

See <http://www.dtsc.ca.gov/hazardouswaste/perchlorate/>

**California Proposition 65: USA-California only** **WARNING**

This product can expose you to Phthalate[s] known to the State of California to cause cancer, birth defects or other reproductive harm. For more information go to [www.P65Warnings.ca.gov/product](http://www.P65Warnings.ca.gov/product).

**For Canada only**

This Class A digital apparatus complies with Canadian ICES-003.

Cet appareil numérique de la classe A est conforme à la norme NMB-003 du Canada.

**GB**

---

## For the EU only

### Working environment

From EMC (Electromagnetic Compatibility) point of view, the operation of this product is being restricted in following environments:

- Medical Environments: This product is not certified as a medical product according to the Medical Product Directive 93/42/EEC.
- Domestic environments (e.g. a private living room with TV / Radio sets in the nearby surrounding area) because this is a so called EMC class A product. In a domestic environment this product may cause radio interference in which case the user may be required to take adequate measures!

Any consequences resulting from the use of this product in restricted working environments are not the responsibility of TOSHIBA TEC.

The consequences of the use of this product in restricted working environments may be an electromagnetic interference with other devices or machines in the nearby surrounding area. This can result into malfunction including data loss / data error pertaining to this product or the other devices / machines involved in the electromagnetic interference.

Furthermore, for general safety reasons, the use of this product in environments with explosive atmospheres is not permitted.

### CE compliance

This product is labelled with the CE mark in accordance with the provisions of the applicable European Directives, notably the Low Voltage Directive 2006/95/EC (before 2016-04-20), 2014/35/EU (after 2016-04-20), the Electromagnetic Compatibility Directive 2004/108/EC (before 2016-04-20), 2014/30/EU (after 2016-04-20), the RoHS Directive 2011/65/EU for this product and the electric accessories, the Radio Equipment and Telecommunications Terminal Equipment Directive 1999/5/EC for the telecommunication accessories.

CE marking is the responsibility of TOSHIBA TEC GERMANY IMAGING SYSTEMS GmbH, Carl-Schurz-Str. 7, 41460 Neuss, Germany, phone +49-(0)-2131-1245-0.

For a copy of the related CE Declaration of Conformity, please contact your dealer or TOSHIBA TEC.

### Warning:

This is a Class A product. In a domestic environment this product may cause radio interference in which case the user may be required to take adequate measures.

Following information is for EU-member states only:



This product is marked according to the requirement in EU-Directive on Waste electrical and electronic equipment - WEEE.

The use of the symbol indicates that this product may not be disposed as unsorted municipal waste and has to be collected separately. By ensuring this product is disposed of correctly, you will help prevent potential negative consequences for the environment and human health, which could otherwise be caused by inappropriate waste handling of this product.

For more detailed information about the take-back and recycling of this product please contact your supplier where you purchased the product.

---

Following information is for EU-member states only:



Disposal of batteries and/or accumulators based on EU-Directive on batteries and accumulators and waste batteries and accumulators.

By ensuring that batteries and/or accumulators are disposed of correctly, you will help prevent potential negative consequences for the environmental and human health, which could otherwise be caused by inappropriate waste handling of this product.

For more detailed information about the take-back and recycling of batteries and/or accumulators, please contact your supplier where you purchased this product.

This device is not intended for use in the direct field of view at visual display workplaces. To avoid incommoding reflections at visual display workplaces this device must not be placed in the direct field of view.

### For India only

Following information is only for India:



The use of the symbol indicates that this product may not be treated as household waste. By ensuring this product is disposed of correctly, you will help prevent potential negative consequences for the environment and human health, which could otherwise be caused by inappropriate waste handling of this product.

For more detailed information about the take-back and recycling of this product, please contact your supplier where you purchased the product.

**GB**

### For Argentina only

Following information is only for the province of Buenos Aires in Argentina:



La siguiente información es solo para Argentina

El uso de este símbolo indica que este producto no puede ser tratado como residuos domésticos.

Asegúrese que este producto se deseché correctamente, Usted ayudara a evitar posibles consecuencias negativas para el medio ambiente y la salud humana, que podrían derivarse de la incorrecta manipulación de este producto.

Para mas información sobre el reciclaje de este producto, consulte con nuestro.



---

### For Turkey only

Following information is only for Turkey:

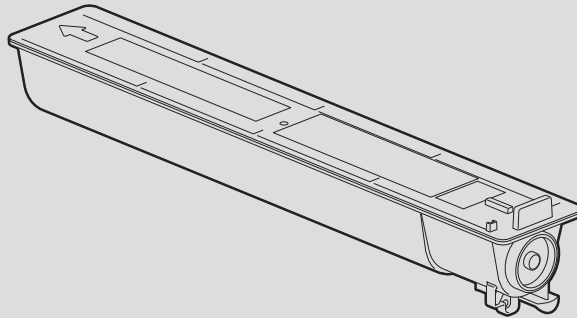
AEEE Yönetmeliğine Uygundur

### For China only

	Indicates that the products affixing this mark can be used in areas other than tropical climate area in China.
	Indicates that the products affixing this mark can be used in areas up to 2000 m above sea level in China.

## ■ Toshiba Quality is Second to None

It is recommended that genuine Toshiba supplies and parts be used to obtain optimum results. The following figure is the toner cartridge for e-STUDIO2802A/2802AM/2802AF.



**TOSHIBA**

**T-2802U**

FOR/POUR  
e-STUDIO2802AM/2802AF

COMPONENTS:  
Polyester resin,Carbon black(1333-86-4),Wax,  
Organic Metal Complex,Titanium dioxide,  
Amorphous Silica(7631-86-9)

**ORIGINAL & GENUINE TOSHIBA TONER**

NET 338 g

- HANDLE WITH CARE.
- STORE IN A DRY PLACE BELOW 35°C(95°F).
- READ THE OPERATING INSTRUCTIONS OF THE MACHINE BEFORE USING.
- DO NOT TOUCH THE METAL CONTACT ON THE CIRCUIT BOARD.

**TOSHIBA TEC CORPORATION**

Gate City Ohsaki West Tower, 1-11-1, Osaki,  
Shinagawa-ku, Tokyo, 141-8562, Japan  
TEL +81-3-6830-9100  
MADE IN CHINA / FABRIQUE EN CHINE

- MANIPULER AVEC PRECAUTION.
- GARDER DANS UN ENDROIT SANS HUMIDITE OU LA TEMPERATURE AMBIANTE EST MOINS DE 35°C.
- LIRE LE MANUEL D'EMPLOI DE L'APPAREIL AVANT D'EN FAIRE USAGE.
- NE PAS TOUCHER LA PIECE METALLIQUE SUR LE TABLEAU DE CIRCUITS.



Patent : <http://www.toshibatec.co.jp/en/patent/>

**TOSHIBA**

**T-2802E**

FOR/POUR/FÜR/DA/PARA  
e-STUDIO2802AM/2802AF

COMPONENTS:  
Polyester resin,Carbon black(1333-86-4),Wax,  
Organic Metal Complex,Titanium dioxide,  
Amorphous Silica(7631-86-9)

**ORIGINAL & GENUINE TOSHIBA TONER**

● SHAKE WELL BEFORE USING.

● AGITER AVANT EMPLOI.

● VOR GEBRAUCH GUT SCHÜTTELN.

● AGITARE BENE PRIMA DELL'USO.

● SACUDIR BIEN ANTES DE USER.

● DO NOT TOUCH THE METAL CONTACT ON THE CIRCUIT BOARD.

● NE PAS TOUCHER LES CONTACTS METALLIQUES DU CIRCUIT IMPRIME.

● NON TOCCARE IL PEZZO DI METALLO NELLA SCHEDA DEI CIRCUITI.

● DAS METALLSTÜCK AUF DER STROMKREISTAFEL NICHT BERÜHREN.

● NO TOCAR LA PIEZA METALICA EN EL TABLERO DE CIRCUITOS.

**TOSHIBA TEC CORPORATION**

Gate City Ohsaki West Tower, 1-11-1, Osaki,  
Shinagawa-ku, Tokyo, 141-8562, Japan  
TEL +81-3-6830-9100  
MADE IN CHINA / FABRIQUE EN CHINE  
HERGESTELLT IN CHINA  
HECHO EN CHINA / FATTO IN CHINA



PAT. P.

**TOSHIBA**

**T-2802P**

FOR/POUR  
e-STUDIO2802A/2802AM/2802AF

COMPONENTS:  
Polyester resin,Carbon black(1333-86-4),Wax,  
Organic Metal Complex,Titanium dioxide,  
Amorphous Silica(7631-86-9)

**ORIGINAL & GENUINE TOSHIBA TONER**

NET 338 g

■ HANDLE WITH CARE.

■ STORE IN A DRY PLACE BELOW 35°C(95°F).

■ READ THE OPERATING INSTRUCTIONS OF THE MACHINE BEFORE USING.

■ DO NOT TOUCH THE METAL CONTACT ON THE CIRCUIT BOARD.

■ MANIPULER AVEC PRECAUTION.

■ GARDER DANS UN ENDROIT SANS HUMIDITE OU LA TEMPERATURE AMBIANTE EST MOINS DE 35°C.

■ LIRE LE MANUEL D'EMPLOI DE L'APPAREIL AVANT D'EN FAIRE USAGE.

■ NE PAS TOUCHER LA PIECE METALLIQUE SUR LE TABLEAU DE CIRCUITS.

**TOSHIBA TEC CORPORATION**

Gate City Ohsaki West Tower, 1-11-1, Osaki,  
Shinagawa-ku, Tokyo, 141-8562, Japan  
TEL +81-3-6830-9100  
MADE IN CHINA / FABRIQUE EN CHINE



PAT. P.

**GB**

---

## ❑ Supplies / Parts

- **Dependability**  
Genuine Toshiba supplies are subjected to the strictest of inspections so that every supply you receive will perform at optimal levels.
- **High Productivity**  
Genuine Toshiba supplies are created to meet the demands of our competitive world and provide highspeed reliable copies when you need them.
- **Stable Image Quality**  
Genuine Toshiba supplies are designed to provide consistently stable image output.
- **Copier-friendly Supplies**  
Genuine Toshiba supplies are designed to help to keep the copier and all its parts in troublefree working order. Reduction of machine wear is due to Toshiba's intimate knowledge of the copier's characteristics, ensuring the highest standard of care.
- **Perfectly Suited Supplies**  
From the beginning Toshiba supplies and machines were made for each other. Whenever Toshiba designs a new machine, it also designs a new toner that is made just for that machine. By using Genuine Toshiba supplies with Toshiba copiers, you are guaranteed optimum performance.

## ❑ Toner

- **Optimum Image Quality**  
Toshiba toner is manufactured using ultra-fine quality materials under precisely controlled conditions to ensure that your Toshiba copiers will continually generate sharp high-quality images.
- **Cost Advantage**  
Genuine Toshiba toner provides value. Only the proper amount of toner is used during the reproduction process, thereby enabling the machine to continue to operate until all the toner has been used. In this way you get the full value from each cartridge used.
- **Environmental Harmony**  
Genuine Toshiba toner is manufactured with the environment in mind. To protect our planet for the benefit of future generations, we use embossed or plastic labels, making our toner cartridges fully recyclable. In addition, dust and ozone levels have been reduced to improve the working environment.
- **User Friendly**  
Before approving our toners for sale, we test them to be sure that they pass the strictest of health standards. This takes all the worry out of handling the toner.

## ❑ General

- **Service and Support Benefits**  
Toshiba's Service technicians are certified to keep your copier performing at optimum levels. To ensure continuous image quality, utilize an authorized Toshiba Service provider to care for and perform periodical maintenance on your copier.

---

## ■ How to read this manual

### □ Symbols in this manual

In this manual, some important items are described with the symbols shown below. Be sure to read these items before using this equipment.

#### **WARNING**

Indicates a potentially hazardous situation which, if not avoided, could result in death, serious injury, or serious damage, or fire in the equipment or surrounding objects.

#### **CAUTION**

Indicates a potentially hazardous situation which, if not avoided, may result in minor or moderate injury, partial damage to the equipment or surrounding objects, or loss of data.

#### **Note**

Indicates information to which you should pay attention when operating the equipment.

Other than the above, this manual also describes information that may be useful for the operation of this equipment with the following signage:

#### **Tip**

Describes handy information that is useful to know when operating the equipment.



Pages describing items related to what you are currently doing. See these pages as required.

**GB**

## ■ General Precautions

### □ When installing or moving

#### **WARNING**

##### **For the U.S.A. and Canada**

Multifunctional Digital Systems require 120 V, 12 A, 50/60 Hz electric power.

##### **For the EU**

Multifunctional Digital Systems require 220 to 240 V AC, 8 A, 50/60 Hz electric power.

##### **Except the U.S.A., Canada and the EU**

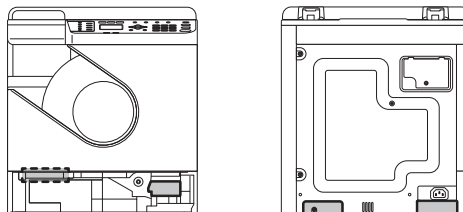
Multifunctional Digital Systems require 220 to 240 V AC, 8 A, 50/60 Hz electric power.

- Do not use a power supply with a voltage other than that specified.  
Avoid multiple connections in the same outlet. This could cause a fire or give you an electric shock. If you are considering increasing the number of outlets, contact an electrician.
- Always connect this Multifunctional Digital Systems to an outlet with a ground connection to avoid the danger of fire or electric shock in case of short-circuiting. Contact your service representative for the details. Be sure to use a 3-conductor, grounded wall outlet.  
In areas, except the U.S. and Canada, where a 2-pin plug is used, the Multifunctional Digital Systems must be grounded for safety. Never ground it to a gas pipe, a water pipe, or any other object not suitable for grounding.
- Plug the power cord securely into the outlet. If it is not plugged in properly, it could heat up and cause a fire or give you an electric shock.

- 
- Do not damage, break or attempt to repair the power cord.  
The following things should not be done to the power cord.
    - Twisting it
    - Bending it
    - Pulling it
    - Placing anything on it
    - Heating
    - Situating it near radiators or other heat sourcesThis could cause a fire or give you an electric shock. If the power cord is damaged, contact your service representative.
  - Do not install the equipment by yourself or try to move it once it has been installed. This could result in an injury or damage to the device. Contact your service representative if the equipment needs to be installed or moved.
  - The socket outlet shall be near the equipment and be easily accessible.
  - Pull out the plug from the outlet more than once a year to clean around the prongs.  
Accumulating dust and dirt could cause a fire due to the heat released by electric leakage.

## CAUTION

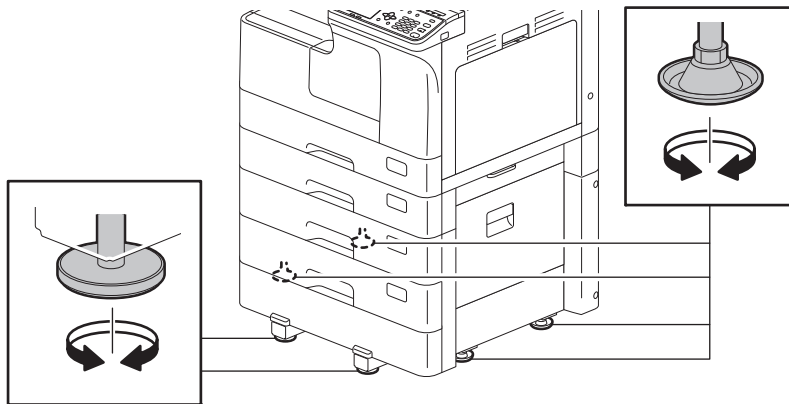
- Avoid placing the equipment in a place unsuitable for its weight and also make sure the surface is level. Remember that if the equipment falls over, serious injuries could result.  
Weight of the equipment is as follows;
  - e-STUDIO2802A: approx. 19.5 kg (43.0 lb.)
  - e-STUDIO2802AM: approx. 24.0 kg (52.9 lb.)
  - e-STUDIO2802AF: approx. 24.5 kg (54.0 lb.)
  - e-STUDIO2303A: approx. 24.3 kg (53.6 lb.)
  - e-STUDIO2303AM/2803AM: approx. 24.3 kg (53.6 lb.)
  - e-STUDIO2309A/2809A: approx. 25.0 kg (55.1 lb.)
- (**e-STUDIO2802A/2802AM/2802AF**) When moving the equipment, pull out the drawer and then have two or more persons hold the portions indicated below. If not, this could cause malfunctioning or an injury.



- When removing the plug from the outlet, do not pull the power cord. Always hold the plug when removing it from the outlet. If the power cord is pulled, the wires may break and this could cause a fire or give you an electric shock.
- Make sure that the ventilation holes are not blocked.  
If the temperature within the Multifunctional Digital Systems becomes too high, a fire could result.
- When connecting the interface cable to the equipment, be sure to turn the power OFF. If the power is not turned off, you could get an electric shock.



- (e-STUDIO2309A/2809A) The Paper Feed Pedestal has 6 adjusters (antiskid devices) underneath. After the equipment has been moved and installed, be sure to turn and lower them to fix it. Then fix the fall-prevention stoppers.



**⚠ WARNING**

Do not install the equipment by yourself or try to move it once it has been installed. This could result in an injury or damage to the device. Contact your service representative if the equipment needs to be installed or moved.

**GB**

**Other points**

- The socket outlet shall be installed near the equipment and shall be easily accessible.
- If there is insufficient space around the equipment, the poor ventilation will result in malfunction, also some operations such as bypass feeding and releasing paper misfeeds may become difficult. To ensure adequate space, follow the table below as a guide.

Adequate space		
Rear	Left	Right
20 cm (7.9")	30 cm (11.8")	80 cm (31.5")

- Be sure to fix the power cable securely so that no one trips over it.
- Adverse environmental conditions may affect the safe operation and performance of the Multifunctional Digital Systems, and the Multifunctional Digital Systems could break down.
  - Avoid locations near windows or with exposure to direct sunlight.
  - Avoid locations with drastic temperature fluctuations.
  - Avoid too much dust.
  - Avoid locations that suffer from vibration.
- Make sure that the air is able to flow freely and that there is sufficient ventilation. Without adequate ventilation, the unpleasant odor released by ozone will begin to dominate the atmosphere.

## □ When using the Multifunctional Digital Systems

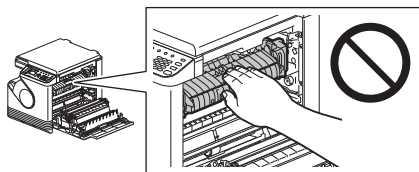
### ⚠ WARNING

- Do not take off the cover of the equipment; otherwise you could be injured or get an electric shock.
- Do not remove or connect the plug with wet hands, as this could give you an electric shock.
- Do not place any container with liquid (flower vases, coffee cups, etc.) on or near the equipment.  
This could cause a fire or give you an electric shock.
- Keep paper clips and staples away from the air vent. If not, a fire could result or you could get an electric shock.
- If the Multifunctional Digital Systems becomes excessively hot, smoke comes out of it or there is an odd smell or noise, proceed as follows.  
Turn the main power switch OFF and remove the plug from the outlet, then contact your service representative.
- If the Multifunctional Digital Systems will not be used for more than one month, remove the plug from the outlet for safety purposes during that time. If an insulation failure occurs, this could cause a fire or give you an electric shock.
- Do not touch any portions other than those specified in the Operator's Manual. This could cause a malfunction, or you could get an electric shock, be injured or burned.

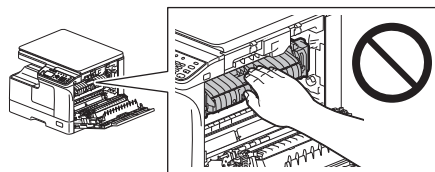
### ⚠ CAUTION

- Do not place heavy objects (4 kg/9 lb. or more) on the original glass and do not press on it with force. Breaking the glass could cause personal injury.
- Do not place heavy objects (4 kg/9 lb. or more) on the Multifunctional Digital Systems. If the objects fall off, this could cause injury.
- (e-STUDIO2802A/2802AM/2802AF) Be sure to hold the drawer with both hands and be careful not to let it fall when removing or installing it. If you drop it, it could injure you.
- Be careful not to catch your fingers when closing the drawer. This could cause an injury.
- Do not touch the fuser unit or the metal area around it. Since they are very hot, you could be burned or the shock could cause you to injure your hand in the machine.

e-STUDIO2802A/2802AM/2802AF

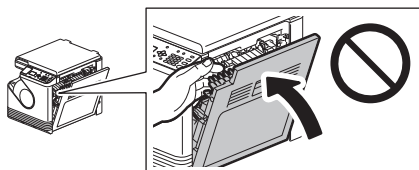


e-STUDIO2303A/2303AM/2803AM/2309A/2809A

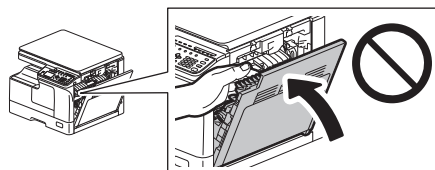


- Be careful not to catch your fingers between the equipment and the side cover. This could cause an injury.

e-STUDIO2802A/2802AM/2802AF



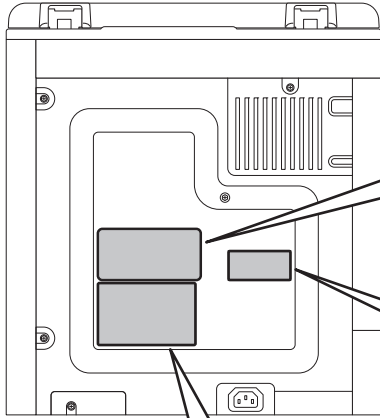
e-STUDIO2303A/2303AM/2803AM/2309A/2809A



- When you open or close the Automatic Document Feeder or Reversing Automatic Document Feeder, be careful not to catch your fingers between its rear side and the equipment. This could injure you.
- Do not use the pulled out drawers as steps. This could injure you if you fall.

Position of certification labels, etc.

e-STUDIO2802A/2802AM/2802AF



Explanatory label



Certification label (For the U.S.A. and Canada)



Identification label

<p>For the U.S.A. and Canada</p> <p><b>TOSHIBA</b> MULTIFUNCTIONAL DIGITAL SYSTEMS /SYSTEME MULTIFONCTION NUMERIQUE e-STUDIO2802AM MODEL/MODELE DP-2802AM 120V ~ 50/60Hz 12A NO.</p> <p> <small>complies with UL 60950-1 CSA C22.2 No.60950-1</small></p> <p><b>TOSHIBA TEC CORPORATION</b> TC MADE IN CHINA/FABRIQUE EN CHINE</p>	<p>For the EU</p> <p><b>TOSHIBA</b> MULTIFUNCTIONAL DIGITAL SYSTEMS /SYSTEME MULTIFONCTION NUMERIQUE e-STUDIO2802AM MODEL/MODELE DP-2802AM 220-240V ~ 50/60Hz 8A NO.</p> <p> </p> <p><b>TOSHIBA TEC CORPORATION</b> TC MADE IN CHINA/FABRIQUE EN CHINE</p>
--	--

GB

Warning label

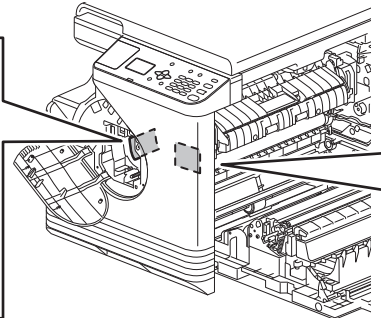
危険-ドラムユニットを開放し光学ユニットを開けたら必ずアレイユニットを無効にするためにクラス3Bの安全レーザー放射の危険を回避してください。

DANGER-CLASS 3B INVISIBLE LASER RADIATION WHEN OPTICAL UNIT OPEN OR DRUM UNIT REMOVED AND INTERLOCK DEFEATED. AVOID DIRECT EXPOSURE TO BEAM.

VORSICHT-KLASSE 3B UNSICHTBARE LASERSTRAHLUNG, WENN DIE ABSCHLÜSSUNG GEÖFFNET ODER DIE TROMMEL ENTFERNT UND DIE VERBIEGELUNG UNWIRKSAM GEMACHT WIRD. NICHT DIREKT DEM STRAHLEN AUSSETZEN.

DANGER-CLASSE 3B RAYON LASER INVISIBLE LORSQUE LE BLOC OPTIQUE EST OUVERT, LE TAMBOUR RETIRE ET LE VERROUILLAGE HORS D'USAGE. EVITER L'EXPOSITION DIRECTE AU RAYON.

PELIGRO-RADIACION INVISIBLE DE LASER CLASE 3B CUANDO LA UNIDAD OPTICA ESTA ABIERTA O LA UNIDAD DEL CILINDRO ES RETIRADA Y CUANDO EL INTERRUPTOR DE SEGURIDAD ESTA DE SACTIVADO. EVITE EXPOSICION DIRECTA AL RAYO.



Warning label

危険-ドラムユニットを開放し光学ユニットを開けたら必ずアレイユニットを無効にするためにクラス3Bの安全レーザー放射の危険を回避してください。

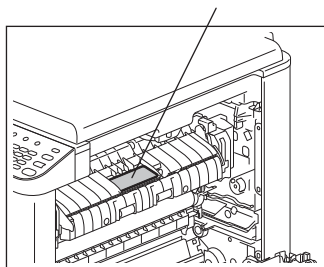
DANGER-CLASS 3B INVISIBLE LASER RADIATION WHEN OPTICAL UNIT OPEN OR DRUM UNIT REMOVED AND INTERLOCK DEFEATED. AVOID DIRECT EXPOSURE TO BEAM.

VORSICHT-KLASSE 3B UNSICHTBARE LASERSTRAHLUNG, WENN DIE ABSCHLÜSSUNG GEÖFFNET ODER DIE TROMMEL ENTFERNT UND DIE VERBIEGELUNG UNWIRKSAM GEMACHT WIRD. NICHT DIREKT DEM STRAHLEN AUSSETZEN.

DANGER-CLASSE 3B RAYON LASER INVISIBLE LORSQUE LE BLOC OPTIQUE EST OUVERT, LE TAMBOUR RETIRE ET LE VERROUILLAGE HORS D'USAGE. EVITER L'EXPOSITION DIRECTE AU RAYON.

PELIGRO-RADIACION INVISIBLE DE LASER CLASE 3B CUANDO LA UNIDAD OPTICA ESTA ABIERTA O LA UNIDAD DEL CILINDRO ES RETIRADA Y CUANDO EL INTERRUPTOR DE SEGURIDAD ESTA DE SACTIVADO. EVITE EXPOSICION DIRECTA AL RAYO.

Warning for high temperature area (Fuser unit)




# e-STUDIO2303A/2303AM/2803AM/2309A/2809A

## Identification label

For the U.S.A. and Canada

**TOSHIBA**  
 MULTIFUNCTIONAL DIGITAL SYSTEMS  
 /SYSTEME MULTIFONCTION NUMERIQUE e-STUDIO2809A  
 MODEL/MODELE DP-2809A  
 120V ~  
 50/60Hz 12A  
 NO.




 complies with  
 UL 60950-1  
 CSA C22.2 No.60950-1

**TOSHIBA TEC CORPORATION** TC  
 MADE IN CHINA/FABRIQUE EN CHINE

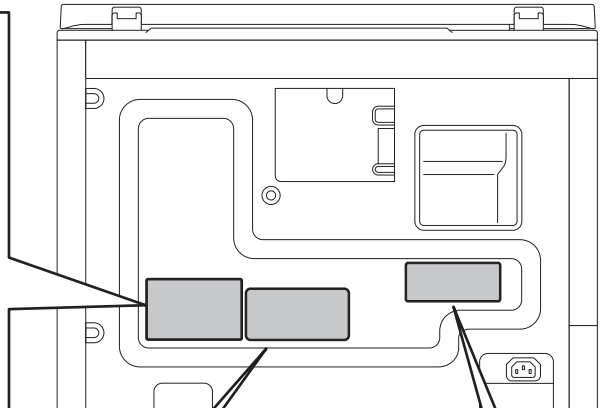
---

For the EU

**TOSHIBA**  
 MULTIFUNCTIONAL DIGITAL SYSTEMS  
 /SYSTEME MULTIFONCTION NUMERIQUE e-STUDIO2809A  
 MODEL/MODELE DP-2809A  
 220-240V ~  
 50/60Hz 8A  
 NO.

**TOSHIBA TEC CORPORATION** TC  
 MADE IN CHINA/FABRIQUE EN CHINE



## Explanatory label

**CLASS 1 LASER PRODUCT**  
 APPAREIL À LASER DE CLASSE 1  
 LASER KLASSE 1  
 PRODUCTO DE LASER DE CLASE 1  
 クラス1レーザー製品

>PS<

## Certification label (For the U.S.A. and Canada)

Product is certified by the manufacturer to comply with DHHS Rule 21 CFR subchapter J applicable at the date of Manufacture.

Manufactured: TS

**TOSHIBA TEC CORPORATION**  
 1-11-1, OSAKI, SHINAGAWA-KU, TOKYO, 141-8562, JAPAN

## Warning label

 >PS<

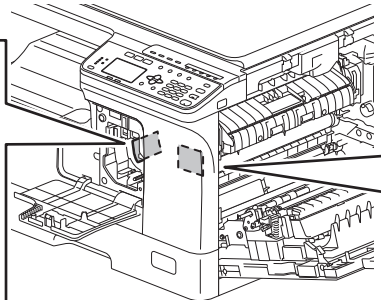
危険-ドラムユニットを外したり光学ユニットを開けたときトアスイッチを無効にするクラス3Bの不可視レーザー放射の恐れあり。ビームの直接曝露を避けよ。

DANGER-CLASS 3B INVISIBLE LASER RADIATION WHEN OPTICAL UNIT OPEN OR DRUM UNIT REMOVED AND INTERLOCK DEFEATED. AVOID DIRECT EXPOSURE TO BEAM.

VORSICHT-KLASSE 3B UNSICHTBARE LASERSTRAHLUNG, WENN DIE ABDECKUNG GEÖFFNET ODER DIE TROMMEL ENTFERNT UND DIE VERBIEGELUNG UNWIRKSAM GEMACHT WIRD. NICHT DIREKT DEM STRAHL AUSSETZEN.

DANGER-CLASSE 3B RAYON LASER INVISIBLE LORSQUE LE BLOC OPTIQUE EST OUVERT, LE TAMBOUR PRELÈVE ET LE VERROUILLAGE HORS D'USAGE. ÉVITER L'EXPOSITION DIRECTE AU RAYON.

PELIGRO-RADIACION INVISIBLE DE LASER CLASE 3B CUANDO LA UNIDAD OPTICA ESTA ABIERTA O LA UNIDAD DEL CILINDRO ES RETIRADA Y CUANDO EL INTERRUPTOR DE SEGURIDAD ESTA DE SACTIVADO. EVITE EXPOSICION DIRECTA AL RAYO.



## Warning label

 >PS<

危険-ドラムユニットを外したり光学ユニットを開けたときトアスイッチを無効にするクラス3Bの不可視レーザー放射の恐れあり。ビームの直接曝露を避けよ。

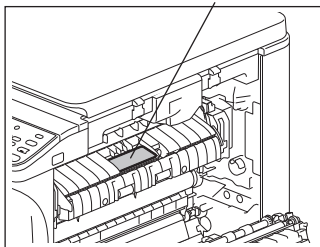
DANGER-CLASS 3B INVISIBLE LASER RADIATION WHEN OPTICAL UNIT OPEN OR DRUM UNIT REMOVED AND INTERLOCK DEFEATED. AVOID DIRECT EXPOSURE TO BEAM.

VORSICHT-KLASSE 3B UNSICHTBARE LASERSTRAHLUNG, WENN DIE ABDECKUNG GEÖFFNET ODER DIE TROMMEL ENTFERNT UND DIE VERBIEGELUNG UNWIRKSAM GEMACHT WIRD. NICHT DIREKT DEM STRAHL AUSSETZEN.

DANGER-CLASSE 3B RAYON LASER INVISIBLE LORSQUE LE BLOC OPTIQUE EST OUVERT, LE TAMBOUR PRELÈVE ET LE VERROUILLAGE HORS D'USAGE. ÉVITER L'EXPOSITION DIRECTE AU RAYON.

PELIGRO-RADIACION INVISIBLE DE LASER CLASE 3B CUANDO LA UNIDAD OPTICA ESTA ABIERTA O LA UNIDAD DEL CILINDRO ES RETIRADA Y CUANDO EL INTERRUPTOR DE SEGURIDAD ESTA DE SACTIVADO. EVITE EXPOSICION DIRECTA AL RAYO.

## Warning for high temperature area (Fuser unit)

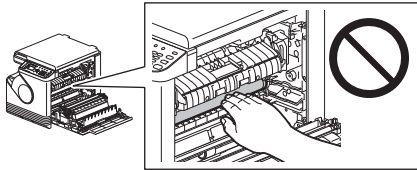


---

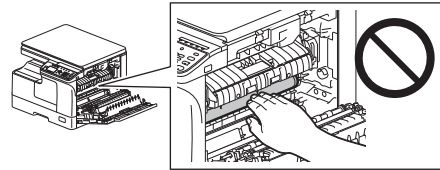
## Other points

- Do not turn the power OFF with misfed paper remaining inside the equipment. This could cause a malfunction when the power is turned ON next time.
- Be sure to turn the power OFF when leaving the office or if there is a power outage. However, do not turn the power OFF if the weekly timer is in use.
- Be careful because the paper exit area and paper just after exiting are hot.
- Do not place anything other than paper on the receiving tray. This could disturb a normal operation and cause malfunctions.
- Do not touch the photoconductive drum. This could cause image problems.

e-STUDIO2802A/2802AM/2802AF



e-STUDIO2303A/2303AM/2803AM/2309A/2809A



- Do not open/close the covers and the bypass tray, or pull out the drawers during printing.

## □ During maintenance or inspection

### ⚠ WARNING

- Never attempt to repair, disassemble or modify the Multifunctional Digital Systems by yourself. You could cause a fire or get an electric shock. Always contact your Service representative for maintenance or repair of the internal parts of the Multifunctional Digital Systems.
- Do not let liquids such as water and oil get into the system when cleaning the floor. This could cause a fire and give you an electric shock.

### ⚠ CAUTION

- Always keep the plug and outlet clean. Prevent them from accumulating dust and dirt. This could cause a fire and give you an electric shock due to the heat released by electric leakage.

## Other points

- Do not use such solvents as thinner or alcohol when cleaning the surface of the Multifunctional Digital Systems.
  - This could warp the shape of the surface or leave it discolored.
  - When using a chemical cleaning pad to clean it, pay attention to any cautionary points.

## □ When handling supplies

### ⚠ CAUTION

- Never attempt to incinerate toner cartridges. Dispose of used toner cartridges in accordance with local regulations.

## Other points

- Read the operator's manual carefully to replace the toner cartridge using the correct procedure. An improper procedure could cause toner leakage or scattering.
- Do not open the toner cartridge forcibly. This could cause toner leakage or scattering.

- 
- Keep the toner cartridge out of the reach of children.
  - If toner is spilt on your clothes, wash it off with cold water. If you use warm water, your clothes will be permanently stained with toner because it will not come out .
  - If toner leaks from the toner cartridge, be careful not to inhale or touch it.

#### **First-aid measures**

If you inhale or touch toner, etc; carry out the following treatment.

- Inhalation: Remove from exposure area to fresh air immediately. Contact a physician if there is any difficulty in breathing or other signs of distress.
- Skin Contact: Wash with soap and water. Wash clothing before reuse. If irritation occurs or is persistent, seek medical attention.
- Eye Contact: Immediately flush eyes with plenty of water for at least 15 minutes. If irritation persists, call a physician.
- Ingestion: Dilute stomach contents with several glasses of water.

## ■ Environmental Information

### □ ENERGY STAR® Program

Toshiba Tec Corporation, as a member of the ENERGY STAR Program, attaches the ENERGY STAR logo to all products which meet the ENERGY STAR Program requirements.



The ENERGY STAR Program aims at the promotion of the development and wider usage of office equipment including energy-efficient computers in order to address environmental issues such as global warming. Manufacturers that participate in this program can attach the ENERGY STAR logo to products after confirming that they meet the energy saving standards of this program. Also, these standards and logo are commonly used within the U.S. Environmental Protection Agency (EPA) and participating countries.

Specified products, sales countries or regions may not be included.

To distinguish whether or not the product meets the ENERGY STAR Program requirements, check if the corresponding logo is on the product.

If you have any questions, contact your service representative.

# Sicherheitsinformationen

---

## ■ Vorwort

Wir danken Ihnen für den Kauf dieses digitalen Multifunktionssystems von TOSHIBA. Die Sicherheitshinweise beschreiben Sicherheitsvorkehrungen für die Benutzung dieses Systems.

Lesen Sie diese Broschüre, bevor Sie das System benutzen. Die Modellnamen sind regional unterschiedlich.

Die folgende Tabelle zeigt den Bezug zwischen dem Modellnamen an der Vordertür des Systems und dem Namen auf dem Typenschild.

Modellname auf der Vordertür	Modellname auf dem Typenschild
e-STUDIO2802A/2802AM/2802AF	DP-2802A/2802AM/2802AF
e-STUDIO2303A	DP-2303A
e-STUDIO2303AM/2803AM	DP-2303AM/2803AM
e-STUDIO2309A/2809A	DP-2309A/2809A

Wird eine bestimmte Modellbezeichnung angegeben, gilt der Hinweis nur für das entsprechende Modell. Ansonsten für alle oben angegebenen Modelle.

Beispiel:

**e-STUDIO2309A/2809A:** Dieser Hinweis bezieht sich auf die e-STUDIO2309A/2809A.

## □ Handelsmarken

Die in diesem Handbuch oder in der Software genannten Firmen- und Produktnamen sind Handelsmarken ihrer jeweiligen Eigentümer.

DE

## □ Haftungsbegrenzung

Nachstehend finden Sie Hinweise zum Haftungsausschluss und zu Haftungsbeschränkungen der TOSHIBA TEC CORPORATION (auch für ihre Mitarbeiter, Erfüllungsgehilfen und Sublieferanten) gegenüber Käufern oder Benutzern ('Benutzer') des Systems e-STUDIO2802A/2802AM/2802AF, e-STUDIO2303A, e-STUDIO2303AM/2803AM oder e-STUDIO2309A/2809A, einschließlich Zubehör, Optionen und Softwarepakete ('Produkt').

1. Der Ausschluss und die Begrenzung der Haftung, die das Thema dieser Bestimmungen bilden, gelten in dem höchst möglichen, vom Gesetz zulässigen Rahmen. Um Zweifel auszuschließen, wird festgehalten, dass keine Bestimmung in diesen Hinweisen die Haftung von TOSHIBA TEC CORPORATION für Tod oder Verletzungen ausschließen oder begrenzen, sofern diese durch Fahrlässigkeit von TOSHIBA TEC CORPORATION oder betrügerische Falscherklärungen von TOSHIBA TEC CORPORATION verursacht wurden.
2. Alle Garantien, Bedingungen und anderen Bestimmungen, die vom Gesetz impliziert werden, sind im höchst möglichen, vom Gesetz zulässigen Ausmaß ausgeschlossen, und es werden keinerlei solche implizite Garantien gegeben oder für die Produkte anwendbar gemacht.

- 
3. TOSHIBA TEC CORPORATION haftet nicht für Verlust, Kosten, Aufwendungen, Ansprüche oder Schäden, die auf eine der folgenden Ursachen zurückzuführen sind:
- (a) Benutzung oder Umgang mit dem Produkt auf eine andere als in den Anleitungen, unter anderem auch in den Bedienungsanleitungen und weiteren Handbüchern festgehaltene Art sowie fehlerhafte oder unvorsichtige Bedienung oder Verwendung des Produkts;
  - (b) Eine Ursache, die den fehlerfreien Betrieb oder die problemlose Benutzung des Produkts verhindert und zurückzuführen ist auf Handlungen, Unterlassungen, Ereignisse oder Unfälle, die sich der angemessenen Kontrolle von TOSHIBA TEC CORPORATION entziehen, unter anderem auch Höhere Gewalt, Krieg, Aufstand, Rebellion, zivile Unruhen, böswillige oder absichtliche Beschädigung, Brand, Überschwemmung, Sturm, Naturkatastrophen, Erdbeben, Schwankungen der Stromspannung oder andere Katastrophen;
  - (c) Hinzufügungen, Veränderungen, Demontage, Transport oder Reparatur durch nicht befugte Personen außer den von TOSHIBA TEC CORPORATION zugelassenen Wartungstechnikern; oder
  - (d) Verwendung von Papier, Betriebsstoffen oder Ersatzteilen, die nicht von TOSHIBA TEC CORPORATION empfohlen werden.
4. Unter Ansehung des Absatzes 1 ist TOSHIBA TEC CORPORATION gegenüber dem Kunden nicht haftbar für:
- (a) Entgangener Profit; entgangener Umsatz, Verlust oder Rufschädigung, Produktionsausfall, Verlust erwarteter Einsparungen, Verlust von Goodwill oder geschäftlichen Möglichkeiten, Verlust von Kunden, Verlust von Software oder ihrer Benutzbarkeit, Verlust von Daten oder ihrer Benutzbarkeit, Verlust von Verträgen; oder
  - (b) Spezielle, Begleit-, Folge- oder indirekte Verluste oder Schäden, Kosten, Aufwendungen, finanzielle Einbußen oder Ansprüche auf Entschädigung für Schadensfolgen;

in welcher Form oder Höhe auch immer, die sich wegen des Produkts oder in Verbindung damit, aufgrund seiner Benutzung oder seines Betriebs ergeben, auch wenn TOSHIBA TEC CORPORATION über die Möglichkeit solcher Schäden in Kenntnis gesetzt wurde.

TOSHIBA TEC CORPORATION ist nicht haftbar für Verluste, Kosten, Aufwendungen, Ansprüche oder Schäden, die durch die aufgrund der Verwendung des Produkts entstandene Unbenutzbarkeit (unter anderem auch Ausfall, Störung, Fehlfunktion, Absturz, Virusinfektion oder andere Probleme) von Hardware, Gütern oder Software entstehen, die TOSHIBA TEC CORPORATION weder direkt noch indirekt geliefert hat.

## ■ ENDANWENDER SOFTWARE LIZENZVEREINBARUNG

MIT DER INSTALLATION ODER SONSTIGEN NUTZUNG DIESER SOFTWARE ERKLÄREN SIE IHR EINVERSTÄNDNIS MIT DEN NACHSTEHENDEN BEDINGUNGEN (SOFERN NICHT EINE BESONDERE LIZENZ VOM ANBIETER DER ANWENDBAREN SOFTWARE BEREITGESTELLT WIRD, DA IN DIESEM FALL DIESE SEPARATE LIZENZ GILT). WENN SIE DIESE BEDINGUNGEN NICHT AKZEPTIEREN, DÜRFEN SIE DIESE SOFTWARE NICHT INSTALLIEREN ODER BENUTZEN UND MÜSSEN SIE UNVERZÜGLICH AN DEN ORT ZURÜCKBRINGEN, AN DEM SIE SIE BEKOMMEN HABEN.



---

## LIZENZERTEILUNG:

Dies ist ein rechtsgültiger Vertrag zwischen Ihnen, dem Endbenutzer ("Sie"), und TOSHIBA TEC Corporation ("TTEC") und ihren Lieferanten. Diese Software, die Schriften (Fonts, einschließlich der diversen Ableitungen dieser Fonts) und die begleitende Dokumentation ("Software") werden gemäß den Bestimmungen in der vorliegenden Vereinbarung für die Nutzung auf dem TTEC-Multifunktionssystem lizenziert, auf der sie installiert werden ("System"). Das Urheberrecht und weitere Rechte des geistigen Eigentums, Name und Eigentum der Software sind geschützt und gehören TTEC oder ihren Lieferanten. TTEC ist nicht verantwortlich für die Installation und/oder die Verwendung dieser Software und für die mit dieser Software erhaltenen Ergebnisse. Sie können eine Kopie der Software in der installierten Version auf einem einzigen System nutzen und dürfen die Software nur für den Zweck kopieren, um sie auf einem einzigen System nutzen zu können. Alle Kopien der Software unterliegen den Bestimmungen der vorliegenden Lizenzvereinbarung. Folgendes ist Ihnen sowie von Ihnen beauftragten oder mit Ihrer Zustimmung handelnden Personen verboten: modifizieren, adaptieren, fusionieren, übersetzen, dekompileieren, deassemblieren oder zurückentwickeln der Software. Sie dürfen diese Software nur gemäß den Bestimmungen dieser Lizenz benutzen. Ihnen wird am geistigen Eigentum dieser Software kein Titel übertragen, und das uneingeschränkte Eigentum verbleibt bei TTEC oder ihren Lieferanten. Der Quellcode der Software wird nicht an Sie lizenziert. Sie dürfen den Copyright-Vermerk der Software nicht ändern, löschen, etc. (auch nicht auf Kopien). Sie werden rechtlich für Urheberrechtsverletzungen, unberechtigte Übertragung, Reproduktion oder Nutzung der Software zur Verantwortung gezogen.

## GÜLTIGKEIT:

Diese Lizenz bleibt in Geltung, bis sie von TTEC gekündigt wird oder bis Sie eine der Bestimmungen dieser Vereinbarung nicht einhalten. Bei Beendigung dieser Lizenzvereinbarung verpflichten Sie sich, alle Kopien der Software zu vernichten. Sie können diese Lizenz jederzeit kündigen, indem Sie die Software und alle Kopien vernichten.

DE

## GEWÄHRLEISTUNGS AUSSCHLUSS:

Diese Software wird "IM ISTZUSTAND" ohne jegliche ausdrückliche oder implizierte Garantie, auch nicht für implizierte Gewährleistung für die Vermarktbarkeit, Eignung für einen bestimmten Zweck, für den Rechtstitel oder die Nichtverletzung von Rechten Dritter bereitgestellt. TTEC schließt jegliche Haftung für die Qualität und die Leistung der Software aus. Wenn sich die Software als schadhaft erweist, sind Sie (und nicht TTEC) für die kompletten Kosten der Wartung, Reparatur oder Schadensbehebung verantwortlich. TTEC gewährleistet nicht, dass die in der Software enthaltenen Funktionen Ihren Ansprüchen entsprechen oder dass der Betrieb der Software unterbrechungs- und fehlerfrei sein wird.

## AKTUALISIERUNG UND EINSTELLUNG:

TTEC kann, uneingeschränkt, eine Aktualisierung der Software vornehmen oder diese einstellen.

## FREMDSOFTWARE:

In einigen Fällen sind Softwareprodukte Dritter in der Software (inklusive künftiger Aktualisierungen oder verbesserter Versionen) enthalten. Für die Bereitstellung dieser Fremdsoftware gelten unterschiedliche Lizenzbestimmungen, die vom Hersteller oder Lieferanten der Fremdsoftware in einer separaten Lizenzvereinbarung oder in Form von Readme-Dateien (oder Dateien, die mit Readme-Dateien vergleichbar sind) festgelegt sind. Wenn Sie die Fremdsoftware benutzen, müssen Sie die in der separaten Lizenzvereinbarung, etc., genannten Bestimmungen einhalten. Außer den Bestimmungen der Fremdsoftware müssen Sie die in dieser Lizenzvereinbarung festgelegten Bestimmungen einhalten.

---

### **HAFTUNGSBESCHRÄNKUNG:**

UNTER KEINEN UMSTÄNDEN HAFTEN TTEC ODER IHRE LIEFERANTEN FÜR SCHÄDEN AUS KONTRAKT, DELIKT ODER ANDEREM GRUND (MIT AUSNAHME VON KÖRPERVERLETZUNGEN ODER TODESFALL AUFGRUND VON FAHRLÄSSIGKEIT VON TTEC ODER IHREN LIEFERANTEN), AUCH NICHT FÜR ENTGANGENEN GEWINN, DATENVERLUST, ENTGANGENE KOSTENEINSPARUNGEN ODER ANDERE BEGLEIT-, SONDER- ODER FOLGESCHÄDEN AUFGRUND DER NUTZUNG ODER UNMÖGLICHKEIT DER NUTZUNG DER SOFTWARE, AUCH WENN TTEC ODER IHRE LIEFERANTEN ÜBER DIE MÖGLICHKEIT DES EINTRITTS SOLCHER SCHÄDEN IN KENNTNIS GESETZT WURDE, SOWIE NICHT FÜR DRITTANSPRÜCHE.

### **EINGESCHRÄNKTE RECHTE DURCH DIE U.S. REGIERUNG:**

Die Software wird mit EINGESCHRÄNKTEN RECHTEN geliefert. Nutzung, Vervielfältigung und Weitergabe durch die Regierung der USA unterliegt den Beschränkungen gemäß Unterabsatz (b)(3)(ii) oder (c)(i)(ii) der Klausel über Recht an technischen Daten und Computersoftware in 252.227-7013 oder 52.227-19 (c)(2) der FAR des DOD, i.d.g.F.

### **ALLGEMEIN:**

Sie dürfen diese Lizenz oder die Software nicht in Sublizenz vergeben, vermieten, verpachten, weitergeben oder übertragen. Jeder Versuch einer Sublizenzvergabe, Vermietung, Verpachtung, Weitergabe oder Übertragung von Rechten, Pflichten oder Auflagen gemäß dieser Vereinbarung ist null und nichtig. Sie erklären sich einverstanden, dass Sie nicht beabsichtigen und auch nicht konkret vorhaben, diese Software, einschließlich Kopien der Software oder technischer Daten, die in der Software oder den Datenträgern enthalten sind, oder ein direktes Produkt davon, an ein Land zu liefern oder (direkt oder indirekt) zu übertragen, für das von der japanischen Regierung, der Regierung der USA oder eines anderen maßgeblichen Landes ein Verbot erlassen wurde. Dieser Lizenzvertrag unterliegt japanischem Recht oder nach freier Wahl eines Lieferanten von TTEC, der in einen Rechtsstreit aufgrund dieses Vertrages einbezogen wird, dem Recht des Landes, das im Einzelfall vom jeweiligen Lieferanten von TTEC bestimmt wird. Wenn eine Bestimmung oder ein Teil dieser Lizenzvereinbarung als ungesetzlich, ungültig oder nicht durchsetzbar erkannt wird, bleiben die restlichen Bestimmungen aufrecht.

SIE ANERKENNEN, DASS SIE DIESEN LIZENZVERTRAG GELESEN HABEN UND SEINE BESTIMMUNGEN VERSTEHEN. SIE SIND EINVERSTANDEN, SICH AN SEINE BESTIMMUNGEN GEBUNDEN ZU FÜHLEN. SIE SIND DARÜBER HINAUS EINVERSTANDEN, DASS DIESER LIZENZVERTRAG ZWISCHEN IHNEN UND TTEC UND IHREN LIEFERANTEN ALLE ANGEBOTE ODER VORHERIGEN VERTRÄGE MÜNDLICHER ODER SCHRIFTLICHER ART BZW. JEDLICHE ANDERE KORRESPONDENZ ZUM VERTRAGSGEGENSTAND DIESES LIZENZVERTRAGES AUSSER KRAFT SETZT.

Lieferant/Hersteller ist TOSHIBA TEC Corporation, 1-11-1, Osaki, Shinagawa-ku, Tokyo, 141-8562, Japan

## **■ Sicherheitshinweise**

Bitte lesen Sie folgende Hinweise, um die Sicherheitsfunktion des Produkts korrekt zu verwenden. Beauftragen Sie kompetente Administratoren mit der Verwaltung des Systems, da ihnen umfangreiche Berechtigungen für die Systemverwaltung und Handhabung zugewiesen werden.

---

## □ An Administratoren

- Bei physikalischen Sicherheitsproblemen, wie entwendete Hardware, sind auch entsprechende physikalische Sicherheitsmaßnahmen, wie Raumüberwachung, vorzunehmen.
- (Nur e-STUDIO2802A/2802AM/2802AF, e-STUDIO2303AM/2803AM, e-STUDIO2309A/2809A) Wenn dieses Produkt an ein Außennetzwerk, wie z. B. dem Internet, angebunden ist, muss das System durch eine Firewall, etc. vor unbefugten Zugriffen geschützt werden.
- (Nur e-STUDIO2802A/2802AM/2802AF, e-STUDIO2303AM/2803AM, e-STUDIO2309A/2809A) Um ein unbefugtes Ändern von Systemeinstellungen zu verhindern, sollte das voreingestellte Administratorkennwort noch vor der ersten Benutzung des Systems geändert werden. Auch die anderen Kennwörter des Systems sollten in regelmäßigen Abständen geändert werden.
- (Nur e-STUDIO2802A/2802AM/2802AF, e-STUDIO2303AM/2803AM, e-STUDIO2309A/2809A) Lesen Sie zuerst die TopAccess-Anleitung und die Bedienungsanleitung, damit Sie die Netzwerkfunktionen und die Abteilungsverwaltung optimal verwenden können. (Nur e-STUDIO2303A) Lesen Sie zuerst die Bedienungsanleitung, damit Sie die Abteilungsverwaltungsfunktion optimal einsetzen können.
- Die geltenden Sicherheitsrichtlinien in Ihrem Unternehmen sind bei der Verwaltung und Bedienung des Systems zu beachten und entsprechend der Bedienungsanleitung umzusetzen. Informieren Sie anschließend die Anwender über diese Sicherheitsinstruktionen und über möglich Einschränkungen bei der Benutzung des Systems.
- Statten Sie allgemeine Anwender mit den erforderlichen Benutzerrechten aus und überprüfen Sie von Zeit zu Zeit die korrekte Bedienung des Systems.
- (Nur e-STUDIO2802A/2802AM/2802AF, e-STUDIO2303AM/2803AM, e-STUDIO2309A/2809A) Kontrollieren Sie von Zeit zu Zeit die Sicherheitseinstellungen für das Netzwerk und die Abteilungsverwaltung. Sollten Sie hier Unregelmäßigkeiten feststellen, wenden Sie sich bitte an den technischen Kundendienst. Einzelheiten zur Prüfung von Einstellungen siehe TopAccess-Anleitung und Bedienungsanleitung. (Nur e-STUDIO2303A) Kontrollieren Sie von Zeit zu Zeit die Sicherheitseinstellungen für die Abteilungsverwaltung. Sollten Sie hier Unregelmäßigkeiten feststellen, wenden Sie sich bitte an den technischen Kundendienst. Einzelheiten zur Prüfung von Einstellungen siehe Bedienungsanleitung.

DE

## □ Hinweise für Anwender

- Entfernen Sie nach der Systembenutzung die Originaldokumente, Druckseiten oder USB-Speichermedien vom System.
- (Nur e-STUDIO2802A/2802AM/2802AF, e-STUDIO2303AM/2803AM, e-STUDIO2309A/2809A) Ändern Sie regelmäßig das Kennwort. Verwenden Sie keine leicht zu erratenden Ziffernfolgen wie Geburtsdatum oder Personalnummer und halten Sie es geheim.
- Bleiben Sie während eines Druckjobs in der Nähe des Systems, damit die Druckseiten oder Originale nicht von unbefugten Personen gelesen oder entwendet werden.

## ■ Hinweis für Anwender

Nachdem eine geeigneter Platz für die Installation der e-STUDIO2802A/2802AM/2802AF, e-STUDIO2303A, e-STUDIO2303AM/2803AM oder e-STUDIO2309A/2809A gefunden wurde, sollte dieser nicht mehr geändert werden. Vermeiden Sie übermäßige Einwirkung von Wärme, Staub, Erschütterungen und Sonnenlicht. Außerdem sollten Sie für ausreichende Entlüftung sorgen, da Ozon in geringen Mengen austreten kann.

Das System ist als Klasse 1 Laser Produkt entsprechend IEC60825-1:2007 inkl. Anhängen, klassifiziert.

Das System verwendet eine Laserdiode mit max. 10 mW Ausgangsleistung, einer Wellenlänge von 785 nm und einer Impulsdauer von 1,25 µs.

### **VORSICHT**

Wenn Sie andere als die hier beschriebenen Bedienungsschritte oder Justagen ausführen, kann dies zur Freisetzung gefährlicher Strahlung führen.

### **WARNUNG**

Dies ist ein Produkt der Klasse A. In einem Wohnbereich kann das Produkt Funkstörungen verursachen. In diesem Fall muss der Benutzer geeignete Gegenmaßnahmen ergreifen.



Kennzeichnet Produkte, die einen Laser verwenden, so dass bei Nichtbeachtung ein Gefährdungspotential für Augenschäden und/oder Hautverletzungen besteht. Beachten Sie bitte die diesbezüglichen Sicherheitshinweise.



Kennzeichnet Stellen, die sich im Betrieb stark erhitzen, so dass bei Nichtbeachtung ein Gefährdungspotential für Hautverbrennungen und/oder damit zusammenhängende Schäden besteht. Berühren Sie bitte niemals diese Stellen und ihre nähere Umgebung.

### **Nur für die USA**

#### **FCC HINWEIS**

Dieses Gerät wurde getestet und entspricht den Grenzwerten eines digitalen Gerätes der Klasse A gemäß Part 15 der Richtlinien der FCC. Diese Grenzwerte sind so ausgelegt, dass sie einen angemessenen Schutz gegenüber schädlichen Störungen in einer Wohnumgebung gewährleisten. Dieses Gerät erzeugt, verwendet und emittiert möglicherweise Funkwellen, die bei unsachgemäßer Installation und Verwendung unter Nichtbeachtung der Anweisungen dieser Anleitung Störungen des Funkverkehrs verursachen können. Beim Betrieb des Geräts in einem Wohnbereich kann es zu Störungen kommen. Diese Störungen muss der Anwender auf eigene Kosten mithilfe geeigneter Maßnahmen beheben.

#### **WARNUNG**

Änderungen oder Modifizierungen am System, die von Toshiba TEC oder von Toshiba TEC autorisierten Parteien nicht ausdrücklich genehmigt sind, können dazu führen, dass der Benutzer nicht mehr berechtigt ist, das Gerät zu betreiben.

### **Anwendersicherheit**

Dieses multifunktionale Digitalsystem von TOSHIBA erzeugt keine für den Anwender gefährliche Laserstrahlung. Es entspricht den Strahlenschutznormen des US-Gesundheitsministeriums und dem US Gesetz zur Strahlungskontrolle für Gesundheit und Sicherheit von 1968 inkl. Anhängen und ist als Klasse 1 Laserprodukt klassifiziert. Das im Inneren des Systems erzeugte Laserlicht ist vollkommen durch ein Schutzgehäuse und die äußeren Abdeckungen abgeschirmt. Das Laserlicht kann zu keiner Zeit aus dem System austreten.

Am 2. August 1976 wurden vom Amt für Strahlenschutz der US-Lebens- und Arzneimittelbehörde Rechtsvorschriften erlassen, die für alle Laserprodukte gelten, die ab dem 1. August 1976 hergestellt wurden. Alle in den USA vertriebenen Laserprodukte müssen diesen Bestimmungen entsprechen.

### **VORSICHT**

Werden Vorgänge oder Justagen am System durchgeführt, die nicht in der Bedienungsanleitung oder den Handbüchern beschrieben sind, kann dies zur Freisetzung gefährlicher Strahlung führen.

### **Nur für die USA und Kanada**

#### **Zusätzliche Information**

Toshiba unterstützt das Umweltschutzprogramm Call2Recycle der Rechargeable Battery Recycling Corporation. Für weitere Informationen und eine Übersicht der Sammelstellen siehe [www.rbrc.org](http://www.rbrc.org) oder Tel. 1-800-822-8837.

Hinweis bezüglich CR Münzzellen nur für Kalifornien, U.S.A.: Perchlorate Material - erfordert möglicherweise Sonderbehandlung.

Siehe <http://www.dtsc.ca.gov/hazardouswaste/perchlorate/>

#### **California Proposition 65: Nur USA-Kalifornien**

#### **WARNUNG**

Dieses Produkt kann Phthalate (Weichmacher) freisetzen, die dem Bundesstaat Kalifornien als Verursacher von Krebs, Geburtsschäden und Fortpflanzungsschäden bekannt sind. Zu weiteren Informationen siehe [www.P65Warnings.ca.gov/product](http://www.P65Warnings.ca.gov/product).

### **Nur für Kanada**

Dieses Gerät der Klasse A entspricht der kanadischen Norm ICES-003.  
Cet appareil numérique de la classe A est conforme à la norme NMB-003 du Canada.

DE

## Nur für EU Mitgliedstaaten

### Umgebungsbedingungen

Bezüglich elektromagnetischer Verträglichkeit ist der Betrieb dieses Produkts in folgenden Umgebungen nicht zulässig:

- Medizinische Umgebungen: Dieses Produkt hat keine Zulassung als medizinisches Produkt entsprechend der Richtlinie 93/42/EEC.
- Unmittelbarer Wohnbereich (z.B. privater Wohnraum mit TV / Radio in unmittelbarer Nähe), da es sich um ein so genanntes EMC Klasse A Produkt handelt. Falls Rundfunkstörungen auftreten, muss der Benutzer geeignete Gegenmaßnahmen ergreifen

TOSHIBA TEC ist nicht für Folgen verantwortlich, die durch die Verwendung des Produkts in unsachgemäßen Umgebungen entstehen.

Mögliche Folgen wären z. B. elektromagnetische Störungen von Maschinen oder Geräten in unmittelbarer Nachbarschaft. Dies kann bis zu Systemfehlern einschließlich Datenverlust/ Datenfehlern führen.

Weiterhin ist aus Sicherheitsgründen die Benutzung des Produkts in Umgebungen mit explosiven Gasen nicht erlaubt.

### CE Kennzeichnung

Dieses Produkt und angeschlossenes elektrisches Zubehör ist gemäß der entsprechenden europäischen Richtlinien für Niederspannungsgeräte 2006/95/EC (vor 2016-04-20), 2014/35/EU (nach 2016-04-20) und elektromagnetischer Verträglichkeit 2004/108/EC (vor 2016-04-20), 2014/30/EU (nach 2016-04-20), der RoHS Richtlinie 2011/65/EU sowie der Richtlinie für Funk- und Telekommunikations-Endgeräte 1999/5/EC mit der CE-Kennzeichnung versehen. Verantwortlich hierfür ist TOSHIBA TEC GERMANY IMAGING SYSTEMS GmbH, Carl-Schurz-Str. 7, 41460 Neuss, Deutschland, Telefon +49-(0)-2131-1245-0.

Falls Sie eine Kopie der CE-Einhaltungserklärung wünschen, wenden Sie sich bitte an Ihren Toshiba-Vertriebspartner oder an TOSHIBA TEC.

### Warnung:

Dies ist ein Produkt der Klasse A. In einem Wohnbereich kann das Produkt Funkstörungen verursachen. In diesem Fall muss der Benutzer geeignete Gegenmaßnahmen ergreifen.

Nur für EU-Mitgliedstaaten:



Dieses Produkt wird entsprechend der EU-Richtlinie über Elektro- und Elektronik-Altgeräte (WEEE) vertrieben.

Dieses Gerät darf nicht auf unsortierten, allgemeinen Abfalldeponien entsorgt werden. Durch die separate, sachgemäße Entsorgung helfen Sie, mögliche negative Umwelteinflüsse zu vermeiden.

Einzelheiten zur Rücknahme und dem Recycling des Produkts erfahren Sie von Ihrem Toshiba-Vertriebspartner.

Nur für EU-Mitgliedstaaten:



Entsorgung von Batterien und/oder Akkumulatoren entsprechend der EU-Richtlinie über gefährliche Stoffe enthaltende Batterien und Akkumulatoren.

Durch die separate, sachgemäße Entsorgung von Batterien und Akkumulatoren helfen Sie, mögliche negative Umwelteinflüsse zu vermeiden.

Einzelheiten zur Rücknahme und dem Recycling von Batterien und Akkumulatoren erfahren Sie von Ihrem Toshiba-Vertriebspartner.

Das Gerät ist nicht für die Benutzung im unmittelbaren Gesichtsfeld am Bildschirmarbeitsplatz vorgesehen.

Um störende Reflektionen am Bildschirmarbeitsplatz zu vermeiden, darf dieses Gerät nicht im unmittelbaren Gesichtsfeld platziert werden.

### Nur für Indien

Die folgende Information betrifft nur Indien:



Dieses Gerät darf nicht auf unsortierten, allgemeinen Abfalldeponien entsorgt werden. Durch die separate, sachgemäße Entsorgung helfen Sie, mögliche negative Umwelteinflüsse zu vermeiden.

Einzelheiten zur Rücknahme und dem Recycling des Produkts erfahren Sie von Ihrem Toshiba-Vertriebspartner.

### Nur für Argentinien

Die folgende Information betrifft nur die Region Buenos Aires in Argentinien:



La siguiente información es solo para Argentina

El uso de este símbolo indica que este producto no puede ser tratado como residuos domésticos.

Asegúrese que este producto se deseche correctamente, Usted ayudara a evitar posibles consecuencias negativas para el medio ambiente y la salud humana, que podrían derivarse de la incorrecta manipulación de este producto.

Para mas información sobre el reciclaje de este producto, consulte con nuestro.

DE



---

### Nur für die Türkei

Die folgende Information betrifft nur die Türkei:

AEEE Yönetmeliğine Uygundur

### Nur für China

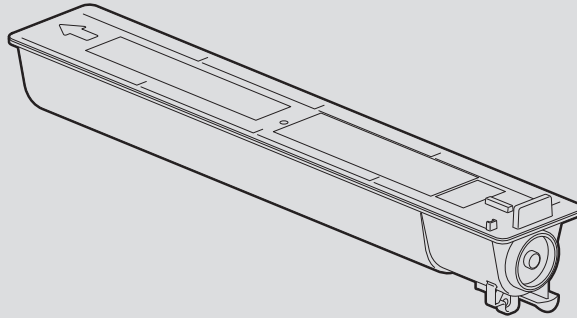
	So gekennzeichnete Produkte sind nicht für tropische Klimazonen geeignet.
	So gekennzeichnete Produkte sind nicht für Gebirgsregionen über 2000 Höhenmeter geeignet.



## ■ TOSHIBA-Qualität ist einzigartig

Es wird empfohlen, Originalverbrauchsmaterialien und Ersatzteile von TOSHIBA zu benutzen, um optimale Ergebnisse zu erzielen.

Die folgende Abbildung zeigt die Tonerkartusche für die e-STUDIO2802A/2802AM/2802AF.



**TOSHIBA**

**T-2802U**

FOR/POUR  
e-STUDIO2802AM/2802AF

COMPONENTS:  
Polyester resin, Carbon black (1333-86-4), Wax,  
Organic Metal Complex, Titanium dioxide,  
Amorphous Silica (7631-86-9)

**ORIGINAL & GENUINE TOSHIBA TONER**

NET 338 g

- HANDLE WITH CARE.
- STORE IN A DRY PLACE BELOW 35°C (95°F).
- READ THE OPERATING INSTRUCTIONS OF THE MACHINE BEFORE USING.
- DO NOT TOUCH THE METAL CONTACT ON THE CIRCUIT BOARD.

**TOSHIBA TEC CORPORATION**  
Gate City Ohsaki West Tower, 1-11-1, Osaki,  
Shinagawa-ku, Tokyo, 141-8562, Japan  
TEL +81-3-6830-9100  
MADE IN CHINA / FABRIQUE EN CHINE

- MANIPULER AVEC PRECAUTION.
- GARDER DANS UN ENDROIT SANS HUMIDITE OU LA TEMPERATURE AMBIANTE EST MOINS DE 35°C.
- LIRE LE MANUEL D'EMPLOI DE L'APPAREIL AVANT D'EN FAIRE USAGE.
- NE PAS TOUCHER LA PIECE METALLIQUE SUR LE TABLEAU DE CIRCUITS.



Patent : <http://www.toshibatec.co.jp/en/patent/>

**TOSHIBA**

**T-2802E**

FOR/POUR/FÜR/DA/PARA  
e-STUDIO2802AM/2802AF

COMPONENTS:  
Polyester resin, Carbon black (1333-86-4), Wax,  
Organic Metal Complex, Titanium dioxide,  
Amorphous Silica (7631-86-9)

**ORIGINAL & GENUINE TOSHIBA TONER**

NET 338 g

- SHAKE WELL BEFORE USING.
- AGITER AVANT EMPLOI.
- VOR GEBRAUCH GUT SCHÜTTELN.
- AGITARE BENE PRIMA DELL'USO.
- SACUDIR BIEN ANTES DE USAR.
- DO NOT TOUCH THE METAL CONTACT ON THE CIRCUIT BOARD.
- NE PAS TOUCHER LES CONTACTS METALLIQUES DU CIRCUIT IMPRIME.
- NON TOCCARE IL PEZZO DI METALLO NELLA SCHEDA DEI CIRCUITI.
- DAS METALLSTÜCK AUF DER STROMKREISTAFEL NICHT BERÜHREN.
- NO TOCAR LA PIEZA METALICA EN EL TABLERO DE CIRCUITOS.

**TOSHIBA TEC CORPORATION**  
Gate City Ohsaki West Tower, 1-11-1, Osaki,  
Shinagawa-ku, Tokyo, 141-8562, Japan  
TEL +81-3-6830-9100  
MADE IN CHINA / FABRIQUE EN CHINE  
HERGESTELLT IN CHINA  
HECHO EN CHINA / FATTO IN CINA



PAT. P.

**TOSHIBA**

**T-2802P**

FOR/POUR  
e-STUDIO2802A/2802AM/2802AF

COMPONENTS:  
Polyester resin, Carbon black (1333-86-4), Wax,  
Organic Metal Complex, Titanium dioxide,  
Amorphous Silica (7631-86-9)

**ORIGINAL & GENUINE TOSHIBA TONER**

NET 338 g

- HANDLE WITH CARE.
- STORE IN A DRY PLACE BELOW 35°C (95°F).
- READ THE OPERATING INSTRUCTIONS OF THE MACHINE BEFORE USING.
- DO NOT TOUCH THE METAL CONTACT ON THE CIRCUIT BOARD.

**TOSHIBA TEC CORPORATION**  
Gate City Ohsaki West Tower, 1-11-1, Osaki,  
Shinagawa-ku, Tokyo, 141-8562, Japan  
TEL +81-3-6830-9100  
MADE IN CHINA / FABRIQUE EN CHINE

- MANIPULER AVEC PRECAUTION.
- GARDER DANS UN ENDROIT SANS HUMIDITE OU LA TEMPERATURE AMBIANTE EST MOINS DE 35°C.
- LIRE LE MANUEL D'EMPLOI DE L'APPAREIL AVANT D'EN FAIRE USAGE.
- NE PAS TOUCHER LA PIECE METALLIQUE SUR LE TABLEAU DE CIRCUITS.



PAT. P.

DE

---

## □ Verbrauchsmaterial

- **Zuverlässigkeit**  
Originalverbrauchsmaterialien von Toshiba werden strengsten Kontrollen unterworfen, sodass jedes von Ihnen erworbene Verbrauchsmaterial optimal funktioniert.
- **Hohe Produktivität**  
Originalverbrauchsmaterialien von Toshiba werden hergestellt, um die Nachfrage in einer wettbewerbsorientierten Umgebung abzudecken und schnell, zuverlässig und störungsfrei Kopien anfertigen zu können, wann immer sie benötigt werden.
- **Stabile Bildqualität**  
Originalverbrauchsmaterialien von Toshiba wurden so entwickelt, dass Tag für Tag eine konsistente, stabile Bildausgabe ermöglicht wird.
- **Kopiererfreundliches Verbrauchsmaterial**  
Originalverbrauchsmaterialien von Toshiba unterstützen einen störungsfreien Betrieb des Kopierers und seiner Komponenten. Der geringere Verschleiß von Teilen des Kopierers ist darauf zurückzuführen, dass Toshiba die besonderen Merkmale des Kopierers genau kennt und so ein Höchstmaß an Sorgfalt gewährleistet ist.
- **Perfekt angepasste Verbrauchsmaterialien**  
Die Verbrauchsmaterialien von Toshiba werden bereits bei ihrer Entwicklung auf die jeweiligen Geräte abgestimmt. Bei jeder Neuentwicklung eines Geräts entwickelt Toshiba auch einen neuen Toner, der ideal für das System geeignet ist. Wenn Sie mit Toshiba-Geräten Originalverbrauchsmaterialien von Toshiba verwenden, sorgen Sie für lang anhaltende optimale Leistung.

## □ Toner

- **Optimale Bildqualität**  
Toshiba-Toner wird aus feinsten Qualitätsmaterialien unter präzisen Kontrollbedingungen hergestellt, um zu gewährleisten, dass Ihre Toshiba-Kopierer langfristig gestochen scharfe Bilder höchster Qualität liefern.
- **Kostenvorteil**  
Originaltoner von Toshiba sind sparsam im Verbrauch. Während des Reproduktionsprozesses wird nur genau die Menge an Toner benutzt, die wirklich benötigt wird, sodass das System arbeiten kann, bis der Toner komplett verbraucht wurde. Jede Kartusche wird daher zu hundert Prozent ausgenutzt.
- **Umweltfreundlich**  
Originaltoner von Toshiba wird mit geringsten Umweltbelastungen produziert. Aus Umweltschutzgründen werden Beschriftungen eingepreßt oder auf Kunststoffetiketten angebracht, so dass die Tonerkartuschen vollständig recycelbar sind. Zudem wurden gesundheitsschädliche Staub- und Ozonemissionen reduziert, um die Arbeitsumgebung nicht zu beeinträchtigen.
- **Benutzerfreundlich**  
Bevor wir unsere Toner für den Verkauf freigeben, testen wir sie, um sicherzustellen, dass sie strengste Gesundheitsnormen erfüllen. Dadurch können Sie beim Umgang mit dem Toner sorgenfrei arbeiten.

## □ Allgemein

- **Service und Supportvorteile**  
Toshibas Servicetechniker sind zertifiziert und in der Lage, Ihr System optimal zu warten. Wenden Sie sich in allen Belangen nur an den autorisierten Toshiba Service, damit die hohe Bildqualität des Systems dauerhaft gewährleistet ist.

---

## ■ Über dieses Handbuch

### □ Symbole in diesem Handbuch

In diesem Handbuch sind wichtige Hinweise durch folgende Symbole gekennzeichnet. Lesen Sie diese Hinweise, bevor Sie das System benutzen.

#### **WARNUNG**

Diese Gefahrenstufe weist auf eine potenziell gefährliche Situation hin, die - wenn sie nicht behoben wird - tödliche bzw. ernsthafte Verletzungen, erhebliche Schäden oder Feuer im Gerät oder in seiner Umgebung nach sich ziehen kann.

#### **VORSICHT**

Diese Gefahrenstufe weist auf eine potenziell gefährliche Situation hin, die - wenn sie nicht behoben wird - geringfügige bis mittlere Verletzungen, Teilschäden am Gerät oder in seiner Umgebung sowie Datenverlust nach sich ziehen kann.

#### **Hinweis**

Kennzeichnet Informationen, die Sie bei der Bedienung des Systems beachten sollten.

Weiterhin sind in diesem Handbuch Informationen enthalten, die die Bedienung des Systems erleichtern:

#### **Tipps**

Beschreibt praktische Tipps zur Bedienung des Systems.



Seiten, auf denen Sie weitere Hinweise finden können. Lesen Sie ggf. auch diese Seiten.

**DE**

## ■ Allgemeine Vorsichtsmaßnahmen

### □ Bei Installation und Transport

#### **WARNUNG**

##### **Nur für die USA und Kanada**

Dieses Multifunktionssystem benötigt eine Stromversorgung mit 120 V, 12 A, 50/60 Hz.

##### **Nur für EU-Mitgliedstaaten**

Dieses Multifunktionssystem benötigt eine Stromversorgung mit 220 bis 240 V AC, 8 A und 50/60 Hz.

##### **Außer USA; Kanada und EU**

Dieses Multifunktionssystem benötigt eine Stromversorgung mit 220 bis 240 V AC, 8 A und 50/60 Hz.

- Verwenden Sie keine Stromquelle mit einer anderen als der angegebenen Spannung. Vermeiden Sie es, mehrere Stromkabel an einer Steckdose anzuschließen. Dies würde die Feuergefahr sowie die Gefahr eines Stromschlags erhöhen. Wenn Sie vorhaben, die Anzahl der Anschlüsse zu erhöhen, sollten Sie sich an einen Elektriker wenden.

- Verbinden Sie dieses System nur mit einer geerdeten Steckdose, um im Fall eines Kurzschlusses die Feuergefahr und die Gefahr eines Stromschlags zu minimieren. Für weitere Hinweise wenden Sie sich an den technischen Kundendienst. Sorgen Sie dafür, dass eine geerdete Wandsteckdose mit drei Polen benutzt wird.  
In Gegenden, wo zweipolige Stecker verwendet werden, muss das System sicherheitshalber zusätzlich geerdet werden. Versuchen Sie nicht, es an einer Gas- oder Wasserleitung oder sonstigen, zur Erdung ungeeigneten Objekten zu erden.
- Verbinden Sie das Netzkabel sicher mit der Steckdose. Wenn das Netzkabel nicht richtig eingesteckt ist, kann es sich erwärmen und Feuer bzw. einen Stromschlag verursachen.
- Nur unbeschädigte Stromkabel dürfen verwendet werden. Versuchen Sie niemals, ein beschädigtes Stromkabel zu reparieren.

Folgende Handlungen sind mit Stromkabeln zu vermeiden:

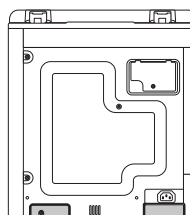
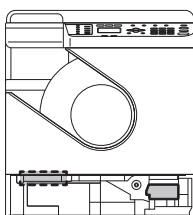
- Verdrillen
- Knicken
- Dehnen
- Quetschen
- Erwärmen
- Platzieren neben Heizlüftern oder anderen Heizquellen

Dies würde die Feuergefahr sowie die Gefahr eines Stromschlags erhöhen. Wenn das Stromkabel beschädigt ist, wenden Sie sich an den technischen Kundendienst.

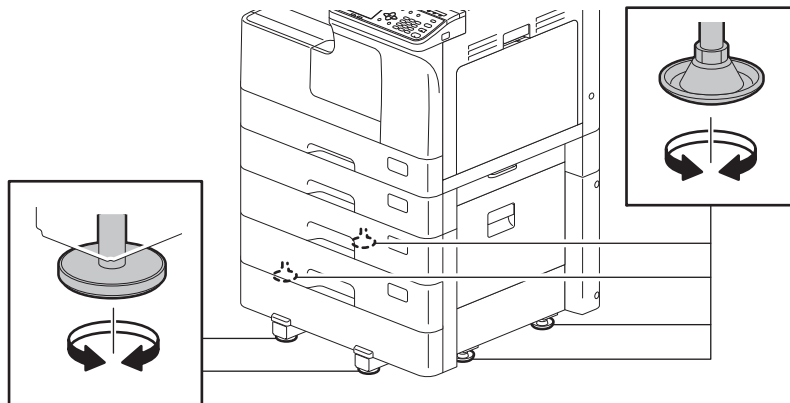
- Installieren Sie das System nicht selbst und bewegen Sie es nach der Installation möglichst nicht mehr. Sie könnten sich verletzen oder das System beschädigen. Wenden Sie sich hierzu an den technischen Kundendienst.
- Die Steckdose muss sich in der Nähe des Geräts befinden und leicht zugänglich sein.
- Ziehen Sie den Netzstecker einmal pro Jahr aus der Dose, um die den Stecker zu reinigen. Durch die Ansammlung von Staub und Schmutz entsteht durch Wärmeentwicklung Brandgefahr durch blanke Kabelstellen oder andere Kontaktstellen, an denen Strom austreten könnte.

## ⚠ VORSICHT

- Stellen Sie das System nicht auf Untergründe, die das Gewicht nicht tragen können und achten Sie darauf, dass die Stellfläche eben ist. Wenn das System herunterfällt oder umkippt besteht Verletzungsgefahr.  
Systemgewicht für;  
e-STUDIO2802A: ca. 19,5 kg  
e-STUDIO2802AM: ca. 24,0 kg  
e-STUDIO2802AF: ca. 24,5 kg  
e-STUDIO2303A: ca. 24,3 kg  
e-STUDIO2303AM/2803AM: ca. 24,3 kg  
e-STUDIO2309A/2809A: ca. 25,0 kg
- (**e-STUDIO2802A/2802AM/2802AF**) Zum Bewegen des Systems die Kassette herausziehen und danach das System mit zwei oder mehr Personen an den unten gezeigten Stellen halten und anheben. Wenn Sie dies nicht beachten können Sie sich verletzen oder das System beschädigen.



- Ziehen Sie nicht am Kabel, wenn Sie den Stecker aus der Steckdose ziehen. Halten Sie immer den Stecker fest, wenn Sie ihn aus der Steckdose ziehen. Wenn Sie am Stromkabel ziehen, können die Innendrähte beschädigt werden, was die Feuergefahr sowie die Gefahr eines Stromschlags erhöhen würde.
- Stellen Sie sicher, dass die Ventilationsöffnungen nicht blockiert sind. Wenn die Temperatur im Multifunktionssystem zu hoch ist, erhöht sich die Feuergefahr.
- Schalten Sie den Hauptschalter aus, wenn Sie ein Schnittstellenkabel an das System anschließen. Ansonsten besteht für Sie die Gefahr eines Stromschlags.
- (**e-STUDIO2309A/2809A**) Der Kassettenunterschrank besitzt unten 6 Stellfüße (Antikippvorrichtung). Nach dem Bewegen des Systems müssen sie wieder festgedreht und abgesenkt werden. Danach die Stopper fixieren.



DE

### ⚠ WARNUNG

Installieren Sie das System nicht selbst und bewegen Sie es nach der Installation möglichst nicht mehr. Sie könnten sich verletzen oder das System beschädigen. Wenden Sie sich hierzu an den technischen Kundendienst.

### Andere wichtige Punkte

- Die Steckdose muss sich in der Nähe des Systems befinden und sollte leicht zugänglich sein.
- Ein ausreichend großer Wandabstand sorgt für gute Ventilation und erleichtert die Bedienung sowie die Beseitigung von Papierstaus. Zu den empfohlenen Wandabständen siehe nachfolgende Tabelle.

Empfohlener Abstand		
Hinten	Links	Rechts
20 cm (7.9")	30 cm (11.8")	80 cm (31.5")

- Verlegen Sie das Stromkabel so, dass niemand darüber stolpern kann.
- Ungünstige Raumbedingungen können sich auf den sicheren Betrieb und die Leistung des Multifunktionssystems auswirken und zu einer Störung des Geräts führen.
  - Vermeiden Sie Standorte in der Nähe von Fenstern oder mit direkter Sonneneinstrahlung.
  - Vermeiden Sie Standorte mit großen Temperaturveränderungen.
  - Vermeiden Sie Standorte mit viel Staubentwicklung.
  - Vermeiden Sie Standorte, die Vibrationen ausgesetzt sind.
- Sorgen Sie dafür, dass der Standort gut belüftet ist. Bei unzureichender Ventilation wird der Ozongeruch deutlich spürbar.

## □ Während des Betriebs des Multifunktionssystems

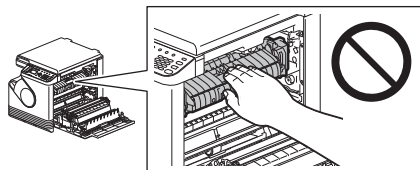
### ⚠ WARNUNG

- Entfernen Sie keine Gehäuseteile; dies kann die Feuergefahr sowie die Gefahr eines Stromschlags erhöhen.
- Stecken Sie den Stecker nicht mit nassen Händen ein oder aus, um mögliche Stromschläge zu vermeiden.
- Stellen Sie keine Behälter mit Flüssigkeit (Blumenvasen, Kaffeetassen usw.) auf dem Multifunktionssystem oder in seiner Nähe ab. Dies würde die Feuergefahr sowie die Gefahr eines Stromschlags erhöhen.
- Papierklammern und Heftklammern müssen von den Entlüftungsöffnungen ferngehalten werden. Ansonsten kann dies die Feuergefahr oder die Gefahr eines Stromschlags erhöhen.
- Wenn sich das Multifunktionssystem zu sehr erhitzt und Rauch oder einen eigenartigen Geruch bzw. Geräusche abgibt, gehen Sie folgendermaßen vor:  
Schalten Sie den Hauptschalter AUS und ziehen Sie den Stecker aus der Steckdose, wenden Sie sich dann an den technischen Kundendienst.
- Wenn das Multifunktionssystem für länger als einen Monat nicht verwendet wird, sollten Sie für diese Zeit aus Sicherheitsgründen den Stecker aus der Steckdose ziehen. Die Feuergefahr und die Gefahr eines Stromschlags erhöhen sich, wenn die Isolierung beschädigt wird.
- Berühren Sie nur die Komponenten des Systems, die der Bedienungsanleitung beschrieben sind. Ansonsten können Systemstörungen auftreten oder es besteht die Gefahr einer Verletzung durch Verbrennung oder elektrischen Schlag.

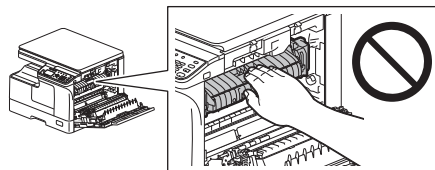
### ⚠ VORSICHT

- Legen Sie keine schweren Objekte (mehr als 4 kg) auf das Vorlagenglas und drücken Sie nicht auf derartige Gegenstände. Wenn das Vorlagenglas bricht, können Sie sich verletzen.
- Legen Sie keine schweren Objekte (4 kg oder mehr) auf das System. Herunterfallende Objekte können zu Verletzungen führen.
- (**e-STUDIO2802A/2802AM/2802AF**) Halten Sie die Kassette immer mit beiden Händen fest wenn Sie sie entfernen oder einsetzen. Wenn sie herunterfällt, können Sie sich verletzen.
- Gehen Sie mit Umsicht vor, um sich beim Schließen der Kassette nicht die Finger einzuklemmen. Dies kann zu Verletzungen führen.
- Berühren Sie nicht die Fixiereinheit bzw. die dort befindlichen Metallflächen. Da diese sehr heiß sind, könnten Sie sich verbrennen oder im Schreck die Hand im Gerät verletzen.

e-STUDIO2802A/2802AM/2802AF

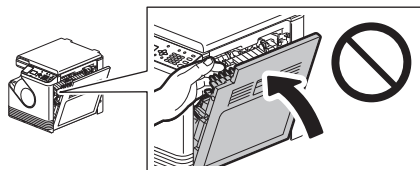


e-STUDIO2303A/2303AM/2803AM/2309A/2809A

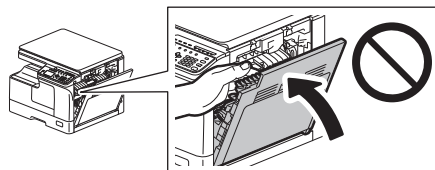


- Achten Sie darauf, dass Ihre Finger nicht zwischen System und Seitenabdeckung geraten. Dies kann zu Verletzungen führen.

e-STUDIO2802A/2802AM/2802AF



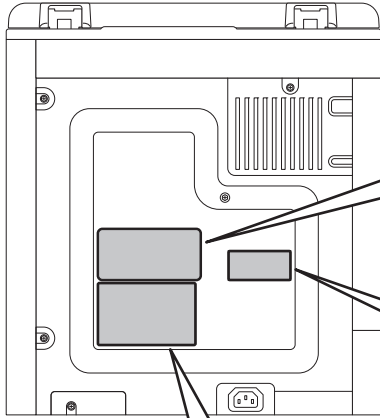
e-STUDIO2303A/2303AM/2803AM/2309A/2809A



- 
- Achten Sie darauf, dass Ihre Finger nicht an der Rückseite eingeklemmt werden, wenn Sie den ADF oder RADF schließen. Sie könnten sich verletzen.
  - Steigen oder setzen Sie sich nicht auf herausgezogene Kassetten. Sie könnten herabfallen und sich verletzen.

# Lage der Etiketten etc.

## e-STUDIO2802A/2802AM/2802AF



### Laseretikett



### Zertifizierungsetikett (Für USA und Kanada)



### Zertifizierungsetikett

<p>Für U.S.A. und Kanada</p> <p><b>TOSHIBA</b> MULTIFUNCTIONAL DIGITAL SYSTEMS /SYSTEME MULTIFONCTION NUMERIQUE e-STUDIO2802AM MODEL/MODELE DP-2802AM 120V ~ 50/60Hz 12A NO.</p> <p> complies with UL 60950-1 CSA C22.2 No.60950-1</p> <p><b>TOSHIBA TEC CORPORATION</b> TC MADE IN CHINA/FABRIQUE EN CHINE</p>	<p>Für EU</p> <p><b>TOSHIBA</b> MULTIFUNCTIONAL DIGITAL SYSTEMS /SYSTEME MULTIFONCTION NUMERIQUE e-STUDIO2802AM MODEL/MODELE DP-2802AM 220-240V ~ 50/60Hz 8A NO.</p> <p> </p> <p><b>TOSHIBA TEC CORPORATION</b> TC MADE IN CHINA/FABRIQUE EN CHINE</p>
---	--

### Warnetikett

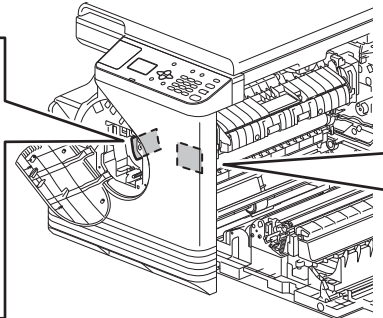
**危険**、ドラムユニットを斜めまたは光学ユニットを開けたら、レーザー放射を集中して目や皮膚に照射しないこと。レーザー放射を避けること。

**DANGER**-CLASS 3B INVISIBLE LASER RADIATION WHEN OPTICAL UNIT OPEN OR DRUM UNIT REMOVED AND INTERLOCK DEFEATED. AVOID DIRECT EXPOSURE TO BEAM.

**VORSICHT**-KLASSE 3B UNSICHTBARE LASERSTRAHLUNG, WENN DIE ABSCHLÜSSUNG GEÖFFNET ODER DIE TROMMEL ENTFERNT UND DIE VERREGELUNG UNWIRKSAM GEMACHT WIRD. NICHT DIREKT DEM STRAHLEN AUSSETZEN.

**DANGER**-CLASSE 3B RAYON LASER INVISIBLE LORSQUE LE BLOC OPTIQUE EST OUVERT, LE tambour RETIRE ET LE VERROUILLAGE HORS D'USAGE. EVITER L'EXPOSITION DIRECTE AU RAYON.

**PELIGRO**-RADIACION INVISIBLE DE LASER CLASE 3B CUANDO LA UNIDAD OPTICA ESTA ABIERTA O LA UNIDAD DEL CILINDRO ES RETIRADA Y CUANDO EL INTERRUPTOR DE SEGURIDAD ESTA DE SACTIVADO. EVITE EXPOSICION DIRECTA AL RAYO.



### Warnetikett

**危険**、ドラムユニットを斜めまたは光学ユニットを開けたら、レーザー放射を集中して目や皮膚に照射しないこと。レーザー放射を避けること。

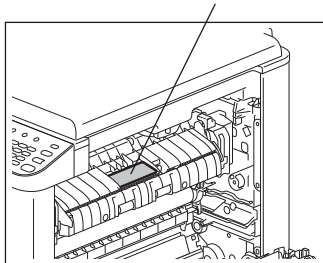
**DANGER**-CLASS 3B INVISIBLE LASER RADIATION WHEN OPTICAL UNIT OPEN OR DRUM UNIT REMOVED AND INTERLOCK DEFEATED. AVOID DIRECT EXPOSURE TO BEAM.

**VORSICHT**-KLASSE 3B UNSICHTBARE LASERSTRAHLUNG, WENN DIE ABSCHLÜSSUNG GEÖFFNET ODER DIE TROMMEL ENTFERNT UND DIE VERREGELUNG UNWIRKSAM GEMACHT WIRD. NICHT DIREKT DEM STRAHLEN AUSSETZEN.

**DANGER**-CLASSE 3B RAYON LASER INVISIBLE LORSQUE LE BLOC OPTIQUE EST OUVERT, LE tambour RETIRE ET LE VERROUILLAGE HORS D'USAGE. EVITER L'EXPOSITION DIRECTE AU RAYON.

**PELIGRO**-RADIACION INVISIBLE DE LASER CLASE 3B CUANDO LA UNIDAD OPTICA ESTA ABIERTA O LA UNIDAD DEL CILINDRO ES RETIRADA Y CUANDO EL INTERRUPTOR DE SEGURIDAD ESTA DE SACTIVADO. EVITE EXPOSICION DIRECTA AL RAYO.

### Warnung vor hoher Temperatur (Fixiereinheit)






e-STUDIO2303A/2303AM/2803AM/2309A/2809A

Zertifizierungsetikett

Für USA und Kanada


**TOSHIBA**  
 MULTIFUNCTIONAL DIGITAL SYSTEMS  
 /SYSTEME MULTIFONCTION NUMERIQUE e-STUDIO2809A  
 MODEL/MODELE DP-2809A  
 120V ~  
 50/60Hz 12A  
 NO.



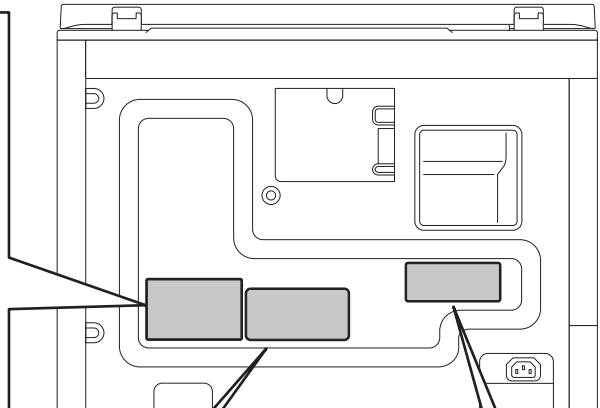
**TOSHIBA TEC CORPORATION** TC  
 MADE IN CHINA/FABRIQUE EN CHINE

Für EU

**TOSHIBA**  
 MULTIFUNCTIONAL DIGITAL SYSTEMS  
 /SYSTEME MULTIFONCTION NUMERIQUE e-STUDIO2809A  
 MODEL/MODELE DP-2809A  
 220-240V ~  
 50/60Hz 8A  
 NO.



**TOSHIBA TEC CORPORATION** TC  
 MADE IN CHINA/FABRIQUE EN CHINE



Laseretikett

CLASS 1 LASER PRODUCT  
 APPAREIL À LASER DE CLASSE 1  
 LASER KLASSE 1  
 PRODUCTO DE LASER DE CLASE 1  
 クラス1レーザー製品

>PS<

Zertifizierungsetikett  
 (Für USA und Kanada)

Product is certified by the manufacturer to comply with DHHS Rule 21 CFR subchapter J applicable at the date of Manufacture.

Manufactured: TS

**TOSHIBA TEC CORPORATION**  
 1-11-1, OSAKI, SHINAGAWA-KU, TOKYO, 141-8562, JAPAN

DE

Warnetikett



危険-ドラムユニットを外したり光学ユニットを開けたらトナースイッチを無効にするクラス3Bの不可視レーザー放射の恐れあり。ビームの直接曝露を避けよ。

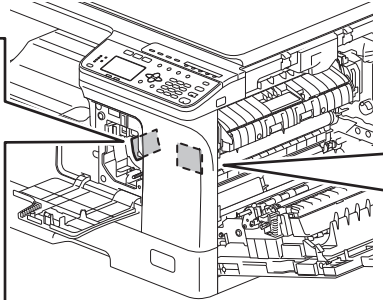
DANGER-CLASS 3B INVISIBLE LASER RADIATION WHEN OPTICAL UNIT OPEN OR DRUM UNIT REMOVED AND INTERLOCK DEFEATED. AVOID DIRECT EXPOSURE TO BEAM.

VORSICHT-KLASSE 3B UNSICHTBARE LASERSTRAHLUNG, WENN DIE ABDECKUNG GEÖFFNET ODER DIE TROMMEL ENTFERNT UND DIE VERriegELUNG UNWIRKSAM GEMACHT WIRD. NICHT DIREKT DEM STRAHL AUSSETZEN.

DANGER-CLASSE 3B RAYON LASER INVISIBLE LORSQUE LE BLOC OPTIQUE EST OUVERT, LE TAMBOUR RETIRE ET LE VERROUILLAGE HORS D'USAGE. EVITER L'EXPOSITION DIRECTE AU RAYON.

PELIGRO-RADIACIÓN INVISIBLE DE LASER CLASE 3B CUANDO LA UNIDAD ÓPTICA ESTÁ ABIERTA O LA UNIDAD DEL CILINDRO ES RETIRADA Y CUANDO EL INTERRUPTOR DE SEGURIDAD ESTÁ DE SACTIVADO, EVITE EXPOSICIÓN DIRECTA AL RAYO.

>PS<



Warnetikett



危険-ドラムユニットを外したり光学ユニットを開けたらトナースイッチを無効にするクラス3Bの不可視レーザー放射の恐れあり。ビームの直接曝露を避けよ。

DANGER-CLASS 3B INVISIBLE LASER RADIATION WHEN OPTICAL UNIT OPEN OR DRUM UNIT REMOVED AND INTERLOCK DEFEATED. AVOID DIRECT EXPOSURE TO BEAM.

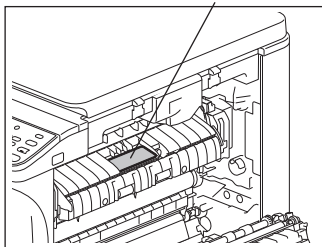
VORSICHT-KLASSE 3B UNSICHTBARE LASERSTRAHLUNG, WENN DIE ABDECKUNG GEÖFFNET ODER DIE TROMMEL ENTFERNT UND DIE VERriegELUNG UNWIRKSAM GEMACHT WIRD. NICHT DIREKT DEM STRAHL AUSSETZEN.

DANGER-CLASSE 3B RAYON LASER INVISIBLE LORSQUE LE BLOC OPTIQUE EST OUVERT, LE TAMBOUR RETIRE ET LE VERROUILLAGE HORS D'USAGE. EVITER L'EXPOSITION DIRECTE AU RAYON.

PELIGRO-RADIACIÓN INVISIBLE DE LASER CLASE 3B CUANDO LA UNIDAD ÓPTICA ESTÁ ABIERTA O LA UNIDAD DEL CILINDRO ES RETIRADA Y CUANDO EL INTERRUPTOR DE SEGURIDAD ESTÁ DE SACTIVADO, EVITE EXPOSICIÓN DIRECTA AL RAYO.

>PS<

Warnung vor hoher Temperatur (Fixiereinheit)

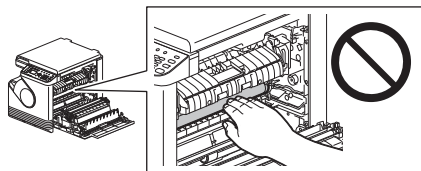


---

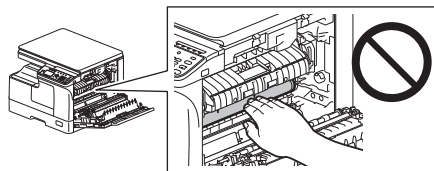
## Andere wichtige Punkte

- Schalten Sie nicht den Hauptschalter aus, wenn es zu einem Papierstau im Multifunktionssystem kommt.  
Dies kann zu Funktionsstörungen führen, wenn der Hauptschalter das nächste Mal eingeschaltet wird.
- Schalten Sie sicherheitshalber den Hauptschalter aus, wenn ein Stromausfall eintritt oder das System über längere Zeiträume unbeaufsichtigt bleibt. Dies ist jedoch nicht erforderlich, wenn der Wochentimer aktiviert ist.
- Frisch ausgegebenes Papier und der Ausgabebereich können noch heiß sein.
- Legen Sie keine Gegenstände in das Ausgabefach. Dies kann zu Fehlfunktionen bei der Papierausgabe führen.
- Berühren Sie nicht die Lichtleitertrommel. Dies kann zu Bildproblemen führen.

e-STUDIO2802A/2802AM/2802AF



e-STUDIO2303A/2303AM/2803AM/2309A/2809A



- Öffnen Sie den manuellen Einzug oder die Kassetten nicht, wenn das System druckt.

## ☐ Während der Wartung und der Inspektion

### ⚠ WARNUNG

- Versuchen Sie nie, das Gerät selbst zu demontieren oder zu verändern. Dies kann die Feuergefahr sowie die Gefahr eines Stromschlags erhöhen.  
Wenden Sie sich immer an den technischen Kundendienst, falls Reparaturen erforderlich sein sollten.
- Achten Sie darauf, dass keine Flüssigkeit, wie Wasser oder Öl, mit dem System in Berührung kommt, wenn der Boden gereinigt wird. Dies würde die Feuergefahr sowie die Gefahr eines Stromschlags erhöhen.

### ⚠ VORSICHT

- Sorgen Sie dafür, dass der Stecker und die Steckdose gereinigt werden. Verhindern Sie, dass sich Staub und Schmutz ansetzen. Die durch den Spannungsverlust erzeugte Hitze erhöht die Feuergefahr sowie die Gefahr eines Stromschlags.

## Andere wichtige Punkte

- Verwenden Sie keine Lösungsmittel, wie Verdünner oder Alkohol, wenn Sie die Oberfläche des Multifunktionssystems reinigen.
  - Dies kann zu Oberflächenbeschädigungen oder Verfärbungen führen.
  - Wenn Sie einen chemischen Reinigungsschwamm verwenden, achten Sie auf etwaige Warnhinweise.

## ☐ Umgang mit Verbrauchsmaterial

### ⚠ VORSICHT

- Niemals Tonerkartuschen durch Verbrennen entsorgen. Entsorgen Sie Tonerkartuschen entsprechend den örtlichen Bestimmungen.

---

## Andere wichtige Punkte

- Ersetzen Sie Tonerkartuschen exakt so, wie es im Handbuch beschrieben ist. Bei falscher Vorgehensweise kann Toner austreten.
- Öffnen Sie die Tonerkartusche nicht. Dies kann dazu führen, dass Toner austritt.
- Lagern Sie Tonerkartuschen außerhalb der Reichweite von Kindern.
- Toner auf Kleidungsstücken darf nur mit kaltem Wasser ausgewaschen werden. Wird warmes Wasser verwendet, verbindet sich der Toner mit den Textilfasern und kann nicht mehr entfernt werden .
- Tonerpulver möglichst nicht berühren oder einatmen.

### Erste Hilfe Maßnahmen

Bei Inhalation oder Kontakt mit Toner etc; führen Sie folgende Maßnahmen durch.

- Inhalation: Verlassen Sie den belasteten Bereich und gehen Sie an die frische Luft. Wenn Sie Atembeschwerden oder andere Krankheitssymptome feststellen, sollten Sie einen Arzt aufsuchen.
- Hautkontakt: Die betreffende Stelle mit Wasser und Seife waschen. Verunreinigte Bekleidung ebenfalls waschen. Falls Sie bleibende Hautirritationen feststellen, sollten Sie einen Arzt aufsuchen.
- Augenkontakt: Die Augen sofort für mindestens 15 Minuten unter fließendem Wasser ausspülen. Falls Sie andauernde Irritationen/Beschwerden feststellen, sollten Sie einen Arzt aufsuchen.
- Verschlucken: Einige Gläser Wasser trinken, um den Mageninhalt zu verdünnen.

## ■ UMWELTINFORMATION

DE

### □ ENERGY STAR® Programm

Toshiba Tec Corporation ist Mitglied des internationalen ENERGY STAR Programms und kennzeichnet alle Produkte, die den ENERGY STAR Richtlinien entsprechen, mit dem ENERGY STAR Logo.



Das internationale ENERGY STAR Programm dient zur Verbreitung und Entwicklung energieeffizienter Bürosysteme, inkl. Computern, um negative Auswirkungen auf die Umwelt und das Klima zu verringern. Hersteller, die an diesem Programm beteiligt sind, können das oben abgebildete Logo an ihren Produkten anbringen, wenn sie die Energiesparstandards dieses Programms erfüllen. Diese Standards und das Logo werden auch von der U.S.-Umweltschutzbehörde und anderen teilnehmenden Ländern verwendet.

Für bestimmte Produkte, Länder oder Regionen gilt dies möglicherweise nicht. Anhand des Logos können Sie erkennen, ob das entsprechende Produkt die ENERGY STAR Richtlinien erfüllt.

Bei weiterführenden Fragen wenden Sie sich bitte an unsere Vertriebspartner.

---

## **□ Blauer Engel**

Zu Toshiba Multifunktionsgeräten oder Druckern, die das deutsche Umweltzeichen des Blauen Engels erhalten haben, finden Sie ausführliche Informationen auf unserer Homepage [www.toshiba-europe.com/tec](http://www.toshiba-europe.com/tec).

# Informations de sécurité

---

## ■ Préface

Merci d'avoir choisi la gamme de systèmes multifonctions Toshiba.

Ce manuel décrit les précautions d'utilisation du système multifonctions TOSHIBA.

Pour plus de sécurité, lisez ce manuel avant d'utiliser votre système. Les modèles diffèrent selon la région.

Le tableau suivant indique les combinaisons du nom du modèle indiqué sur le capot frontal et du nom du modèle indiqué sur l'étiquette d'identification.

Nom de modèle sur le capot frontal	Nom de modèle sur l'étiquette d'identification
e-STUDIO2802A/2802AM/2802AF	DP-2802A/2802AM/2802AF
e-STUDIO2303A	DP-2303A
e-STUDIO2303AM/2803AM	DP-2303AM/2803AM
e-STUDIO2309A/2809A	DP-2309A/2809A

Si la note indique un nom de modèle, c'est qu'elle s'applique au modèle correspondant. Sinon, elle s'applique aux modèles ci-dessus.

Exemple :

**e-STUDIO2309A/2809A** :cette note concerne l'utilisation des systèmes e-STUDIO2309A/2809A.

## □ Marques

D'autres noms de sociétés et de produits présentés dans ce manuel ou affichés dans le logiciel peuvent être des marques de leurs sociétés respectives.

FR

## □ Déni de responsabilité

L'avis suivant définit les exclusions et limitations de responsabilité de TOSHIBA TEC CORPORATION (y compris ses salariés, agents et sous-traitants) vis-à-vis de tout acheteur ou utilisateur ("Utilisateur") des systèmes e-STUDIO2802A/2802AM/2802AF, e-STUDIO2303AM/2803AM ou e-STUDIO2309A/2809A, y compris ses accessoires, options et logiciels associés ("Produit").

1. Les exclusions et limitations de responsabilité mentionnées dans cet avis s'appliqueront jusqu'aux limites extrêmes permises par la loi. Afin d'éviter toute confusion, rien dans cet avis ne doit être interprété comme ayant pour but d'exclure ou de limiter la responsabilité de TOSHIBA TEC CORPORATION en cas de mort ou de blessure causée par la négligence de TOSHIBA TEC CORPORATION ou par une représentation frauduleuse de TOSHIBA TEC CORPORATION.
2. Toutes les garanties, conditions ou autres termes applicables sont exclus, dans la mesure permise par la loi, et aucune garantie tacite de ce type n'est accordée ni ne s'applique aux Produits.

- 
3. TOSHIBA TEC CORPORATION ne sera pas tenu responsable des coûts, pertes, dépenses, sinistres ou dégâts, quels qu'ils soient, survenant pour l'une des raisons suivantes :
- (a) utilisation ou manipulation du Produit autre que celle conforme aux manuels, incluant sans limitations, le Manuel Utilisateur, le Guide de l'utilisateur et/ou une manipulation ou un usage incorrect ou imprudent du Produit ;
  - (b) toute cause empêchant le Produit de fonctionner correctement survenant à la suite de, ou attribuable à des faits, des omissions, des événements ou des accidents hors du contrôle raisonnable de TOSHIBA TEC CORPORATION incluant, sans limitation aucune, catastrophes naturelles, guerres, émeutes, troubles civils, dommages effectués délibérément ou avec intention malveillante, incendies, inondations, tempêtes, cataclysmes, tremblements de terre, tensions hors normes ou autres désastres ;
  - (c) adjonctions, modifications, démontages, transports ou réparations effectués par toute personne autre que des techniciens d'entretien agréés par TOSHIBA TEC CORPORATION ;  
ou
  - (d) utilisation de papiers, fournitures ou pièces détachées autres que ceux recommandés par TOSHIBA TEC CORPORATION.
4. Subordonné au paragraphe 1, TOSHIBA TEC CORPORATION ne sera pas tenu responsable auprès du Client pour les points suivants :
- (a) la baisse de ses profits, de ses ventes, de son chiffre d'affaires, de sa notoriété, de sa production, de ses économies prévues, de ses opportunités d'affaires, du nombre de ses clients, la perte de données et de logiciels et de leur usage, et toute perte liée aux termes d'un contrat ou de son application ;  
ou
  - (b) tout dommage ou perte spécifique, fortuit, consécutif ou indirect, coûts, dépenses, pertes financières ou réclamations de compensation consécutive ;

quels qu'ils soient et de quelque manière qu'ils soient causés et qui résultent ou émanent d'une relation avec le Produit ou avec l'usage et la manipulation du Produit même si TOSHIBA TEC CORPORATION est avertie de la possibilité de tels dommages.

TOSHIBA TEC CORPORATION ne sera pas tenue responsable des pertes, dépenses, coûts, sinistres ou dégâts causés par toute incapacité d'utiliser (y compris, mais sans que cela ne constitue une limitation, des erreurs, dysfonctionnements, blocages, infections par des virus ou autres problèmes) qui émanent de l'usage du Produit avec des matériels, produits ou logiciels que TOSHIBA TEC CORPORATION n'a pas directement ou indirectement fournis.

## ■ CONTRAT DE LICENCE LOGICIELLE DE L'UTILISATEUR FINAL

L'INSTALLATION OU L'UTILISATION DU PRESENT LOGICIEL VAUT ACCEPTATION DES CONDITIONS ET TERMES SUIVANTS (EXCEPTÉ SI UNE LICENCE SEPARÉE EST FOURNIE PAR L'ÉDITEUR DU LOGICIEL APPLICABLE, AUQUEL CAS CETTE DERNIÈRE DOIT S'APPLIQUER). SI VOUS N'ACCEPTÉZ PAS CES TERMES, VOUS N'ÊTES PAS AUTORISÉ À INSTALLER OU À UTILISER CE LOGICIEL, ET DEVEZ LE RETOURNER À VOTRE FOURNISSEUR DANS LES PLUS BREFS DÉLAIS.

---

## **OCTROI DE LICENCE :**

Le présent document est un contrat légal entre vous, l'utilisateur final ("Vous") et TOSHIBA TEC Corporation ("TTEC"). Le présent Logiciel, les polices (y compris les types de caractères) et la documentation associée (le "Logiciel") sont concédés sous licence pour une utilisation avec le système multifonction TTEC sur le périphérique désigné sur lequel le Logiciel a été installé ("Système), conformément aux termes du présent Contrat de licence. Le copyright et autres droits de propriété intellectuelle, titre et propriété du Logiciel sont la propriété de TTEC et de ses fournisseurs. TTEC décline toute responsabilité concernant l'installation et/ou l'utilisation du Logiciel, et le résultat de cette utilisation. Vous êtes autorisé à utiliser une copie du Logiciel installée sur un seul Système mais ne devez en aucun cas copier le Logiciel, sauf pour l'utiliser sur un seul Système. Toutes les copies du Logiciel sont soumises aux conditions du présent Contrat de Licence. Vous n'êtes pas autorisé à modifier, adapter, fusionner, traduire, décompiler, désassembler ou "désosser" le Logiciel, ni à inciter ou à permettre à un tiers de le faire. Vous ne devez utiliser le Logiciel que dans les limites de cette licence. La propriété intellectuelle de ce Logiciel ne vous est transférée à aucun titre et TTEC ou ses fournisseurs en sont les détenteurs exclusifs. Il ne vous est pas octroyé de licence pour le code source du Logiciel. Vous ne pouvez pas apporter de modification, effectuer une suppression, etc. de l'avis de copyright du Logiciel (y compris dans des copies). Vous serez légalement tenu comme responsable de toute contrefaçon du copyright, transfert non autorisé, reproduction ou utilisation du Logiciel.

## **DUREE :**

Cette licence est valable jusqu'à sa résiliation par TTEC ou jusqu'à votre manquement à l'une des dispositions du Contrat de Licence. En cas de résiliation, vous vous engagez à détruire la totalité des copies du Logiciel. Vous pouvez résilier cette licence à tout moment en détruisant le Logiciel et la totalité des copies.

## **LIMITATION DE GARANTIE :**

Le Logiciel est fourni "en l'état" sans aucune garantie expresse ou tacite de quelque nature que ce soit, y compris et sans limitation, les garanties tacites concernant la qualité marchande, l'adéquation à un usage particulier, le titre de propriété et l'absence de contrefaçon. TTEC ne garantit ni la qualité ni les performances du Logiciel. Si le Logiciel se révèle défectueux, Vous (et non TTEC) devrez assumer la totalité des coûts occasionnés par la maintenance, les réparations et les corrections requises. TTEC n'offre aucune garantie quant à l'adéquation des fonctionnalités du Logiciel à vos exigences, à son bon fonctionnement ou à l'exactitude de son contenu.

## **MISE A JOUR ET ARRET DE LA PRODUCTION :**

TTEC est libre de mettre à jour et d'arrêter la production du Logiciel sans aucune restriction.

## **LOGICIELS TIERS :**

Dans certains cas, le Logiciel contient des logiciels tiers (y compris de futures versions mises à jour). Ces logiciels tiers vous sont fournis selon des termes différents de ceux du présent Contrat de Licence, sous la forme d'une clause dans le présent Contrat établi avec les fournisseurs ou dans les fichiers Lisez-moi (ou des fichiers similaires) indépendamment du présent contrat (les "Contrats Séparés, etc."). En utilisant le logiciel tiers, vous devez vous conformer aux termes du logiciel tiers fourni dans les Contrats Séparés, etc. Outre la clause des logiciels tiers, vous devez respecter la clause du présent Contrat de Licence.

FR

---

#### **LIMITATION DE RESPONSABILITE :**

TTEC NE PEUT ETRE TENU RESPONSABLE DE QUELQUE DOMMAGE QUE CE SOIT, DE NATURE CONTRACTUELLE, DELICTUELLE OU AUTRE (à l'exception des préjudices corporels ou décès consécutifs à une négligence de la part de TTEC), Y COMPRIS SANS LIMITATION, TOUT MANQUE A GAGNER, PERTE DE DONNEES OU AUTRE DOMMAGE FORTUIT, SPECIAL OU INDUIT DECOULANT DE L'UTILISATION DE CE PRODUIT OU DE L'IMPOSSIBILITE DE L'UTILISER, MEME SI L'EVENUALITE D'UN TEL DOMMAGE A DEJA ETE PORTEE A LA CONNAISSANCE DE TOSHIBA OU DE SES FOURNISSEURS, NI DES RECLAMATIONS DE TIERS.

#### **LIMITATION DES DROITS DU GOUVERNEMENT AMERICAIN :**

Le Logiciel est fourni avec des DROITS RESTREINTS. L'utilisation, la duplication ou la publication par le gouvernement des Etats-Unis est soumise aux restrictions stipulées dans l'article (b) (3) (ii) ou (c) (i) (ii) de la clause Rights in Technical Data and Computer Software 252.227-7013 ou 52.227-19 (c) (2) des DOD FAR, selon le cas.

#### **GENERALITES :**

Il est interdit de céder en location-vente, de louer, d'octroyer, de transférer cette licence et d'octroyer une sous-licence. Toute tentative d'octroi de sous-licence, de cession en location-vente, de location, d'octroi ou de transfert de quelconques droits, devoirs ou obligations ci-dessous est nulle et non avenue. Vous vous engagez à ne pas expédier ni transmettre, ni exporter ou réexporter (directement ou indirectement) le Logiciel, y compris toute copie dudit Logiciel, toute information technique contenue dans le Logiciel ou ses supports, ou tout produit direct à l'un des pays ou l'une des destinations prohibés par le gouvernement du Japon, des Etats-Unis d'Amérique et du pays concerné. Cette licence est régie par les lois japonaises ou, à la demande d'un fournisseur de TTEC impliqué dans un litige inhérent à ce contrat, par les lois du pays désigné par le fournisseur concerné. Si l'une des dispositions ou parties du présent Contrat de Licence s'avère illégale, non valable ou inexécutable, les autres dispositions ou parties restent en vigueur et applicables.

VOUS RECONNAISSEZ AVOIR PRIS CONNAISSANCE DU PRESENT CONTRAT DE LICENCE ET EN AVOIR COMPRIS LES CLAUSES. VOUS ACCEPTEZ D'ETRE LIE PAR SES TERMES ET CONDITIONS ET RECONNAISSEZ QUE CE CONTRAT DE LICENCE CONSTITUE L'ACCORD INTEGRAL ET EXCLUSIF ENTRE VOUS ET TTEC ET SES FOURNISSEURS, ET REMPLACE TOUTE PROPOSITION OU ACCORD PREALABLE, ORAL(E) OU ECRIT(E), OU TOUTE AUTRE COMMUNICATION RELATIVE AU CONTENU DE CE CONTRAT DE LICENCE.

Le fabricant/fournisseur est TOSHIBA TEC Corporation, 1-11-1, Osaki, Shinagawa-ku, Tokyo, 141-8562, Japan

## **■ Précautions de sécurité**

Pour une utilisation optimale de la fonction de sécurité de ce produit, commencez par lire attentivement les précautions ci-dessous. Assurez-vous d'affecter des administrateurs avec suffisamment d'aptitudes pour assurer une gestion responsable dans la mesure où ils se verront accorder des privilèges significatifs dans le cadre de la gestion du système.



---

## ❑ Aux administrateurs

- Pour éviter des problèmes de sécurité physique, tels que la suppression de matériel ou le désassemblage inapproprié sur le site d'installation, prenez toutes les mesures nécessaires, telles que la vérification de l'identité des personnes accédant au site et en sortant.
- Uniquement pour e-STUDIO2802A/2802AM/2802AF, e-STUDIO2303AM/2803AM et e-STUDIO2309A/2809A : ne connectez le produit avec un réseau extérieur tel qu'Internet que si votre environnement réseau est protégé (par un pare-feu, etc.) afin d'éviter toute fuite d'information résultant d'un paramétrage incorrect et d'empêcher tout accès non autorisé.
- Uniquement pour e-STUDIO2802A/2802AM/2802AF, e-STUDIO2303AM/2803AM et e-STUDIO2309A/2809A : pour empêcher toute modification inappropriée des paramètres de configuration, modifiez le mot de passe de l'administrateur défini par défaut en usine avant d'utiliser ce produit. Veillez également à modifier régulièrement chaque mot de passe défini pour ce produit.
- Uniquement pour e-STUDIO2802A/2802AM/2802AF, e-STUDIO2303AM/2803AM et e-STUDIO2309A/2809A : afin d'utiliser correctement les fonctions du réseau et de gestion par codes départementaux, lisez tout d'abord le Guide de TopAccess et le Guide de l'utilisateur.

Uniquement pour e-STUDIO2303A : pour utiliser correctement les fonctions de gestion par codes départementaux, lisez tout d'abord le Guide de l'utilisateur.

- Veillez à comprendre la politique de sécurité et ses procédures dans votre organisation et à gérer et utiliser ce système dans le respect de la politique après avoir préalablement lu le manuel utilisateur. Expliquez ensuite les instructions de sécurité aux utilisateurs généraux autorisés à utiliser le système afin qu'ils se conforment aux règles de sécurité.
- Fournissez aux utilisateurs généraux les privilèges appropriés à l'utilisation du système et continuez de superviser son fonctionnement correct.
- Uniquement pour e-STUDIO2802A/2802AM/2802AF, e-STUDIO2303AM/2803AM et e-STUDIO2309A/2809A : vérifiez toujours que la fonction réseau ou de gestion par codes départementaux est activée pour assurer la sécurité du produit. En cas d'anomalie ou de dysfonctionnement, contactez immédiatement votre technicien de maintenance. Reportez-vous au Guide de TopAccess et au Guide de l'utilisateur pour obtenir des informations concernant la méthode de vérification.

Uniquement pour e-STUDIO2303A : vérifiez toujours que la fonction de gestion par codes départementaux est activée pour assurer la sécurité du produit. En cas d'anomalie ou de dysfonctionnement, contactez immédiatement votre technicien de maintenance. Pour plus d'informations sur la méthode de vérification, reportez-vous au Guide de l'utilisateur.

## ❑ Remarque à l'attention de l'ensemble des utilisateurs

- Une fois que vous avez terminé d'utiliser le système, n'oubliez pas de retirer les originaux, le papier imprimé ou les périphériques de stockage USB.
- Uniquement pour e-STUDIO2802A/2802AM/2802AF, e-STUDIO2303AM/2803AM et e-STUDIO2309A/2809A : modifiez régulièrement le mot de passe. Veillez à ne pas utiliser de chiffre prévisible tel que votre date de naissance, votre numéro d'ID professionnel et ne le divulguez à personne.
- Ne vous éloignez pas du système durant l'exécution du travail car vos originaux pourraient être vus ou le papier imprimé pourrait être recueilli par un individu.

## ■ Avis aux utilisateurs

Une fois que vous avez sélectionné un emplacement convenable pour l'installation des systèmes e-STUDIO2802A/2802AM/2802AF, e-STUDIO2303A, e-STUDIO2303AM/2803AM ou e-STUDIO2309A/2809A, veuillez à ne pas déplacer ces derniers. Évitez de l'exposer aux rayons directs du soleil et mettez-le à l'abri de la chaleur, de la poussière et des vibrations. Vérifiez par ailleurs que la ventilation est correcte car le copieur émet de l'ozone en petite quantité.

Conformément à la norme , IEC60825-1-2007 et à ses amendements, cette unité est certifiée Produit laser de classe 1.  
L'unité utilise des diodes laser d'une sortie maximale sortie de 10 mW, longueur d'onde de 785 nm, durée d'émission 1,25 µs.

### **ATTENTION**

Afin de ne pas vous exposer à des rayonnements nocifs, veuillez à respecter les consignes d'utilisation fournies dans le présent manuel.

### **AVERTISSEMENT**

Ce produit appartient à la Classe A. Dans un environnement domestique, il peut provoquer des perturbations radioélectriques, auquel cas l'utilisateur devra prendre les mesures adéquates.



Indique que les produits marqués de ce symbole utilisent des rayons laser. La situation est potentiellement dangereuse et peut provoquer des blessures telles que des brûlures ou des troubles optiques si elle n'est pas maîtrisée. Veuillez suivre les recommandations décrites à côté de ce symbole.



Indique une température élevée pour les emplacements marqués de ce symbole. La situation est potentiellement dangereuse et peut provoquer des blessures telles que des brûlures si elle n'est pas maîtrisée. Veuillez ne pas toucher l'emplacement et ses environs.

---

## Etats-Unis uniquement

### **AVIS FCC**

Cet équipement a été testé et déclaré conforme aux restrictions des périphériques numériques de classe A, conformément à l'article 15 de la réglementation de la FCC. Ces restrictions visent à garantir une protection raisonnable contre les interférences néfastes lorsque le système est utilisé dans un environnement commercial. Cet équipement génère, utilise et peut émettre des radiofréquences et, s'il n'est pas installé et utilisé conformément au manuel d'instructions, il risque de causer des interférences néfastes avec les communications radio. L'utilisation de ce système dans une zone résidentielle est susceptible de provoquer des interférences dangereuses ; dans ce cas, l'utilisateur est tenu de prendre les mesures nécessaires pour y remédier à ses frais.

### **AVERTISSEMENT**

Les modifications qui n'ont pas été expressément approuvées par TOSHIBA TEC ou une tierce partie agréée par TOSHIBA TEC peuvent interdire à l'utilisateur d'exploiter le système.

### **Sécurité de l'utilisateur**

Ce système numérique multifonctions TOSHIBA n'émet aucun rayonnement laser dangereux. Conformément au Radiation Control for Health and Safety Act de 1968 et à ses amendements, ce système est certifié Classe 1 (norme relative aux rayonnements du Department of Health and Human Services).

La structure de protection et les capots externes confinent le rayon laser à l'intérieur du système numérique multifonctions, y compris lorsque ce dernier est en cours d'utilisation. Les réglementations américaines mises en œuvre le 2 août 1976 par le Bureau of Radiological Health de la Food and Drug Administration s'appliquent aux produits laser fabriqués depuis le 1er août 1976 et commercialisés aux États-Unis.

### **ATTENTION**

Afin de ne pas vous exposer à des rayonnements nocifs, veillez à respecter les consignes d'utilisation fournies dans le présent manuel.

FR

---

## Pour les Etats-Unis et le Canada

### Informations réglementaires

Toshiba s'engage en faveur de l'environnement en soutenant le programme Call2Recycle de recyclage des piles rechargeables de la RBRC (Rechargeable Battery Recycling Corporation). Pour plus d'informations sur cet organisme et les lieux de collecte des produits usagés, reportez-vous au site Web [www.rbr.org](http://www.rbr.org) ou composez le 1-800-822-8837.

Note aux utilisateurs de l'état de Californie concernant les piles bouton CR : ces éléments contiennent du perchlorate et peuvent par conséquent être soumis à une réglementation particulière.

Pour plus d'informations, reportez-vous au site Web <http://www.dtsc.ca.gov/hazardouswaste/perchlorate/>

### Avertissement Proposition 65 de la Californie : EU-Californie uniquement

#### AVERTISSEMENT

Le Produit peut vous exposer aux phtalates, des produits chimiques provoquant des cancers, des anomalies congénitales et autres troubles de la reproduction, selon l'Etat de Californie. Pour plus d'informations, rendez-vous sur [www.P65Warnings.ca.gov/product](http://www.P65Warnings.ca.gov/product).

### Canada uniquement

This Class A digital apparatus complies with Canadian ICES-003.

Cet appareil numérique de la classe A est conforme à la norme NMB-003 du Canada.

## Union européenne uniquement

### Environnement de travail

Du point de vue de la compatibilité électromagnétique (CEM), l'utilisation de ce produit est limitée dans les environnements suivants :

- Environnements médicaux : ce produit n'est pas un produit médical certifié, conformément à la directive 93/42/CEE relative aux dispositifs médicaux.
- Environnements domestiques (par exemple, à proximité d'un poste de télévision/radio) car ce produit appartient à la classe A (CEM). Dans un environnement domestique, il peut provoquer des perturbations radioélectriques, auquel cas l'utilisateur devra prendre les mesures adéquates.

TOSHIBA TEC ne peut être tenu responsable des conséquences résultant de l'utilisation de ce produit dans des environnements de travail restreints.

L'utilisation de ce produit dans de tels environnements peut générer des interférences électromagnétiques avec les dispositifs situés à proximité et, par conséquent, entraîner un dysfonctionnement, voire l'endommagement ou la perte des données de ces derniers et du produit.

En outre, pour des raisons de sécurité générale, l'utilisation de ce produit en atmosphère explosive n'est pas autorisée.

### Conformité CE

Ce produit porte le marquage CE, conformément aux dispositions prévues par les directives européennes applicables, notamment la directive basse tension 2006/95/CE (avant le 20 avril 2016), la directive 2014/35/UE (après le 20 avril 2016), la directive compatibilité électromagnétique (CEM) 2004/108/CE (avant le 20 avril 2016), la directive 2014/30/UE (après le 20 avril 2016), la directive RoHS 2011/65/CE pour ce produit et les accessoires électriques, et la directive concernant les équipements hertziens et les équipements terminaux de télécommunications 1999/5/CE pour les accessoires de télécommunication. Le marquage CE relève de la responsabilité de TOSHIBA TEC GERMANY IMAGING SYSTEMS GmbH, Carl-Schurz-Str. 7, 41460 Neuss, Allemagne (téléphone : +49-(0)-2131-1245-0).

Pour obtenir une copie de la déclaration de conformité CE, veuillez contacter votre revendeur ou TOSHIBA TEC.

### Avertissement :

Ce produit appartient à la Classe A. Dans un environnement domestique, il peut provoquer des perturbations radioélectriques, auquel cas l'utilisateur devra prendre les mesures adéquates.

Note aux utilisateurs des états membres de l'Union Européenne :



Ce produit porte le marquage CE, conformément aux dispositions prévues par la directive européenne relative aux déchets d'équipements électriques et électroniques (DEEE).

Ce symbole indique que ce produit ne doit pas être jeté avec les ordures ménagères non triées et doit faire l'objet d'une collecte sélective. L'élimination correcte de ce produit contribue à prévenir les éventuelles répercussions négatives sur l'environnement et la santé pouvant survenir à la suite d'un traitement inapproprié.

Pour plus d'informations sur la reprise et le recyclage de ce produit, contactez votre revendeur agréé.

---

Note aux utilisateurs des états membres de l'Union Européenne :



Élimination des batteries et/accumulateurs conformément à la directive européenne relative aux batteries et accumulateurs et aux déchets de batteries et d'accumulateurs.

L'élimination correcte des batteries et/ou des accumulateurs contribue à prévenir les éventuelles répercussions négatives sur l'environnement et la santé pouvant survenir à la suite d'un traitement inapproprié.

Pour plus d'informations sur la reprise et le recyclage des batteries et/ou des accumulateurs, contactez votre revendeur agréé.

Cet appareil n'a pas été conçu pour une utilisation dans le champ de vision direct sur des écrans d'affichage.

Pour éviter l'apparition de reflets inconfortables sur des écrans d'affichage, cet appareil ne doit pas être placé dans le champ de vision direct.

### Pour l'Inde uniquement

Les informations suivantes concernent uniquement l'Inde :



L'utilisation du symbole indique que ce produit ne peut pas être traité comme déchet ménager. L'élimination correcte de ce produit contribue à prévenir les éventuelles répercussions négatives sur l'environnement et la santé pouvant survenir à la suite d'un traitement inapproprié.

Pour plus d'informations sur la reprise et le recyclage de ce produit, contactez votre revendeur agréé.

### Pour l'Argentine uniquement.

Les informations suivantes concernent uniquement la province de Buenos Aires en Argentine :



Les informations suivantes concernent uniquement l'Argentine.

El uso de este símbolo indica que este producto no puede ser tratado como residuos domésticos.

Asegúrese que este producto se deseche correctamente, Usted ayudara a evitar posibles consecuencias negativas para el medio ambiente y la salud humana, que podrían derivarse de la incorrecta manipulación de este producto.

Para mas información sobre el reciclaje de este producto, consulte con nuestro.



---

### Pour la Turquie uniquement

Les informations suivantes concernent uniquement la Turquie :

AEEE Yönetmeliğine Uygundur

### Pour la Chine uniquement

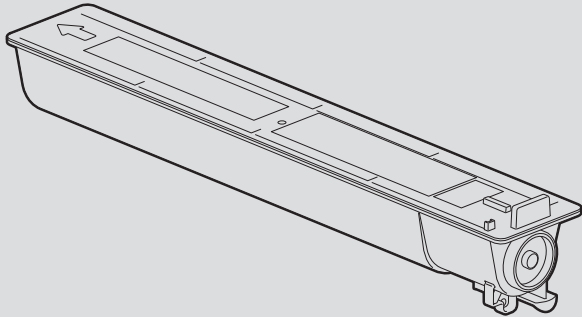
	Indique que les produits marqués de ce symbole peuvent être utilisés dans des régions dont le climat diffère du climat tropical de la Chine.
	Indique que les produits marqués de ce symbole peuvent être utilisés dans les régions de Chine située à au moins 2000 m au-dessus du niveau de la mer.




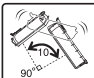

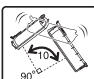

FR

## ■ Excellence de la qualité Toshiba

Pour obtenir de meilleurs résultats, il est conseillé d'utiliser des pièces de rechange et des fournitures certifiées Toshiba.

La figure suivante représente la cartouche de toner pour les systèmes e-STUDIO2802A/2802AM/2802AF.



<p><b>TOSHIBA</b></p> <p><b>T-2802U</b></p> <p>FOR/POUR e-STUDIO2802AM/2802AF</p> <p><small>COMPONENTS: Polyester resin,Carbon black(1333-86-4),Wax, Organic Metal Complex,Titanium dioxide, Amorphous Silica(7631-86-9)</small></p>	<p><b>ORIGINAL &amp; GENUINE TOSHIBA TONER</b></p> <p>NET 338 g</p> <ul style="list-style-type: none"> <li>■ HANDLE WITH CARE.</li> <li>■ STORE IN A DRY PLACE BELOW 35°C(95°F).</li> <li>■ READ THE OPERATING INSTRUCTIONS OF THE MACHINE BEFORE USING.</li> <li>■ DO NOT TOUCH THE METAL CONTACT ON THE CIRCUIT BOARD.</li> </ul> <p><b>TOSHIBA TEC CORPORATION</b> Gate City Ohsaki West Tower, 1-11-1, Osaki, Shinagawa-ku, Tokyo, 141-8562, Japan TEL +81-3-6830-9100 MADE IN CHINA / FABRIQUE EN CHINE</p>	<p>■ MANIPULER AVEC PRECAUTION. ■ GARDER DANS UN ENDROIT SANS HUMIDITE OU LA TEMPERATURE AMBIANTE EST MOINS DE 35°C.</p> <p>■ LIRE LE MANUEL D'EMPLOI DE L'APPAREIL AVANT D'EN FAIRE USAGE.</p> <p>■ NE PAS TOUCHER LA PIECE METALLIQUE SUR LE TABLEAU DE CIRCUITS.</p> <div style="text-align: center;">   </div> <p style="text-align: right; font-size: small;">Patent : <a href="http://www.toshibatec.co.jp/en/patent/">http://www.toshibatec.co.jp/en/patent/</a></p>
<p><b>TOSHIBA</b></p> <p><b>T-2802E</b></p> <p>FOR/POUR/FÜR/DA/PARA e-STUDIO2802AM/2802AF</p> <p><small>COMPONENTS: Polyester resin,Carbon black(1333-86-4),Wax, Organic Metal Complex,Titanium dioxide, Amorphous Silica(7631-86-9)</small></p>	<p><b>ORIGINAL &amp; GENUINE TOSHIBA TONER</b></p> <p>NET 338 g</p> <ul style="list-style-type: none"> <li>● SHAKE WELL BEFORE USING.</li> <li>● AGITER AVANT EMPLOI.</li> <li>● VOR GEBRAUCH GUT SCHÜTTELN.</li> <li>● AGITARE BENE PRIMA DELL'USO.</li> <li>● SACUDIR BIEN ANTES DE USER.</li> </ul> <p><b>TOSHIBA TEC CORPORATION</b> Gate City Ohsaki West Tower, 1-11-1, Osaki, Shinagawa-ku, Tokyo, 141-8562, Japan TEL +81-3-6830-9100 MADE IN CHINA / FABRIQUE EN CHINE HERGESTELLT IN CHINA HECHO EN CHINA / FATTO IN CHINA</p>	<p>■ DO NOT TOUCH THE METAL CONTACT ON THE CIRCUIT BOARD.</p> <p>● NE PAS TOUCHER LES CONTACTS METALLIQUES DU CIRCUIT IMPRIME.</p> <p>● NON TOCCARE IL PEZZO DI METALLO NELLA SCHEDA DEI CIRCUITI.</p> <p>● DAS METALLSTÜCK AUF DER STROMKREISTAFEL NICHT BERÜHREN.</p> <p>● NO TOCAR LA PIEZA METALICA EN EL TABLERO DE CIRCUITOS.</p> <div style="text-align: center;">    </div> <p style="text-align: right; font-size: small;">PAT. P.</p>
<p><b>TOSHIBA</b></p> <p><b>T-2802P</b></p> <p>FOR/POUR e-STUDIO2802A/2802AM/2802AF</p> <p><small>COMPONENTS: Polyester resin,Carbon black(1333-86-4),Wax, Organic Metal Complex,Titanium dioxide, Amorphous Silica(7631-86-9)</small></p>	<p><b>ORIGINAL &amp; GENUINE TOSHIBA TONER</b></p> <p>NET 338 g</p> <ul style="list-style-type: none"> <li>■ HANDLE WITH CARE.</li> <li>■ STORE IN A DRY PLACE BELOW 35°C(95°F).</li> <li>■ READ THE OPERATING INSTRUCTIONS OF THE MACHINE BEFORE USING.</li> <li>■ DO NOT TOUCH THE METAL CONTACT ON THE CIRCUIT BOARD.</li> </ul> <p><b>TOSHIBA TEC CORPORATION</b> Gate City Ohsaki West Tower, 1-11-1, Osaki, Shinagawa-ku, Tokyo, 141-8562, Japan TEL +81-3-6830-9100 MADE IN CHINA / FABRIQUE EN CHINE</p>	<p>■ MANIPULER AVEC PRECAUTION. ■ GARDER DANS UN ENDROIT SANS HUMIDITE OU LA TEMPERATURE AMBIANTE EST MOINS DE 35°C.</p> <p>■ LIRE LE MANUEL D'EMPLOI DE L'APPAREIL AVANT D'EN FAIRE USAGE.</p> <p>■ NE PAS TOUCHER LA PIECE METALLIQUE SUR LE TABLEAU DE CIRCUITS.</p> <div style="text-align: center;">   </div> <p style="text-align: right; font-size: small;">PAT. P.</p>



---

## □ Fournitures/Pièces

- **Fiabilité**

Les fournitures certifiées Toshiba sont soumises aux contrôles les plus stricts afin de vous fournir des niveaux de performances optimaux.

- **Productivité élevée**

Les fournitures certifiées Toshiba sont créées pour répondre aux exigences d'un marché concurrentiel et vous permettre d'effectuer des copies rapidement et avec efficacité, quand vous le souhaitez.

- **Qualité de reproduction stable**

Les fournitures certifiées Toshiba sont conçues pour vous fournir une qualité de reproduction stable.

- **Fournitures adaptées au copieur**

Les fournitures certifiées Toshiba sont conçues pour garantir le bon fonctionnement du copieur et de tous ses composants. L'usure minimale du système est attribuable aux connaissances approfondies de Toshiba sur les caractéristiques du copieur qui garantissent un niveau de qualité optimal.

- **Fournitures parfaitement adaptées**

Les machines et fournitures Toshiba ont toujours été conçues pour s'adapter les unes aux autres. Chaque fois qu'une nouvelle machine Toshiba est conçue, un nouveau toner s'y adaptant parfaitement l'est également. L'utilisation de fournitures TOSHIBA sur votre système TOSHIBA garantit des performances optimales.

## □ Toner

- **Qualité d'image optimale**

Les toners Toshiba sont fabriqués à partir de matériaux ultrafins et sont soumis à des contrôles rigoureux pour que les copieurs Toshiba continuent à générer des images de haute qualité.

- **Rentabilité**

Les toners Toshiba sont synonymes de valeur ajoutée. Seule la quantité de toner nécessaire est utilisée pendant le processus de reproduction, ce qui permet au copieur de fonctionner jusqu'à l'épuisement du toner. Ainsi, vous utilisez pleinement chaque cartouche.

- **Respect de l'environnement**

Les toners Toshiba sont conçus avec le souci de préserver l'environnement. Pour cela, nous utilisons des étiquettes plastiques ou des informations gravées, ce qui permet de recycler entièrement nos cartouches de toner. Par ailleurs, les niveaux d'ozone et de poussière ont été réduits pour améliorer la qualité de l'environnement de travail.

- **Sans risque pour la santé**

Avant d'homologuer nos toners à la vente, nous les avons testés pour vérifier qu'ils respectent bien les standards les plus stricts en matière de santé. Cela élimine toute inquiétude face à la manipulation du toner.

## □ Généralités

- **Avantages liés à l'entretien**

Les techniciens de maintenance Toshiba sont certifiés pour garantir un fonctionnement optimal de votre système. Pour bénéficier une qualité d'image constante, faites appel à un prestataire agréé Toshiba qui se chargera régulièrement de la maintenance de votre copieur.

---

## ■ Pour lire ce manuel

### □ Symboles utilisés dans ce manuel

Dans ce manuel, certains points importants sont signalés au moyen des symboles ci-dessous. Prenez connaissance de ces points importants avant d'utiliser le système.

#### **AVERTISSEMENT**

Indique une situation potentiellement dangereuse qui, si elle n'est pas évitée, peut entraîner le décès, des blessures graves, des dommages importants ou l'incendie du système ou de son environnement.

#### **ATTENTION**

Indique une situation potentiellement dangereuse qui, si elle n'est pas évitée, peut provoquer des blessures mineures ou légères, des dégâts partiels au niveau du système ou du matériel environnant, ou encore des pertes de données.

#### **Remarque**

Fournit des informations auxquelles vous devez porter une attention particulière lors de l'utilisation du système.

Outre les points énoncés plus haut, ce manuel fournit des informations utiles sur l'utilisation du système. Elles sont signalées comme suit :

#### **Conseils**

Fournit des informations auxquelles vous devez porter une attention particulière lors de l'utilisation de ce système.



Pages décrivant des éléments en rapport avec l'action en cours. Consultez-les en fonction de vos besoins.

## ■ Précautions générales

### □ Précautions à prendre lors de l'installation ou d'un déplacement

#### **AVERTISSEMENT**

##### **Pour les Etats-Unis et le Canada**

Ce système numérique multifonctions requiert une alimentation électrique de 120 V, 12 A, 50/60 Hz.

##### **Pour l'Union européenne**

Ce système numérique multifonctions requiert une alimentation électrique de 220 à 240 V CA, 8 A, 50/60 Hz.

##### **Sauf les Etats-Unis, le Canada et l'Union européenne**

Ce système numérique multifonctions requiert une alimentation électrique de 220 à 240 V CA, 8 A, 50/60 Hz.

- N'utilisez pas d'autre tension que celle spécifiée.  
Évitez d'établir plusieurs connexions sur la même prise. Cela pourrait provoquer un incendie ou vous causer une décharge électrique. Si vous envisagez d'ajouter d'autres prises de courant, contactez un électricien.

- Connectez toujours le système numérique multifonctions à une prise de terre pour éviter les risques de choc électrique ou d'incendie en cas de court-circuit. Contactez votre distributeur pour obtenir plus d'informations. Utilisez une prise de terre à trois -fiches. Pour des raisons de sécurité, le système numérique multifonctions doit être relié à la terre dans les régions utilisant des prises à deux fiches (sauf aux États-Unis et au Canada). N'utilisez jamais un tuyau à gaz ou à eau ou tout autre objet non adapté pour la mise à la terre.
- Branchez le cordon d'alimentation électrique correctement dans la prise. S'il n'est pas correctement enfiché, il risque de chauffer et de prendre feu ou de provoquer une décharge électrique.
- Veillez à ne pas endommager, casser ni tenter de réparer vous-même le cordon d'alimentation électrique.

Pour ne pas endommager le cordon d'alimentation électrique, veillez à ne pas :

- le tordre
- le plier
- tirer dessus
- placer quelque chose dessus
- le chauffer
- le placer près de radiateurs ou d'autres sources de chaleur

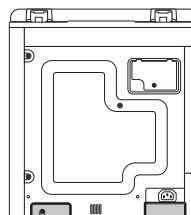
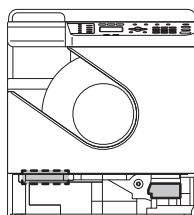
Cela pourrait provoquer un incendie ou vous causer une décharge électrique. Si le cordon d'alimentation électrique est endommagé, contactez votre distributeur.

- N'installez pas vous-même le système ou n'essayez pas de le déplacer une fois qu'il est installé. Vous risqueriez de vous blesser ou d'endommager le système. Pour installer ou déplacer le système, faites toujours appel à votre distributeur.
- Placez les systèmes numériques multifonctions près d'une prise de courant facile d'accès.
- Retirez la fiche de la prise plusieurs fois par an afin de nettoyer les broches. La poussière et la saleté susceptible de s'y accumuler peuvent provoquer un incendie du fait de la chaleur émanant des fuites électriques.

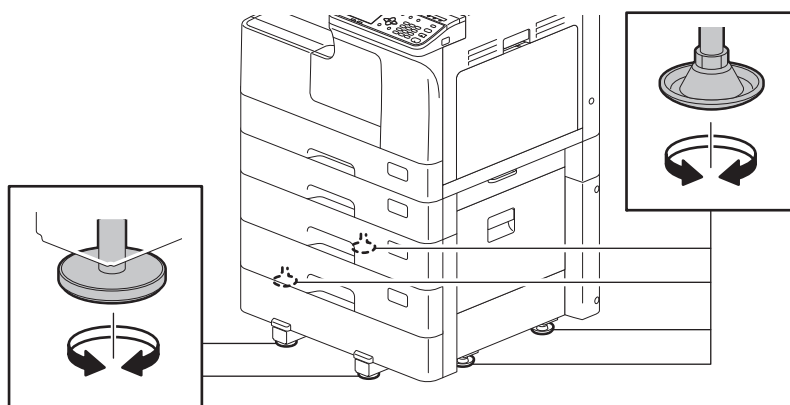
FR

## ⚠ ATTENTION

- Evitez de placer le système dans un endroit inadapté à son poids et posez-le sur une surface plane. Attention : vous risquez de vous blesser gravement en cas de chute du système. Poids de l'équipement, comme indiqué ci-après  
e-STUDIO2802A : environ 19,5 kg (43,0 lb.)  
e-STUDIO2802A : environ 24,0 kg (52,9 lb.)  
e-STUDIO2802AF : environ 24,5 kg (54,0 lb.)  
e-STUDIO2303A : environ 24,3 kg (53,6 lb.)  
e-STUDIO2303AM/2803AM : environ 24,3 kg (53,6 lb.)  
e-STUDIO2309A/2809A : environ 25.0 kg (55.1 lb.)
- (**e-STUDIO2802A/2802AM/2802AF**) Lorsque vous déplacez le système, retirez la cassette et demandez à deux personnes au moins de vous aider à tenir les parties indiquées ci-dessous. Dans le cas contraire, cela pourrait entraîner un dysfonctionnement ou des blessures.



- Lorsque vous débranchez la fiche de la prise, ne tirez pas sur le cordon d'alimentation électrique. Vous devez toujours tenir la fiche lorsque vous la retirez de la prise. Si vous tirez sur le cordon d'alimentation électrique, vous risquez de casser les fils et de provoquer un incendie ou de recevoir une décharge électrique.
- Vérifiez que les aérations ne sont pas obstruées. Une température trop élevée du système numérique multifonctions pourrait provoquer un incendie.
- Avant de connecter le câble d'interface au système, veillez à mettre ce dernier hors tension. Dans le cas contraire, vous risquez un choc électrique.
- (**e-STUDIO2309A/2809A**) Sous le Meuble cassette PFP sont placés 6 supports (dispositifs antidérapants). Une fois le système déplacé et installé, veillez à bien repositionner et abaisser les dispositifs pour l'immobiliser. Verrouillez ensuite les butoirs anti-chute.



### ⚠ AVERTISSEMENT

N'installez pas vous-même le système ou n'essayez pas de le déplacer une fois qu'il est installé. Vous risqueriez de vous blesser ou d'endommager le système. Pour installer ou déplacer le système, faites toujours appel à votre distributeur.

### Autres précautions

- Placez le système près d'une prise de courant facile d'accès.
- Si un espace suffisant n'est pas garanti autour du système, la faible ventilation entraînera des dysfonctionnements ; certaines opérations telles que l'alimentation du bypass et la résolution des incidents papier peuvent également devenir difficiles. Pour vous assurer d'avoir assez d'espace autour du système, suivez les indications du tableau suivant :

Espace nécessaire		
Arrière	Gauche	Droite
20 cm	30 cm	80 cm

- Veillez à bien fixer le cordon d'alimentation électrique pour que personne ne trébuche dessus.
- Dans de mauvaises conditions environnementales, les performances et la sécurité d'utilisation du système numérique multifonctions peuvent être amoindries et des pannes peuvent survenir.
  - Evitez de placer le système près des fenêtres ou de l'exposer aux rayons directs du soleil.
  - Protégez-le des changements de température brusques.

- Protégez-le de la poussière.
- Placez-le dans un endroit exempt de vibration.
- Assurez-vous que l'air circule librement et que la pièce dispose d'une aération suffisante. Si la ventilation n'est pas suffisante, l'odeur désagréable émanant de l'ozone pourrait commencer à se faire sentir.

## □ Utilisation du système numérique multifonctions

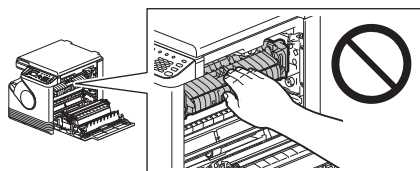
### ⚠ AVERTISSEMENT

- Ne retirez pas le capot du système au risque de vous blesser ou de recevoir une décharge électrique.
- Ne branchez/débranchez pas la fiche électrique en ayant les mains humides ; vous risqueriez de recevoir une décharge électrique.
- Ne placez pas de récipients contenant du liquide (vase, tasse de café, etc.) sur ou à proximité du système.  
Cela pourrait provoquer un incendie ou vous causer une décharge électrique.
- Eloignez trombones et agrafes de la grille d'aération. Cela pourrait provoquer un incendie ou vous causer une décharge électrique.
- En cas d'augmentation excessive de la température du système numérique multifonctions, ou en cas de fumée, d'odeur ou de bruit suspect, procédez comme suit :  
Mettez l'interrupteur d'alimentation électrique en position d'arrêt, retirez la fiche de la prise de courant et appelez votre distributeur.
- Si vous prévoyez de ne pas utiliser le système numérique multifonctions pendant plus d'un mois, par mesure de sécurité, retirez la fiche de la prise de courant pendant cette période. En cas de problème d'isolation, vous risquez de provoquer un incendie ou de recevoir une décharge électrique.
- Ne touchez aucune autre partie de l'équipement que celles indiquées dans le Manuel de l'utilisateur. Cela peut entraîner des risques de dysfonctionnement, de choc électrique, de blessure ou de brûlure.

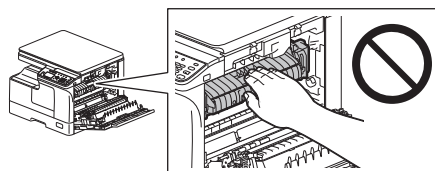
### ⚠ ATTENTION

- Ne placez pas d'objets lourds (4 kg ou plus) sur la vitre d'exposition et n'appuyez pas dessus de manière excessive. Vous risqueriez de la briser et de vous blesser.
- Ne placez pas d'objets lourds (4 kg ou plus) sur le système numérique multifonctions. La chute de ces objets pourrait blesser quelqu'un.
- (**e-STUDIO2802A/2802AM/2802AF**) Assurez-vous de tenir la cassette à deux mains et veillez à ne pas la faire tomber lors de son déplacement ou de son installation. Si vous la laissez tomber, vous risqueriez de vous blesser.
- Veillez à ne pas vous coincer les doigts lorsque vous fermez la cassette. Vous risqueriez de vous blesser.
- Ne touchez pas l'unité four ni la partie métallique qui l'entoure. Ces zones étant très chaudes, vous risqueriez de vous brûler ou de vous blesser les mains.

e-STUDIO2802A/2802AM/2802AF

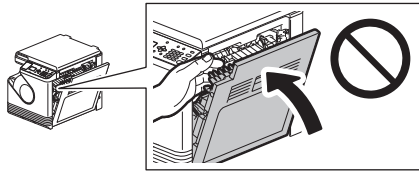


e-STUDIO2303A/2303AM/2803AM/2309A/2809A

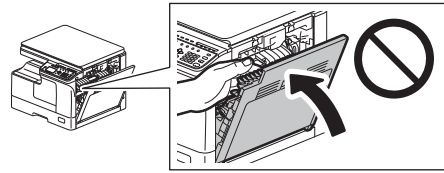


- 
- Prenez garde à ne pas vous coincer les doigts entre le système et le capot latéral. Vous risqueriez de vous blesser.

e-STUDIO2802A/2802AM/2802AF



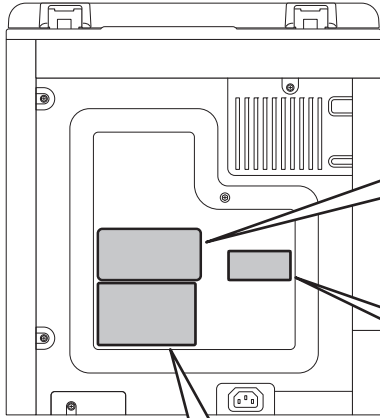
e-STUDIO2303A/2303AM/2803AM/2309A/2809A



- À la fermeture ou à l'ouverture du chargeur automatique de documents ou du chargeur retourneur automatique de documents, prenez garde à ne pas vous coincer les doigts entre le système et la partie arrière. Vous risqueriez de vous blesser.
- N'utilisez pas les cassettes extraites de leur logement comme des marches. Vous risqueriez de vous blesser en tombant.

# Position des étiquettes de certification, etc.

## e-STUDIO2802A/2802AM/2802AF



Etiquette explicative



Etiquette de certification (pour les Etats-Unis et le Canada)

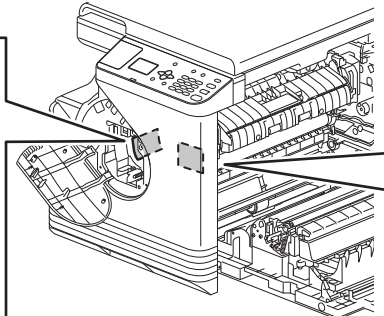


Etiquette d'identification

<p>Pour les Etats-Unis et le Canada</p> <p><b>TOSHIBA</b> MULTIFUNCTIONAL DIGITAL SYSTEMS /SYSTEME MULTIFONCTION NUMERIQUE e-STUDIO2802AM MODEL/MODELE DP-2802AM 120V ~ 50/60Hz 12A NO.</p> <p> complies with UL 60950-1 CSA C22.2 No.60950-1</p> <p><b>TOSHIBA TEC CORPORATION</b> TC MADE IN CHINA/FABRIQUE EN CHINE</p>	<p>Pour l'Union européenne</p> <p><b>TOSHIBA</b> MULTIFUNCTIONAL DIGITAL SYSTEMS /SYSTEME MULTIFONCTION NUMERIQUE e-STUDIO2802AM MODEL/MODELE DP-2802AM 220-240V ~ 50/60Hz 8A NO.</p> <p> </p> <p><b>TOSHIBA TEC CORPORATION</b> TC MADE IN CHINA/FABRIQUE EN CHINE</p>
--	---

FR

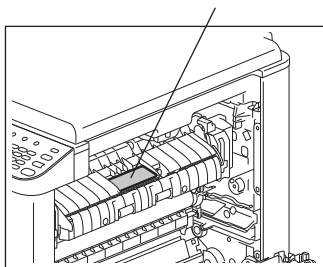
Etiquette d'avertissement



Etiquette d'avertissement



Avertissement relatif à la surchauffe des composants (unité de fusion)




# e-STUDIO2303A/2303AM/2803AM/2309A/2809A

## Etiquette d'identification

Pour les Etats-Unis et le Canada

**TOSHIBA**  
 MULTIFUNCTIONAL DIGITAL SYSTEMS  
 /SYSTEME MULTIFONCTION NUMERIQUE e-STUDIO2809A  
 MODEL/MODELE DP-2809A  
 120V ~  
 50/60Hz 12A  
 NO.




 complies with  
 UL 60950-1  
 CSA C22.2 No.60950-1

**TOSHIBA TEC CORPORATION** TC  
 MADE IN CHINA/FABRIQUE EN CHINE

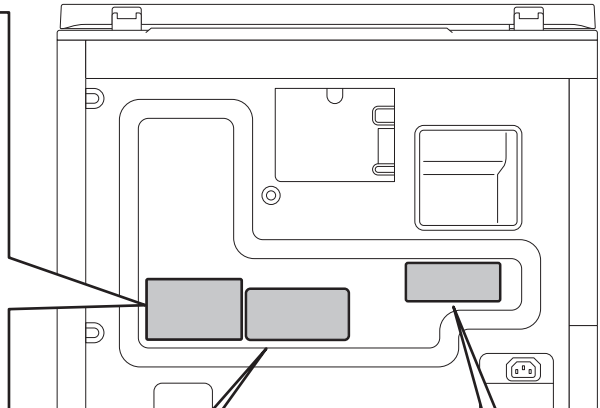
---

Pour l'Union européenne

**TOSHIBA**  
 MULTIFUNCTIONAL DIGITAL SYSTEMS  
 /SYSTEME MULTIFONCTION NUMERIQUE e-STUDIO2809A  
 MODEL/MODELE DP-2809A  
 220-240V ~  
 50/60Hz 8A  
 NO.

**TOSHIBA TEC CORPORATION** TC  
 MADE IN CHINA/FABRIQUE EN CHINE



## Etiquette explicative

CLASS 1 LASER PRODUCT  
 APPAREIL À LASER DE CLASSE 1  
 LASER KLASSE 1  
 PRODUCTO DE LASER DE CLASE 1  
 クラス1 レーザー製品

>PS<

## Etiquette de certification (pour les Etats-Unis et le Canada)

Product is certified by the manufacturer to comply with DHHS Rule 21 CFR subchapter J applicable at the date of Manufacture.

Manufactured: TS

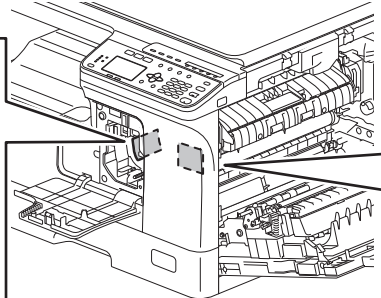
**TOSHIBA TEC CORPORATION**  
 1-11-1, OSAKI, SHINAGAWA-KU, TOKYO, 141-8562, JAPAN

## Etiquette d'avertissement



>PS<

危険-ドラムユニットを外したり光学ユニットを開けたときトアスイッチを無効にするクラス3Bの不可視レーザー放射の恐れあり。ビームの直接曝露を避けよ。  
 DANGER-CLASS 3B INVISIBLE LASER RADIATION WHEN OPTICAL UNIT OPEN OR DRUM UNIT REMOVED AND INTERLOCK DEFEATED. AVOID DIRECT EXPOSURE TO BEAM.  
 VORSICHT-KLASSE 3B UNSICHTBARE LASERSTRAHLUNG, WENN DIE ABDECKUNG GEÖFFNET ODER DIE TROMMEL ENTFERNT UND DIE VERBIEGELUNG UNWIRKSAM GEMACHT WIRD. NICHT DIREKT DEM STRAHL AUSSETZEN.  
 DANGER-CLASSE 3B RAYON LASER INVISIBLE LORSQUE LE BLOC OPTIQUE EST OUVERT, LE TAMBOUR RETIRE ET LE VERROUILLAGE HORS D'USAGE. EVITER L'EXPOSITION DIRECTE AU RAYON.  
 PELIGRO-RADIAACION INVISIBLE DE LASER CLASE 3B CUANDO LA UNIDAD OPTICA ESTA ABIERTA O LA UNIDAD DEL CILINDRO ES RETIRADA Y CUANDO EL INTERRUPTOR DE SEGURIDAD ESTA DE SACTIVADO. EVITE EXPOSICION DIRECTA AL RAYO.



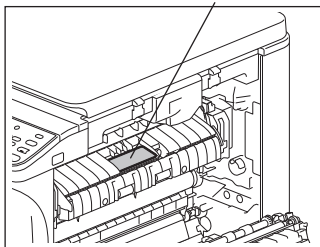
## Etiquette d'avertissement



>PS<

危険-ドラムユニットを外したり光学ユニットを開けたときトアスイッチを無効にするクラス3Bの不可視レーザー放射の恐れあり。ビームの直接曝露を避けよ。  
 DANGER-CLASS 3B INVISIBLE LASER RADIATION WHEN OPTICAL UNIT OPEN OR DRUM UNIT REMOVED AND INTERLOCK DEFEATED. AVOID DIRECT EXPOSURE TO BEAM.  
 VORSICHT-KLASSE 3B UNSICHTBARE LASERSTRAHLUNG, WENN DIE ABDECKUNG GEÖFFNET ODER DIE TROMMEL ENTFERNT UND DIE VERBIEGELUNG UNWIRKSAM GEMACHT WIRD. NICHT DIREKT DEM STRAHL AUSSETZEN.  
 DANGER-CLASSE 3B RAYON LASER INVISIBLE LORSQUE LE BLOC OPTIQUE EST OUVERT, LE TAMBOUR RETIRE ET LE VERROUILLAGE HORS D'USAGE. EVITER L'EXPOSITION DIRECTE AU RAYON.  
 PELIGRO-RADIAACION INVISIBLE DE LASER CLASE 3B CUANDO LA UNIDAD OPTICA ESTA ABIERTA O LA UNIDAD DEL CILINDRO ES RETIRADA Y CUANDO EL INTERRUPTOR DE SEGURIDAD ESTA DE SACTIVADO. EVITE EXPOSICION DIRECTA AL RAYO.

## Avertissement relatif à la surchauffe des composants (unité de fusion)

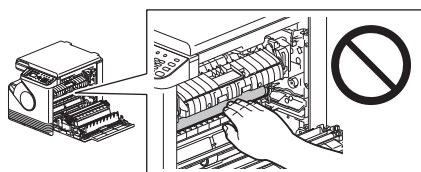




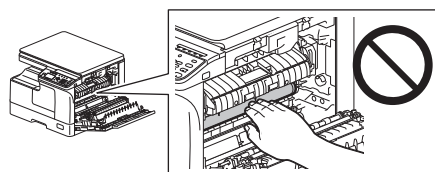
## Autres précautions

- Ne mettez pas le système hors tension si du papier est coincé à l'intérieur. Cela pourrait entraîner des dysfonctionnements au redémarrage du système.
- Veillez à mettre le système hors tension lorsque vous quittez votre bureau ou si une panne de courant survient. En revanche, ne mettez pas le système hors tension si la minuterie hebdomadaire est activée.
- Attention : les copies, ainsi que leur zone de sortie, peuvent être très chaudes.
- Ne placez rien d'autre que du papier dans le bac de réception. Cela pourrait entraîner un dysfonctionnement du système.
- Ne touchez pas au tambour photoconducteur. Cela pourrait réduire la qualité de l'image.

e-STUDIO2802A/2802AM/2802AF



e-STUDIO2303A/2303AM/2803AM/2309A/2809A



- Au cours d'opérations d'impression, vous ne devez en aucun cas ouvrir ou fermer les capots, le bypass et les cassettes.

## ❑ Précautions à prendre lors de la maintenance ou d'une inspection

### ⚠ AVERTISSEMENT

- Ne tentez jamais de réparer, de désassembler ni de modifier vous-même le système numérique multifonctions. Vous risqueriez de provoquer un incendie ou de subir une décharge électrique.  
Appelez systématiquement votre distributeur pour la maintenance ou la réparation des pièces internes du système numérique multifonctions.
- Ne laissez pas de liquides (eau, huile) s'introduire à l'intérieur du système lorsque vous nettoyez le sol. Vous risqueriez de provoquer un incendie et de recevoir une décharge électrique.

### ⚠ ATTENTION

- La fiche et la prise de courant doivent toujours être propres. Faites en sorte que la poussière et la saleté ne s'y accumulent pas. La chaleur émanant des fuites électriques pourrait provoquer des décharges électriques, voire un incendie.

## Autres précautions

- Pour nettoyer la surface du système numérique multifonctions, n'utilisez pas de solvant (ni alcool, ni diluant).
  - Vous risqueriez de déformer ou de décolorer la surface.
  - Lorsque vous utilisez un produit chimique pour le nettoyer, portez une attention toute particulière à chaque avertissement.

## ❑ Précautions à prendre lors de la manipulation des fournitures

### ⚠ ATTENTION

- Ne tentez jamais de brûler les cartouches de toner. Jetez les cartouches de toner usagées conformément à la législation locale.

---

## Autres précautions

- Lisez attentivement le manuel opérateur pour remplacer la cartouche du toner en suivant la procédure appropriée. Le non-respect des instructions peut entraîner une fuite ou le renversement du toner.
- Ne forcez pas l'ouverture de la cartouche du toner. Cela risque d'entraîner une fuite ou le renversement du contenu du toner.
- Maintenez la cartouche du toner hors de portée des enfants.
- Si vous renversez le toner sur un vêtement, lavez-le à l'eau froide. Vos vêtements seront tachés de manière indélébile et vous ne pourrez pas faire disparaître la tache à l'eau chaude.
- En cas de fuite du toner par la cartouche, vous ne devez pas inhaler ou toucher le contenu du toner.

### Premiers secours

Si vous avez inhalé ou touché le contenu du toner, prenez les mesures suivantes.

- Inhalation : quittez le lieu d'exposition et sortez immédiatement à l'air frais. Appelez un médecin si vous éprouvez des difficultés à respirer ou si vous présentez d'autres symptômes.
- Contact cutané : lavez la peau à l'eau savonneuse. Lavez le vêtement taché avant de le porter à nouveau. En cas d'irritation (durable ou non), consultez un médecin.
- Contact avec les yeux : rincez abondamment les yeux à l'eau pendant au moins 15 minutes. Si l'irritation persiste, consultez un médecin.
- Ingestion : buvez plusieurs verres d'eau afin de diluer le contenu de l'estomac.

## ■ Respect de l'environnement

### Programme ENERGY STAR®

En tant que membre du programme ENERGY STAR, Toshiba Tec Corporation appose le logo ENERGY STAR sur tous ses produits conformes à ce programme.



Le programme ENERGY STAR vise à promouvoir le développement et l'utilisation des technologies d'éconergie au sein des équipements de bureau afin de limiter les risques écologiques, notamment le réchauffement climatique. Les fabricants participant à ce programme peuvent apposer le logo ENERGY STAR sur leurs produits si ces derniers satisfont aux normes d'éconergie du programme. Ces normes et logo sont largement utilisés au sein de l'agence américaine de protection de l'environnement (EPA, Environmental Protection Agency) et des pays participants.

Certains produits, pays de vente et régions mentionnés peuvent être exclus du programme. La présence du logo sur le produit atteste de la conformité de ce dernier aux normes du programme ENERGY STAR.

Pour toute question, contactez votre distributeur.

# Información de Seguridad

## ■ Prefacio

Gracias por adquirir el Sistema digital multifuncional Toshiba.

La INFORMACIÓN DE SEGURIDAD describe las precauciones que es necesario adoptar para usar este Sistema digital multifuncional TOSHIBA.

Para una mayor seguridad, asegúrese de leer este manual antes de utilizar el equipo. Los modelos varían de región a región.

La siguiente tabla muestra combinaciones del nombre de modelo indicado en la portada y el nombre de modelo proporcionado en la etiqueta de identificación.

Nombre de modelo en la portada	Nombre de modelo en la etiqueta de identificación
e-STUDIO2802A/2802AM/2802AF	DP-2802A/2802AM/2802AF
e-STUDIO2303A	DP-2303A
e-STUDIO2303AM/2803AM	DP-2303AM/2803AM
e-STUDIO2309A/2809A	DP-2309A/2809A

Si en la nota se indica un nombre de modelo, dicho modelo será el aplicable. En caso contrario, los modelos aplicables serán los indicados arriba.

Ejemplo:

**e-STUDIO2309A/2809A:** Es una nota para utilizar e-STUDIO2309A/2809A.

## □ Marcas registradas

El resto de nombres de empresas y productos que se indican o que aparecen en este software pueden ser marcas comerciales que pertenecen a las respectivas empresas.

## □ Exención de responsabilidad

La siguiente declaración establece las exclusiones y limitaciones de responsabilidad de TOSHIBA TEC CORPORATION (incluidos sus empleados, agentes y subcontratistas) ante cualquier comprador o usuario ('Usuario') de e-STUDIO2802A/2802AM/2802AF, e-STUDIO2303A, e-STUDIO2303AM/2803AM o e-STUDIO2309A/2809A, incluidos sus accesorios, opciones y software ('Producto').

1. Las exclusiones y las limitaciones de responsabilidad referidas en esta declaración serán efectivas en toda su extensión según lo permita la ley. Para evitar dudas, nada de lo expuesto en esta declaración deberá considerarse excluyente o limitación de la responsabilidad de TOSHIBA TEC CORPORATION en lo referente a posibles muertes o lesiones personales derivadas de la negligencia de TOSHIBA TEC CORPORATION o de falsedad en documentos por parte de TOSHIBA TEC CORPORATION.
2. Toda garantía, condición u otras condiciones exigidas por la ley quedan excluidas en la medida en que lo admita la ley. Tampoco se ofrecen o rigen tales garantías implícitas en relación a los productos.

ES

- 
3. TOSHIBA TEC CORPORATION no será responsable ante cualquier pérdida, coste, gasto, reclamación o daños siempre y cuando sea consecuencia de alguna de las siguientes causas:
- (a) el uso o manejo del Producto de un modo distinto al descrito en los manuales, incluidos, pero sin limitarse a ellos, el manual del operador, la guía de usuario o el uso incorrecto o inadecuado del Producto;
  - (b) cualquier causa que impida que el Producto funcione correctamente y que se derive o sea atribuible a actos, omisiones, sucesos o accidentes acontecidos más allá del control razonable de TOSHIBA TEC CORPORATION, incluidos, pero sin limitarse a ellos, sucesos de fuerza mayor, guerra, disturbios, revueltas civiles, daños deliberados o maliciosos, incendios, inundaciones, tormentas o desastres naturales, terremotos, valores de tensión anormales o cualquier otro tipo de desastre;
  - (c) la adición, modificación, desmontaje, transporte o reparación por parte de cualquier persona que no pertenezca a un servicio técnico autorizado por TOSHIBA TEC CORPORATION; o
  - (d) el uso de papel, consumibles o componentes distintos de los recomendados por TOSHIBA TEC CORPORATION.
4. Según lo dispuesto en el párrafo 1, TOSHIBA TEC CORPORATION no será responsable ante el Cliente por:
- (a) el lucro cesante; la pérdida de ventas o facturación; la pérdida o el perjuicio de su reputación; la pérdida de producción; la pérdida de ahorros anticipados; la pérdida de negocio u oportunidades comerciales; la pérdida de clientes; la pérdida, o la imposibilidad de hacer uso de cualquier software o información; la pérdida derivada o relacionada con algún contrato;
  - o
  - (b) cualquier pérdida o daño especial, incidental, emergente o indirecto, coste, gasto, pérdida financiera o reclamación para compensaciones emergentes;

cualquiera que sea el motivo provocado que se derive o esté relacionado con el Producto o con el uso o el manejo del Producto, incluso en el caso de que TOSHIBA TEC CORPORATION esté avisada de la posibilidad de que se produzcan dichos daños.

TOSHIBA TEC CORPORATION no será responsable de ninguna pérdida, coste, gasto, reclamación o daño causados por la imposibilidad de uso (incluidos, pero sin limitarse a ellos, el fallo, el funcionamiento incorrecto, el bloqueo, la infección de un virus o cualquier otro problema), derivados del uso del Producto con hardware, bienes o software no suministrado directa o indirectamente por parte de TOSHIBA TEC CORPORATION.

## ■ ACUERDO DE LICENCIA DE SOFTWARE DE USUARIO FINAL

TODA INSTALACIÓN O UTILIZACIÓN DEL PRESENTE SOFTWARE IMPLICARÁ LA ACEPTACIÓN POR PARTE DEL USUARIO DE LAS SIGUIENTES CONDICIONES Y CLÁUSULAS (A NO SER QUE EL PROVEEDOR CONCEDA UNA LICENCIA INDIVIDUAL DEL SOFTWARE ESPECÍFICO, EN CUYO CASO SE TENDRÁ EN CUENTA DICHA LICENCIA INDIVIDUAL). EN CASO DE QUE NO SE ACEPTEN ESTAS CONDICIONES, EL USUARIO NO ESTARÁ AUTORIZADO A INSTALAR NI A UTILIZAR EL PRESENTE SOFTWARE. ASIMISMO, DEBERÁ DEVOLVER EL SOFTWARE AL PUNTO DE VENTA EN EL QUE LO ADQUIRIÓ.

---

## **CONCESIÓN DE LA LICENCIA:**

Éste es un acuerdo legal celebrado entre usted, el usuario final (en adelante "Usuario"), y TOSHIBA TEC Corporation ("TTEC"). Por el presente, se licencia este software, sus respectivas fuentes (incluidas las fuentes tipográficas) y toda la información pertinente (en adelante "Software") para su utilización en el MFP de TTEC en el que se instale en el dispositivo designado que use (en adelante "Sistema") de conformidad con las condiciones contempladas en el presente Acuerdo de licencia. Los derechos de copyright y otros derechos de propiedad intelectual, titularidad y propiedad del Software son propiedad y pertenecen a TTEC y sus proveedores. TTEC no asume responsabilidad alguna por la instalación y/o utilización del Software ni por los resultados obtenidos con la utilización del Software. El usuario puede utilizar una copia del Software para instalarlo en un único Sistema y no está autorizado a copiar el Software bajo ninguna circunstancia que no sea para su utilización en un único Sistema. Todas las copias que se hagan del presente Software estarán sujetas a las condiciones contempladas en el presente Acuerdo de licencia. Asimismo, el Usuario no podrá modificar, adaptar, fusionar, traducir ni llevar a cabo operaciones de compilación inversa, ensamblaje inverso o ingeniería inversa en el Software. El Usuario no podrá utilizar el Software de forma contraria a lo especificado en esta licencia. No se le transfiere ninguna titularidad con respecto a la propiedad intelectual del Software; TTEC y sus proveedores son los únicos propietarios del mismo. No se licencia el código fuente del Software al Usuario. No puede realizar ninguna modificación, eliminación, etc., con respecto al aviso de copyright del Software (incluido por duplicado). Se considerará al Usuario responsable legal de cualquier incumplimiento de las leyes de copyright, cualquier transferencia no autorizada, así como de toda reproducción o utilización del Software.

## **VIGENCIA:**

Esta licencia permanecerá vigente hasta que TTEC la rescinda o hasta que el Usuario incurra en el incumplimiento de las condiciones contempladas en el presente Acuerdo de licencia. Una vez finalizado el Acuerdo, el Usuario se compromete a destruir todas las copias del Software. El Usuario podrá, en cualquier momento, dar por finalizado este Acuerdo mediante la destrucción del Software y de todas las copias.

## **EXENCIÓN DE RESPONSABILIDAD:**

Este software se suministra "TAL CUAL" sin garantías de ningún tipo, expresas o implícitas. Asimismo, incluye, aunque no está limitado a ello, las garantías impresas de comerciabilidad, idoneidad para un fin concreto, titularidad y no infracción. TTEC queda exenta de cualquier responsabilidad relacionada con la calidad y el rendimiento del Software. En caso de que el Software esté defectuoso, será el Usuario (y no TTEC) quien corra con los gastos de toda la asistencia, servicio o reparaciones necesarias. TTEC no garantiza que las funciones del presente Software se ajusten a sus necesidades ni que el funcionamiento del Software sea continuo o libre de errores.

## **ACTUALIZACIONES Y CESACIÓN:**

TTEC puede actualizar y cesar el suministro del Software sin ninguna restricción.

## **SOFTWARE DE TERCEROS:**

Hay casos en los que el Software (incluidas versiones actualizadas futuras) contiene software de terceros. Dicho software de terceros se le proporciona con unas condiciones diferentes de las estipuladas en este Acuerdo de licencia, en la forma de las condiciones establecidas en el Acuerdo de licencia con los proveedores o los archivos Léame (o archivos similares a los archivos Léame) de forma separada a este Acuerdo de licencia ("Acuerdos independientes, etc."). Cuando utilice el software de terceros, debe respetar las condiciones del software de terceros establecidas en los Acuerdos independientes, etc. Excepto por las condiciones del software de terceros, debe respetar las condiciones estipuladas en este Acuerdo de licencia.

---

## **LIMITACIÓN DE RESPONSABILIDAD:**

BAJO NINGUNA CIRCUNSTANCIA TTEC SERÁ RESPONSABLE ANTE EL USUARIO POR CUALQUIER DAÑO SUFRIDO, POR CONTRATO, COACCIÓN O CUALQUIER OTRO DAÑO (salvo lesiones personales o incluso la muerte ocasionadas por negligencia de TTEC), INCLUIDAS, AUNQUE SIN LIMITARSE A ELLO, LAS PÉRDIDAS DE BENEFICIOS, LAS PÉRDIDAS DE DATOS, LAS PÉRDIDAS DE GANANCIAS O CUALQUIER OTRO TIPO DE DAÑO ACCIDENTAL, ESPECIAL U ORIGINADO POR LA UTILIZACIÓN O INCAPACIDAD PARA UTILIZAR EL SOFTWARE, TANTO SI SE HA NOTIFICADO A TTEC O A SUS PROVEEDORES DE LA POSIBILIDAD DE DICHOS DAÑOS, COMO SI SE HAN PRESENTADO QUEJAS POR PARTE DE TERCEROS.

## **DERECHOS RESTRINGIDOS DE LA ADMINISTRACIÓN DE EE.UU.:**

El presente Software se suministra con DERECHOS RESTRINGIDOS. La utilización, duplicación o difusión del Software por parte de la administración de los EE.UU. está sujeta a las restricciones establecidas en el subapartado (b) (3) (ii) o (c) (i) (ii) de los Derechos de Datos Técnicos y Software Informático establecidos en el apartado 252.227-7013 ó 52.227-19 (c) (2) de la DOD FAR, según corresponda.

## **GENERAL:**

El Usuario no está autorizado a sublicenciar, arrendar, alquilar, asignar o transferir la presente licencia o el Software. Todo intento de sublicenciar, arrendar, alquilar, asignar o transferir cualquiera de los derechos, obligaciones o responsabilidades descritas en el presente se considerará nulo. El Usuario reconoce que no es su intención y que no transferirá, transmitirá, exportará o re-exportará (directa o indirectamente) el Software o cualquier copia de éste, así como tampoco ninguna información técnica contenida en el Software o en alguno de sus medios, ni cualquier producto directo a cualquier país o destino prohibido por el gobierno de Japón, EE.UU. y el país correspondiente. Esta licencia estará sujeta a las leyes pertinentes de Japón o, en caso de que se designe a un proveedor de TTEC implicado en un conflicto originado o derivado a raíz del presente Acuerdo, a las leyes del país designado por el proveedor relevante de TTEC. En caso de que alguna disposición del presente Acuerdo de licencia sea ilegal, no válida o no aplicable, las disposiciones restantes permanecerán en vigor y se podrá exigir su cumplimiento en todo momento.

EL USUARIO RECONOCE QUE HA LEÍDO EL PRESENTE ACUERDO DE LICENCIA Y QUE COMPRENDE TODAS LAS DISPOSICIONES Y CONDICIONES EN ÉL CONTENIDAS. ASIMISMO, EL USUARIO ACEPTA LAS CONDICIONES Y CLÁUSULAS DE ESTA LICENCIA. POR ÚLTIMO, EL USUARIO TAMBIÉN ACEPTA QUE EL PRESENTE ACUERDO DE LICENCIA CONSTITUYE UN ACUERDO EXCLUSIVO E INDIVISIBLE ENTRE EL USUARIO Y TTEC Y SUS RESPECTIVOS PROVEEDORES, Y QUE EL PRESENTE ACUERDO PREVALECE SOBRE CUALQUIER PROPUESTA O ACUERDO ANTERIOR, VERBAL O ESCRITO, O SOBRE CUALQUIER OTRO TIPO DE COMUNICACIÓN RELATIVA AL OBJETO DEL PRESENTE ACUERDO DE LICENCIA.

El contratista/fabricante es TOSHIBA TEC Corporation, 1-11-1, Osaki, Shinagawa-ku, Tokio, 141-8562, Japón.

## **■ Precauciones de seguridad**

Para usar correctamente la función de seguridad de este producto, en primer lugar debe leer detenidamente las siguientes instrucciones. Asegúrese de asignar administradores con la suficiente capacidad para que la administración sea responsable puesto que se les concederán privilegios de gestión y manipulación del equipo importantes.

## **□ Información para los administradores**

- Para evitar problemas de seguridad física, como la extracción de hardware o el desmontaje inadecuado en el lugar de instalación, tome todas las medidas necesarias, como la comprobación de quién entra y sale del emplazamiento.

- 
- (Solo para e-STUDIO2802A/2802AM/2802AF, e-STUDIO2303AM/2803AM, e-STUDIO2309A/2809A) En caso de conectar este producto a una red externa, como Internet, úselo solo en un entorno de red protegido con un firewall, etc., para impedir que se pierda información a causa de una configuración incorrecta o que usuarios no autorizados tengan acceso ilegal a los datos.
  - (Solo para e-STUDIO2802A/2802AM/2802AF, e-STUDIO2303AM/2803AM, e-STUDIO2309A/2809A) Para impedir que se altere la configuración de forma inadecuada o se realicen otras acciones similares, cambie las contraseñas de administrador predeterminadas de fábrica antes de usar el producto. Asimismo, asegúrese de modificar periódicamente todas las contraseñas configuradas en el producto.
  - (Solo para e-STUDIO2802A/2802AM/2802AF, e-STUDIO2303AM/2803AM, e-STUDIO2309A/2809A) Con el fin de hacer un uso adecuado de la función de red y de la función de gestión de departamentos, asegúrese de leer primero la Guía de TopAccess y la Guía del usuario.  
(Solo para e-STUDIO2303A) Con el fin de hacer un uso adecuado de la función de gestión de departamentos, asegúrese de leer primero la Guía del usuario.
  - Asegúrese de comprender la política de seguridad y su procedimiento en la organización y administre y use este equipo según la política después de leer el manual del operador. A continuación, explique las instrucciones de seguridad a los usuarios generales con autorización para usar el equipo para que se adapten a la regla de seguridad.
  - Proporcione a los usuarios generales los privilegios adecuados para usar el equipo y supervise que su uso es correcto.
  - (Solo para e-STUDIO2802A/2802AM/2802AF, e-STUDIO2303AM/2803AM, e-STUDIO2309A/2809A) Compruebe siempre si la función de red o la función de gestión de departamentos está activada con el fin de mantener la seguridad. En caso de detectar alguna anomalía, póngase inmediatamente en contacto con el servicio técnico. Para obtener información sobre el método de comprobación, consulte la Guía de TopAccess y la Guía del usuario.  
(Solo para e-STUDIO2303A) Compruebe siempre si la función de gestión de departamentos está activada con el fin de mantener la seguridad. En caso de detectar alguna anomalía, póngase inmediatamente en contacto con el servicio técnico. Para obtener información sobre el método de comprobación, consulte la Guía del usuario.

## □ Información para los usuarios generales

- Cuando termine de utilizar el equipo, recuerde quitar cualquier original, papel impreso o dispositivo de almacenamiento USB.
- (Solo para e-STUDIO2802A/2802AM/2802AF, e-STUDIO2303AM/2803AM, e-STUDIO2309A/2809A) Cambie la contraseña periódicamente. Asegúrese de no usar ningún número que sea fácil de averiguar, como la fecha de su cumpleaños o su número ID de empleado, y guárdelo en un lugar secreto.
- No deje solo el equipo mientras se está realizando un trabajo porque cualquier persona podría ver los originales o apropiarse del papel impreso que sale del equipo.

## ■ Nota para los usuarios

Una vez que haya seleccionado el emplazamiento más adecuado para instalar la unidad e-STUDIO2802A/2802AM/2802AF, e-STUDIO2303A, e-STUDIO2303AM/2803AM o e-STUDIO2309A/2809A, no la cambie de lugar. Evite ubicar este sistema donde quede expuesto a altas temperaturas, suciedad o vibraciones, así como a la luz solar directa. Del mismo modo, asegúrese de que el lugar seleccionado dispone de suficiente ventilación, ya que la copiadora emite pequeñas cantidades de ozono.

La unidad está clasificada como un producto láser de clase 1 según IEC60825-1:2007, incluidas las enmiendas.

La unidad usa diodos láser con una salida máxima de 10 mW, una longitud de onda de 785 nm y una duración de pulso de 1,25 µs.

### **PRECAUCIÓN**

El uso de controles, ajustes o procedimientos distintos de los especificados en este manual puede provocar una exposición a radiación peligrosa.

### **ADVERTENCIA**

Este es un producto de Clase A. En un ámbito doméstico, este producto puede causar interferencias radioeléctricas, en cuyo caso se podrá exigir al usuario que tome las medidas oportunas.



Indica que los productos que tienen esta marca usan láser, con el potencial riesgo y peligro de sufrir lesiones en los ojos o daños oculares y/o quemaduras en la piel si no se evitan. Siga las precauciones que se describen junto a esta marca.



Indica que las ubicaciones que tienen esta marca son zonas con alta temperatura, con el potencial riesgo y peligro de sufrir quemaduras en la piel y/o lesiones relacionadas si no se evitan. No toque la zona ni el área periférica.

### **Solo para EE.UU.**

#### **AVISO DE LA FCC**

Este equipo se ha sometido a pruebas y se ha demostrado que cumple los límites de los dispositivos digitales de Clase A, en virtud de la Parte 15 de las normas de la FCC. El objetivo de estos límites es proporcionar una protección razonable frente a interferencias perjudiciales cuando el equipo se utiliza en un entorno comercial. El equipo genera, usa y puede irradiar energía de radiofrecuencia y, en caso de no instalarse tal como se indica en el manual de instrucciones, puede ocasionar interferencias perjudiciales para las comunicaciones de radio. Es probable que la utilización del equipo en una zona residencial cause interferencias perjudiciales, en cuyo caso el usuario deberá corregir tales interferencias haciéndose cargo de los costes.

#### **ADVERTENCIA**

Los cambios o las modificaciones que se realicen en el equipo y que no estén aprobados de forma expresa por TOSHIBA TEC o partes autorizadas por TOSHIBA TEC pueden anular el derecho del usuario de utilizar el equipo.



### **Seguridad del usuario**

Este Sistema digital multifuncional TOSHIBA no emite radiaciones láser peligrosas para el usuario. Está certificado como un producto láser de Clase 1 según la Norma de rendimiento de radiación del Ministerio de Salud y Servicios Humanos (DHHS) de EE.UU., conforme a la ley norteamericana de salud y seguridad de control de radiaciones de 1968, incluidas las enmiendas.

El empleo de carcasas de protección y cubiertas externas confina por completo los haces láser emitidos dentro del sistema digital multifuncional. Los haces láser no pueden salir de la máquina durante ninguna fase mientras el usuario usa el equipo.

Las disposiciones implementadas el 2 de agosto de 1976 por la Oficina de Salud Radiológica (BRH) de la Administración de Alimentos y Medicamentos de EE.UU. son de aplicación a todos los productos láser fabricados a partir del 1 de agosto de 1976. Los productos láser comercializados en EE.UU. deben cumplir con estas disposiciones.

### **PRECAUCIÓN**

El uso de controles, ajustes o procedimientos distintos de los especificados en este manual puede provocar una exposición a radiación peligrosa.

### **Para EE.UU. y Canadá**

#### **Información normativa**

Toshiba está comprometida a preservar el medioambiente a través de la promoción de Call2Recycle, un programa de Rechargeable Battery Recycling Corporation. Para obtener más información y conocer las ubicaciones de desecho, visite [www.rbrc.org](http://www.rbrc.org) o llame al número 1-800-822-8837.

Aviso relativo a las baterías de celda de moneda CR, aplicable solo a California, EE.UU.:  
Material de perclorato - es posible que se apliquen requisitos de manipulación especial.  
Visite <http://www.dtsc.ca.gov/hazardouswaste/perchlorate/>

#### **Propuesta 65 de California: Solo EE.UU.-California**

#### **⚠ ADVERTENCIA**

Este producto puede exponerle a los ftalatos, conocidos en el Estado de California como causantes de cáncer, malformaciones congénitas u otros daños reproductivos. Para obtener más información, visite el sitio [www.P65Warnings.ca.gov/product](http://www.P65Warnings.ca.gov/product).

### **Solo para Canadá**

Este aparato digital de Clase A cumple con la norma ICES-003 de Canadá.  
Cet appareil numérique de la classe A est conforme à la norme NMB-003 du Canada.

**ES**

## Solo para la Unión Europea

### Entorno de trabajo

Desde el punto de vista de la compatibilidad electromagnética (EMC), la utilización de este producto está restringida en los siguientes entornos:

- Entornos médicos: Este producto no está certificado como producto médico, según la directiva de productos médicos 93/42/EEC.
- Entornos residenciales (como, por ejemplo, habitaciones privadas con televisores o equipos de radio cercanos), ya que este equipo es un producto clasificado como EMC de clase A. En un ámbito doméstico, este producto puede causar interferencias radioeléctricas, en cuyo caso se podrá exigir al usuario que tome las medidas oportunas.

Cualquier consecuencia que se pueda derivar de la utilización de este producto en entornos de trabajo restringidos no será responsabilidad de TOSHIBA TEC.

Las consecuencias de la utilización de este producto en entornos de trabajo restringidos pueden ser, por ejemplo, interferencias electromagnéticas con otros dispositivos o máquinas cercanas. Esto puede provocar fallos de funcionamiento, entre los que se incluye la pérdida de datos/errores de datos de este u otros dispositivos/máquinas afectadas por las interferencias electromagnéticas.

Además, por razones de seguridad generales, se prohíbe la utilización de este producto en atmósferas explosivas.

### Cumplimiento con las normativas de la CE

Este producto tiene la etiqueta de la marca CE conforme a las disposiciones de las directivas europeas vigentes, en concreto la directiva de baja tensión 2006/95/CE (antes del 20 de abril de 2016), 2014/35/UE (después del 20 de abril de 2016), la directiva de compatibilidad electromagnética 2004/108/CE (antes del 20 de abril de 2016), 2014/30/UE (después del 20 de abril de 2016), la directiva RoHS 2011/65/UE para este producto y los accesorios eléctricos, y la directiva de equipos de radio y terminales de telecomunicaciones 1999/5/CE para los accesorios de telecomunicaciones.

La certificación CE es responsabilidad de TOSHIBA TEC GERMANY IMAGING SYSTEMS GmbH, Carl-Schurz-Str. 7, 41460 Neuss, Alemania, teléfono +49-(0)-2131-1245-0.

Para obtener una copia de la declaración de conformidad con la normativa CE, póngase en contacto con su proveedor o con TOSHIBA TEC.

### Advertencia:

Este es un producto de Clase A. En un ámbito doméstico, este producto puede causar interferencias radioeléctricas, en cuyo caso se podrá exigir al usuario que tome las medidas oportunas.

La información siguiente sólo es aplicable para estados miembros de la UE:



Este producto está marcado según los requisitos de la Directiva sobre residuos de aparatos eléctricos y electrónicos (RAEE) de la Unión Europea.

El símbolo anterior indica que el producto no puede desecharse con el mismo procedimiento que para los residuos municipales, por lo que deberá tratarse por separado. Deseche el producto de forma correcta para evitar posibles consecuencias negativas en el medio ambiente y para la salud pública.

Para obtener información detallada sobre la recogida y el reciclado del producto, póngase en contacto con el proveedor al que haya adquirido el producto.

---

La información siguiente sólo es aplicable para estados miembros de la UE:



Eliminación de baterías y/o acumuladores según la Directiva relativa a las pilas y acumuladores y a los residuos de pilas y acumuladores de la Unión Europea.

Deseche las baterías y/o los acumuladores de forma correcta para evitar posibles consecuencias negativas en el medio ambiente y para la salud pública.

Para obtener información detallada sobre la recogida y el reciclado de las baterías y/o los acumuladores, póngase en contacto con el proveedor al que haya adquirido el producto.

Este dispositivo no está previsto para usarse en el campo directo de visión en lugares de trabajo con pantallas de visualización.

Para evitar los incómodos reflejos en lugares de trabajo con pantallas de visualización, el dispositivo no debe colocarse en el campo directo de visión.

### Solo para India

La información siguiente sólo es aplicable para India:



El símbolo anterior indica que el producto no puede desecharse con el mismo procedimiento que para los residuos municipales, por lo que deberá tratarse por separado. Deseche el producto de forma correcta para evitar posibles consecuencias negativas en el medio ambiente y para la salud pública.

Para obtener información detallada sobre la recogida y el reciclado del producto, póngase en contacto con el proveedor al que haya adquirido el producto.

### Solo para Argentina

La información siguiente solo está destinada a la provincia de Buenos Aires en Argentina:



La siguiente información es solo para Argentina

El uso de este símbolo indica que este producto no puede ser tratado como residuos domésticos.

Asegúrese que este producto se deseche correctamente, Usted ayudara a evitar posibles consecuencias negativas para el medio ambiente y la salud humana, que podrían derivarse de la incorrecta manipulación de este producto.

Para mas información sobre el reciclaje de este producto, consulte con nuestro.

ES



---

### Solo para Turquía

La información siguiente sólo es aplicable para Turquía:

AEEE Yönetmeliğine Uygundur

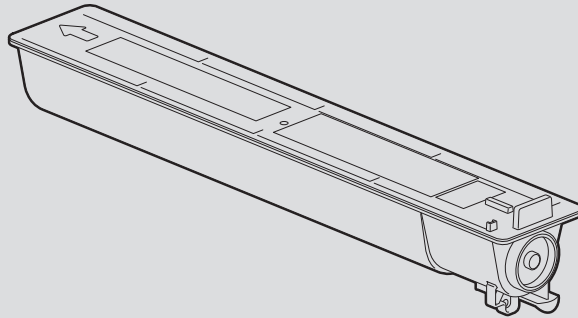
### Solo para China

	Indica que los productos que tienen esta marca se pueden usar en zonas no expuestas al clima tropical en China.
	Indica que los productos que tienen esta marca se pueden usar en zonas de hasta 2.000 m sobre el nivel del mar en China.

## ■ En TOSHIBA, la calidad es lo primero

Se recomienda el uso de piezas y repuestos originales de TOSHIBA para obtener unos resultados óptimos.

La siguiente figura corresponde al cartucho de tóner de e-STUDIO2802A/2802AM/2802AF.



### TOSHIBA

#### T-2802U

FOR/POUR  
e-STUDIO2802AM/2802AF

COMPONENTS:  
Polyester resin, Carbon black(1333-86-4), Wax,  
Organic Metal Complex, Titanium dioxide,  
Amorphous Silica(7631-86-9)

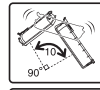
### ORIGINAL & GENUINE TOSHIBA TONER

NET 338 g

- HANDLE WITH CARE.
- STORE IN A DRY PLACE BELOW 35°C(95°F).
- READ THE OPERATING INSTRUCTIONS OF THE MACHINE BEFORE USING.
- DO NOT TOUCH THE METAL CONTACT ON THE CIRCUIT BOARD.

**TOSHIBA TEC CORPORATION**  
Gate City Ohsaki West Tower, 1-11-1, Osaki,  
Shinagawa-ku, Tokyo, 141-8562, Japan  
TEL +81-3-6830-9100  
MADE IN CHINA / FABRIQUE EN CHINE

- MANIPULER AVEC PRECAUTION.
- GARDER DANS UN ENDROIT SANS HUMIDITE OU LA TEMPERATURE AMBIANTE EST MOINS DE 35°C.
- LIRE LE MANUEL D'EMPLOI DE L'APPAREIL AVANT D'EN FAIRE USAGE.
- NE PAS TOUCHER LA PIECE METALLIQUE SUR LE TABLEAU DE CIRCUITS.



Patent : <http://www.toshibatec.co.jp/en/patent/>

### TOSHIBA

#### T-2802E

FOR/POUR/FÜR/DA/PARA  
e-STUDIO2802AM/2802AF

COMPONENTS:  
Polyester resin, Carbon black(1333-86-4), Wax,  
Organic Metal Complex, Titanium dioxide,  
Amorphous Silica(7631-86-9)

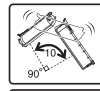
### ORIGINAL & GENUINE TOSHIBA TONER

● SHAKE WELL BEFORE USING.

- AGITER AVANT EMPLOI.
- VOR GEBRAUCH GUT SCHÜTTELN.
- AGITARE BENE PRIMA DELL'USO.
- SACUDIR BIEN ANTES DE USER.

**TOSHIBA TEC CORPORATION**  
Gate City Ohsaki West Tower, 1-11-1, Osaki,  
Shinagawa-ku, Tokyo, 141-8562, Japan  
TEL +81-3-6830-9100  
MADE IN CHINA / FABRIQUE EN CHINE  
HERGESTELLT IN CHINA  
HECHO EN CHINA / FATTO IN CINA

- DO NOT TOUCH THE METAL CONTACT ON THE CIRCUIT BOARD.
- NE PAS TOUCHER LES CONTACTS METALLIQUES DU CIRCUIT IMPRIME.
- NON TOCCARE IL PEZZO DI METALLO NELLA SCHEDA DEI CIRCUITI.
- DAS METALLSTÜCK AUF DER STROMKREISTAFEL NICHT BERÜHREN.
- NO TOCAR LA PIEZA METÁLICA EN EL TABLERO DE CIRCUITOS.



PAT. P.

### TOSHIBA

#### T-2802P

FOR/POUR  
e-STUDIO2802A/2802AM/2802AF

COMPONENTS:  
Polyester resin, Carbon black(1333-86-4), Wax,  
Organic Metal Complex, Titanium dioxide,  
Amorphous Silica(7631-86-9)

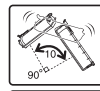
### ORIGINAL & GENUINE TOSHIBA TONER

NET 338 g

- HANDLE WITH CARE.
- STORE IN A DRY PLACE BELOW 35°C(95°F).
- READ THE OPERATING INSTRUCTIONS OF THE MACHINE BEFORE USING.
- DO NOT TOUCH THE METAL CONTACT ON THE CIRCUIT BOARD.

**TOSHIBA TEC CORPORATION**  
Gate City Ohsaki West Tower, 1-11-1, Osaki,  
Shinagawa-ku, Tokyo, 141-8562, Japan  
TEL +81-3-6830-9100  
MADE IN CHINA / FABRIQUE EN CHINE

- MANIPULER AVEC PRECAUTION.
- GARDER DANS UN ENDROIT SANS HUMIDITE OU LA TEMPERATURE AMBIANTE EST MOINS DE 35°C.
- LIRE LE MANUEL D'EMPLOI DE L'APPAREIL AVANT D'EN FAIRE USAGE.
- NE PAS TOUCHER LA PIECE METALLIQUE SUR LE TABLEAU DE CIRCUITS.



PAT. P.

ES

---

## ❑ Consumibles/piezas

- **Fiabilidad**

Los consumibles originales de Toshiba se someten a las comprobaciones y pruebas más exigentes. De este modo, todos los componentes que llegan al usuario ofrecen un rendimiento óptimo.

- **Alta productividad**

Los materiales originales de Toshiba han sido desarrollados para ajustarse a las exigencias de nuestro mundo competitivo y para proporcionarle copias fiables a gran velocidad, sin problemas y en el momento en que las necesite.

- **Calidad de imagen estable**

Los materiales originales de Toshiba han sido concebidos para producir de forma constante imágenes con una calidad inmejorable.

- **Consumibles ideales para la copiadora**

Los consumibles originales de Toshiba se han desarrollado para ofrecer un funcionamiento libre de errores de la copiadora y sus componentes. La reducción del desgaste de la máquina se debe al profundo conocimiento de Toshiba de las características de la copiadora, lo que garantiza los más altos niveles de cuidados del dispositivo.

- **Consumibles idóneos**

Desde el principio, los consumibles y equipos de Toshiba se diseñan para funcionar juntos. Cada vez que Toshiba diseña un dispositivo nuevo, diseña además un tóner nuevo específico para dicho dispositivo. Con la utilización de consumibles originales de Toshiba se garantiza el mejor rendimiento del sistema.

## ❑ Tóner

- **Calidad de imagen óptima**

El tóner de Toshiba ha sido fabricado con materiales de la mejor calidad sometidos a exhaustivos controles. De este modo, se garantiza que las copiatoras Toshiba sigan generando imágenes de alta calidad.

- **Ventajas en el coste**

La utilización de tóner original de Toshiba le ofrece un valor añadido a su dispositivo, ya que en el proceso de reproducción sólo se utiliza la cantidad justa de tóner, lo que permite al sistema un funcionamiento continuo hasta el agotamiento del tóner. De esta forma sacará el máximo partido a cada cartucho utilizado.

- **Respeto hacia el medio ambiente**

El tóner de Toshiba original ha sido fabricado teniendo en cuenta el medio ambiente. Para proteger el planeta y a las generaciones futuras, utilizamos etiquetas grabadas o de plástico que permiten un completo reciclaje de nuestros cartuchos de tóner. Además, la reducción de los niveles de ozono y de polvos nocivos le ofrece un mejor entorno laboral.

- **Seguridad en la utilización**

Antes de aprobar nuestros tóneres para su comercialización, éstos se someten a pruebas estrictas para garantizar el cumplimiento con las más estrictas normas sanitarias. Esto permite un manejo seguro e inofensivo del tóner.

## ❑ General

- **Ventajas del servicio y de la asistencia técnica**

Los técnicos de servicio de Toshiba están certificados para mantener el rendimiento de la copiadora a unos niveles óptimos. Para garantizar una calidad de imagen continua, acuda a proveedores de servicio técnico autorizados de Toshiba para que se ocupen y lleven a cabo el mantenimiento periódico de la copiadora.

---

## ■ Cómo leer este manual

### □ Símbolos usados en este manual

En este manual, se describe alguna información importante con los símbolos mostrados a continuación. Asegúrese de leer esta información antes de utilizar el equipo.

#### **ADVERTENCIA**

Indica una situación potencialmente peligrosa que, en caso de no evitarse, podría provocar lesiones graves o incluso la muerte al operador, así como graves daños o un incendio en el equipo u objetos situados en las proximidades.

#### **PRECAUCIÓN**

Indica una situación potencialmente peligrosa que, si no se evita, puede provocar lesiones leves o moderadas al operador y daños parciales al equipo o a los objetos situados en las proximidades.

#### **Nota**

Indica información a la que debe prestar atención al utilizar el equipo.

Además de la información descrita arriba, en este manual también se incluye información que puede ser útil para la utilización del equipo y que va acompañada de los siguientes símbolos:

#### **Sugerencias**

Describe información útil para la utilización del equipo.



Páginas que describen información y elementos relacionados con la tarea que se está realizando actualmente. Consulte estas páginas si es necesario.

## ■ Precauciones generales

### □ Instalación o traslado del equipo

#### **ADVERTENCIA**

##### **Para EE.UU. y Canadá**

Este sistema digital multifuncional requiere una potencia eléctrica de 120 V, 12 A, 50/60 Hz.

##### **Para la Unión Europea**

Este sistema digital multifuncional requiere una potencia eléctrica de 220 a 240 V CA, 8 A, 50/60 Hz.

##### **Excepto EE.UU., Canadá y Unión Europea**

Este sistema digital multifuncional requiere una potencia eléctrica de 220 a 240 V CA, 8 A, 50/60 Hz.

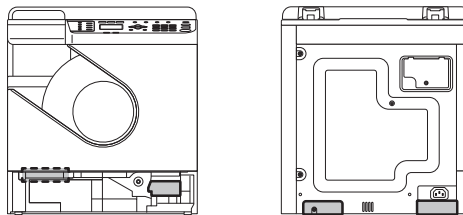
- No utilice una fuente de alimentación con un voltaje distinto al especificado. Evite conectar varios dispositivos a la misma toma. Esto podría provocar un incendio o una descarga eléctrica. Si desea aumentar el número de tomas, póngase en contacto con un electricista.
- Conecte siempre este sistema digital multifuncional a una toma con conexión a tierra para impedir el riesgo de que se produzca un incendio o una descarga eléctrica en caso de un cortocircuito. Póngase en contacto con un representante de servicio técnico para obtener más detalles. Asegúrese de emplear una caja de enchufe de 3 conductores, con toma a tierra. Excepto en el caso de EE.UU. y Canadá, en las zonas en que se emplee un conector de 2 patillas, los sistemas digitales multifuncionales deben conectarse a tierra por motivos de seguridad. No establezca nunca la conexión a tierra con un conducto de gas, un tubo de agua u otro objeto inadecuado para la conexión a tierra.

**ES**

- 
- Enchufe el cable de alimentación firmemente a la toma de pared. Si la conexión no es correcta, se podría producir un calentamiento, un incendio o descargas eléctricas.
  - No dañe, rompa o intente reparar el cable de alimentación.  
No debe hacer nada de lo siguiente con el cable de alimentación:
    - No lo retuerza
    - No lo doble
    - No tire de él
    - No coloque objetos sobre él
    - Calor
    - No lo coloque cerca de radiadores ni cerca de otras fuentes de calorDe lo contrario se podría provocar un incendio o una descarga eléctrica. Si el cable de alimentación está dañado, póngase en contacto con el representante de servicio.
  - No instale el equipo usted mismo ni intente moverlo una vez instalado. Eso podría provocar daños en el aparato. Póngase en contacto con un representante del servicio técnico si necesita instalar o mover el equipo.
  - La toma de corriente debe estar cerca del equipo y debe tener un fácil acceso.
  - Retire el enchufe de la toma varias veces al año para limpiar las clavijas. La acumulación de polvo y suciedad podría originar un incendio debido al calor emitido por una fuga eléctrica.

## PRECAUCIÓN

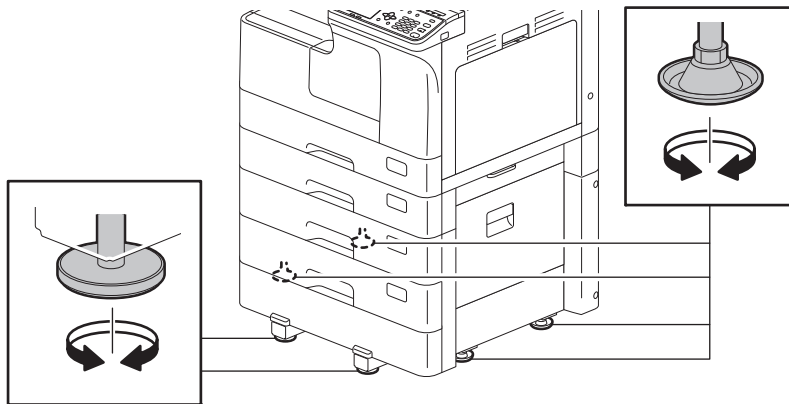
- Evite colocar el equipo en un lugar poco conveniente para soportar su peso y asegúrese de que la superficie está nivelada. Recuerde que en caso de caerse el equipo, podría provocarle lesiones graves.  
Peso del equipo:
  - e-STUDIO2802A: aprox. 19,5 kg (43,0 libras)
  - e-STUDIO2802AM: aprox. 24,0 kg (52,9 libras)
  - e-STUDIO2802AF: aprox. 24,5 kg (54,0 libras)
  - e-STUDIO2303A: aprox. 24,3 kg (53,6 libras)
  - e-STUDIO2303AM/2803AM: aprox. 24,3 kg (53,6 libras)
  - e-STUDIO2309A/2809A: aprox. 25,0 kg (55,1 libras)
- (**e-STUDIO2802A/2802AM/2802AF**) Al desplazar el equipo, saque la bandeja y haga que dos o más personas sujeten las partes indicadas abajo. En caso contrario, se podrían producir averías en la máquina o lesiones.



- Cuando quite el enchufe de la toma, no tire del cable de alimentación. Sujete siempre el enchufe cuando lo desenchufe de la toma. Si tira del cable de alimentación, se pueden romper los cables y se podría provocar un incendio o una descarga eléctrica.
- Asegúrese de que los orificios de ventilación no estén bloqueados.  
Si la temperatura de los sistemas digitales multifuncionales alcanza valores demasiado elevados, podría provocarse un incendio.
- Cuando conecte el cable de interfaz al equipo, asegúrese de apagarlo. En caso contrario, podría sufrir una descarga eléctrica.



- (e-STUDIO2309A/2809A) El pedestal de alimentación de papel dispone de seis reguladores (antideslizamiento) en la parte inferior. Cuando haya terminado de trasladar e instalar el equipo, asegúrese de girarlos y bajarlos para fijarlos. A continuación, fije los topes de prevención de caídas.



### ⚠ ADVERTENCIA

No instale el equipo usted mismo ni intente moverlo una vez instalado. Eso podría provocar daños en el aparato. Póngase en contacto con un representante del servicio técnico si necesita instalar o mover el equipo.

### Otros aspectos

- La toma de alimentación debe estar instalada cerca del equipo y el acceso a la misma debe ser sencillo.
- Si no hay espacio suficiente alrededor del equipo, la ventilación deficiente provocará problemas de funcionamiento; además, algunas operaciones, como la alimentación manual de papel y la solución de atascos de papel, pueden llegar a ser más complicadas. Para asegurarse de que deja el espacio apropiado, use la tabla de abajo como referencia.

Espacio adecuado		
Posterior	Lado izquierdo	Lado derecho
20 cm (7,9")	30 cm (11,8")	80 cm (31,5")

- Asegúrese de fijar el cable de alimentación correctamente de forma que nadie pueda tropezar con él.
- Las condiciones climatológicas adversas pueden afectar al funcionamiento y al rendimiento del sistema digital multifuncional y podrían incluso provocar averías.
  - Evite ubicaciones próximas a ventanas o con exposición directa a la luz solar.
  - Evite ubicaciones con cambios de temperatura drásticos.
  - Evite que haya demasiado polvo.
  - Evite colocar el equipo en ubicaciones sometidas a vibraciones.
- Asegúrese de que el aire circula libremente y de que hay suficiente ventilación. Si la ventilación no es adecuada, el olor emitido por el ozono contaminará el ambiente de la habitación.

ES

## ❑ Utilización del sistema digital multifuncional

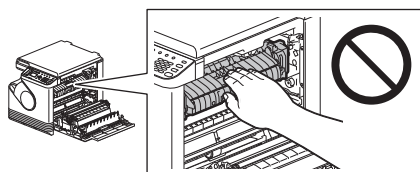
### ⚠ ADVERTENCIA

- No retire la tapa del equipo, ya que podría resultar dañado o recibir una descarga eléctrica.
- No conecte ni desconecte el enchufe con las manos mojadas, ya que podría sufrir una descarga eléctrica.
- No coloque recipientes con agua (jarrones, tazas de café, etc.) encima o en las inmediaciones del equipo. Podrían provocar un incendio o una descarga eléctrica.
- Mantenga los clips y las grapas alejados de los orificios de ventilación. Si no lo hace, podría provocarse un incendio o recibir una descarga eléctrica.
- Si el sistema digital multifuncional se calienta demasiado, emite humo, desprende un olor extraño o emite un ruido anormal, proceda del siguiente modo. Apague el interruptor principal y quite el enchufe de la toma. A continuación, póngase en contacto con el representante de servicio técnico.
- Si no va a usar el sistema digital multifuncional durante más de un mes, quite el enchufe de la toma por motivos de seguridad durante ese tiempo. Si se produce un fallo de aislamiento, podría provocarse un incendio o recibir una descarga eléctrica.
- No toque ninguna pieza que no sea una de las especificadas en el Manual del Operador. En caso de hacerlo se podría producir una avería o podría recibir una descarga eléctrica, lesionarse o quemarse.

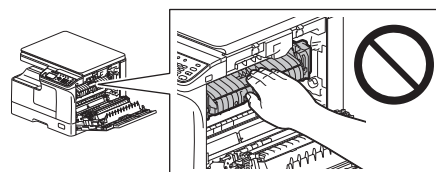
### ⚠ PRECAUCIÓN

- No coloque objetos pesados (de 4 kg/9 libras o más) sobre el cristal de exposición ni ejerza presión sobre él. Si se rompe el cristal podría lesionarse.
- No coloque objetos pesados (de 4 kg/9 libras o más) sobre el sistema digital multifuncional. Si los objetos se cayesen podrían provocar lesiones.
- (e-STUDIO2802A/2802AM/2802AF) Asegúrese de sujetar la bandeja con ambas manos y de tener cuidado de que no se caiga al quitarla o instalarla. Podría lesionarse si se le cae.
- Tenga cuidado de no pillarse los dedos al cerrar la bandeja. Podría lesionarse.
- No toque la unidad del fusor ni las partes metálicas cercanas. La elevada temperatura de estos elementos podría provocar quemaduras o la descarga podría producir lesiones en las manos.

e-STUDIO2802A/2802AM/2802AF

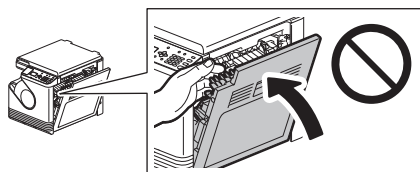


e-STUDIO2303A/2303AM/2803AM/2309A/2809A

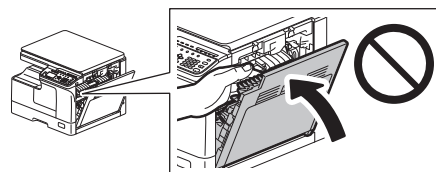


- Tenga cuidado de no pillarse los dedos entre el equipo y la cubierta lateral. Podría lesionarse.

e-STUDIO2802A/2802AM/2802AF



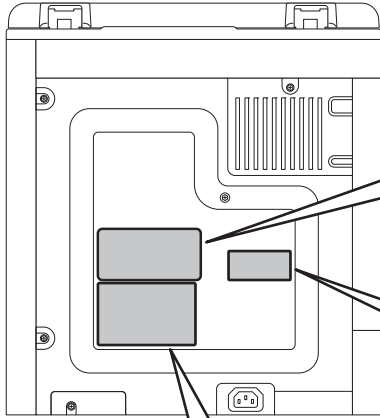
e-STUDIO2303A/2303AM/2803AM/2309A/2809A



- Cuando abra o cierre el alimentador automático de documentos o el alimentador automático de documentos inverso, tenga cuidado de no pillarse los dedos entre el lateral posterior y el equipo. Podría lesionarse.
- No utilice las bandejas desplegadas como escaleras. Podría lesionarse si se cae.

# Posición de las etiquetas de certificación, etc.

## e-STUDIO2802A/2802AM/2802AF



Etiqueta de explicación



Etiqueta de certificación (Para EE.UU. y Canadá)



Etiqueta de identificación

<p>Para EE.UU. y Canadá</p> <p><b>TOSHIBA</b> MULTIFUNCTIONAL DIGITAL SYSTEMS /SYSTEME MULTIFONCTION NUMERIQUE e-STUDIO2802AM MODEL/MODELE DP-2802AM 120V ~ 50/60Hz 12A NO.</p> <p> complies with UL 60950-1 CSA C22.2 No.60950-1</p> <p><b>TOSHIBA TEC CORPORATION</b> TC MADE IN CHINA/FABRIQUE EN CHINE</p>	<p>Para UE</p> <p><b>TOSHIBA</b> MULTIFUNCTIONAL DIGITAL SYSTEMS /SYSTEME MULTIFONCTION NUMERIQUE e-STUDIO2802AM MODEL/MODELE DP-2802AM 220-240V ~ 50/60Hz 8A NO.</p> <p> </p> <p><b>TOSHIBA TEC CORPORATION</b> TC MADE IN CHINA/FABRIQUE EN CHINE</p>
--	---

Etiqueta de advertencia

>PS<

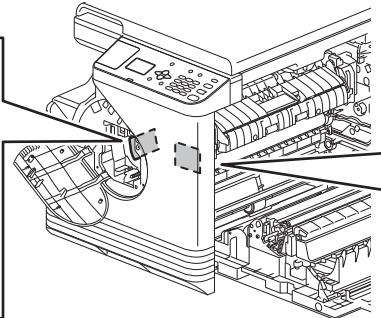
危険-ドラムユニットを外したり光学ユニットを開けたらレーザーユニットを無効にするための安全装置(レーザー-ロック)が作動し、ヒームの温度上昇を防止します。

DANGER-CLASS 3B INVISIBLE LASER RADIATION WHEN OPTICAL UNIT OPEN OR DRUM UNIT REMOVED AND INTERLOCK DEFEATED. AVOID DIRECT EXPOSURE TO BEAM.

VORSICHT-KLASSE 3B UNSICHTBARE LASERSTRAHLUNG, WENN DIE ABSCHLÜSSUNG GEÖFFNET ODER DIE TROMMEL ENTFERNT UND DIE VERREGELUNG UNWIRKSAM GEMACHT WIRD. NICHT DIREKT DEM STRAHLEN AUSSETZEN.

DANGER-CLASSE 3B RAYON LASER INVISIBLE LORSQUE LE BLOC OPTIQUE EST OUVERT, LE tambour RETIRE ET LE VERROUILLAGE HORS D'USAGE. EVITER L'EXPOSITION DIRECTE AU RAYON.

PELIGRO-RADIACION INVISIBLE DE LASER CLASE 3B CUANDO LA UNIDAD OPTICA ESTA ABIERTA O LA UNIDAD DEL CILINDRO ES RETIRADA Y CUANDO EL INTERRUPTOR DE SEGURIDAD ESTA DE SACTIVADO, EVITE EXPOSICION DIRECTA AL RAYO.



Etiqueta de advertencia

>PS<

危険-ドラムユニットを外したり光学ユニットを開けたらレーザーユニットを無効にするための安全装置(レーザー-ロック)が作動し、ヒームの温度上昇を防止します。

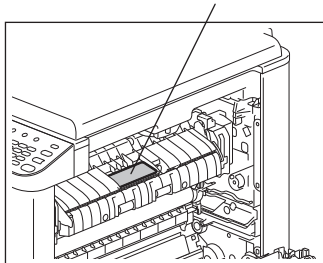
DANGER-CLASS 3B INVISIBLE LASER RADIATION WHEN OPTICAL UNIT OPEN OR DRUM UNIT REMOVED AND INTERLOCK DEFEATED. AVOID DIRECT EXPOSURE TO BEAM.

VORSICHT-KLASSE 3B UNSICHTBARE LASERSTRAHLUNG, WENN DIE ABSCHLÜSSUNG GEÖFFNET ODER DIE TROMMEL ENTFERNT UND DIE VERREGELUNG UNWIRKSAM GEMACHT WIRD. NICHT DIREKT DEM STRAHLEN AUSSETZEN.

DANGER-CLASSE 3B RAYON LASER INVISIBLE LORSQUE LE BLOC OPTIQUE EST OUVERT, LE tambour RETIRE ET LE VERROUILLAGE HORS D'USAGE. EVITER L'EXPOSITION DIRECTE AU RAYON.

PELIGRO-RADIACION INVISIBLE DE LASER CLASE 3B CUANDO LA UNIDAD OPTICA ESTA ABIERTA O LA UNIDAD DEL CILINDRO ES RETIRADA Y CUANDO EL INTERRUPTOR DE SEGURIDAD ESTA DE SACTIVADO, EVITE EXPOSICION DIRECTA AL RAYO.

Advertencia de zona a alta temperatura (unidad fusora)




ES

# e-STUDIO2303A/2303AM/2803AM/2309A/2809A

## Etiqueta de identificación

Para EE.UU. y Canadá




**TOSHIBA**  
 MULTIFUNCTIONAL DIGITAL SYSTEMS  
 /SYSTEME MULTIFONCTION NUMERIQUE e-STUDIO2809A  
 MODEL/MODELE DP-2809A  
 120V ~  
 50/60Hz 12A  
 NO.

 complies with  
 UL 60950-1  
 CSA C22.2 No.60950-1

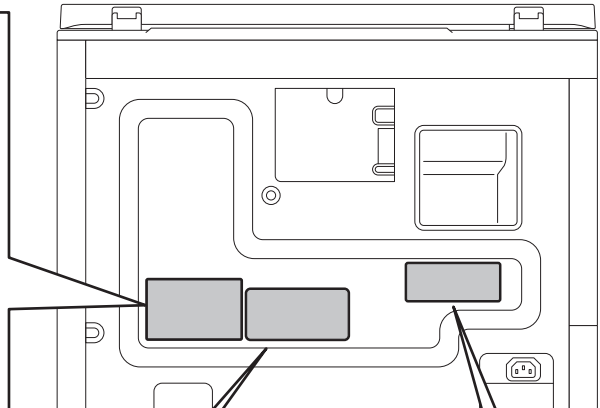
**TOSHIBA TEC CORPORATION** TC  
 MADE IN CHINA/FABRIQUE EN CHINE

Para UE

**TOSHIBA**  
 MULTIFUNCTIONAL DIGITAL SYSTEMS  
 /SYSTEME MULTIFONCTION NUMERIQUE e-STUDIO2809A  
 MODEL/MODELE DP-2809A  
 220-240V ~  
 50/60Hz 8A  
 NO.

**TOSHIBA TEC CORPORATION** TC  
 MADE IN CHINA/FABRIQUE EN CHINE



## Etiqueta de explicación

**CLASS 1 LASER PRODUCT**  
 APPAREIL À LASER DE CLASSE 1  
 LASER KLASSE 1  
 PRODUCTO DE LASER DE CLASE 1  
 クラス1レーザー製品

>PS<

## Etiqueta de certificación (Para EE.UU. y Canadá)

Product is certified by the manufacturer to comply with DHHS Rule 21 CFR subchapter J applicable at the date of Manufacture.

Manufactured: **TS**

**TOSHIBA TEC CORPORATION**  
 1-11-1, OSAKI, SHINAGAWA-KU, TOKYO, 141-8562, JAPAN

## Etiqueta de advertencia

 >PS<

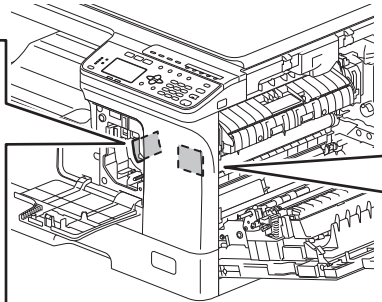
危険-ドラムユニットを外したり光学ユニットを開けたときトアシスイッチを無効にするクラス3Bの不可視レーザー放射の恐れあり。ビームの直接曝露を避けよ。

DANGER-CLASS 3B INVISIBLE LASER RADIATION WHEN OPTICAL UNIT OPEN OR DRUM UNIT REMOVED AND INTERLOCK DEFEATED. AVOID DIRECT EXPOSURE TO BEAM.

VORSICHT-KLASSE 3B UNSICHTBARE LASERSTRAHLUNG, WENN DIE ABDECKUNG GEÖFFNET ODER DIE TROMMEL ENTFERNT UND DIE VERBIEGELUNG UNWIRKSAM GEMACHT WIRD. NICHT DIREKT DEM STRAHL AUSSETZEN.

DANGER-CLASSE 3B RAYON LASER INVISIBLE LORSQUE LE BLOC OPTIQUE EST OUVERT, LE TAMBOUR RETIRE ET LE VERROUILLAGE HORS D'USAGE. EVITER L'EXPOSITION DIRECTE AU RAYON.

PELIGRO-RADIACION INVISIBLE DE LASER CLASE 3B CUANDO LA UNIDAD OPTICA ESTA ABIERTA O LA UNIDAD DEL CILINDRO ES RETIRADA Y CUANDO EL INTERRUPTOR DE SEGURIDAD ESTA DE SACTIVADO, EVITE EXPOSICION DIRECTA AL RAYO.



## Etiqueta de advertencia

 >PS<

危険-ドラムユニットを外したり光学ユニットを開けたときトアシスイッチを無効にするクラス3Bの不可視レーザー放射の恐れあり。ビームの直接曝露を避けよ。

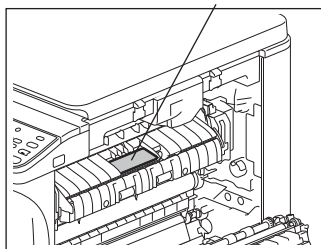
DANGER-CLASS 3B INVISIBLE LASER RADIATION WHEN OPTICAL UNIT OPEN OR DRUM UNIT REMOVED AND INTERLOCK DEFEATED. AVOID DIRECT EXPOSURE TO BEAM.

VORSICHT-KLASSE 3B UNSICHTBARE LASERSTRAHLUNG, WENN DIE ABDECKUNG GEÖFFNET ODER DIE TROMMEL ENTFERNT UND DIE VERBIEGELUNG UNWIRKSAM GEMACHT WIRD. NICHT DIREKT DEM STRAHL AUSSETZEN.

DANGER-CLASSE 3B RAYON LASER INVISIBLE LORSQUE LE BLOC OPTIQUE EST OUVERT, LE TAMBOUR RETIRE ET LE VERROUILLAGE HORS D'USAGE. EVITER L'EXPOSITION DIRECTE AU RAYON.

PELIGRO-RADIACION INVISIBLE DE LASER CLASE 3B CUANDO LA UNIDAD OPTICA ESTA ABIERTA O LA UNIDAD DEL CILINDRO ES RETIRADA Y CUANDO EL INTERRUPTOR DE SEGURIDAD ESTA DE SACTIVADO, EVITE EXPOSICION DIRECTA AL RAYO.

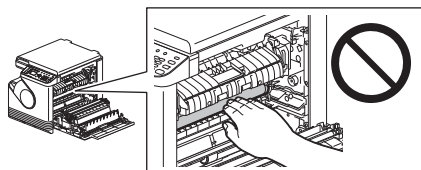
## Advertencia de zona a alta temperatura (unidad fusora)



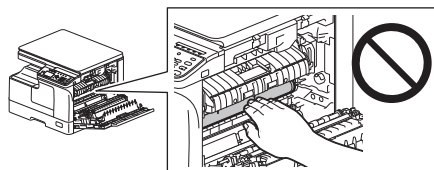
## Otros aspectos

- No apague el equipo si queda papel atascado en su interior. Esto podría provocar un funcionamiento incorrecto cuando se vuelva a encender.
- Asegúrese de que el equipo esté apagado cuando se marche de la oficina o si hay un corte de luz. No obstante, NO lo desconecte cuando el temporizador semanal esté en funcionamiento.
- Tenga cuidado ya que el área de salida del papel y el papel justo cuando sale están calientes.
- No coloque ningún otro papel en la bandeja de salida, ya que podría alterar el funcionamiento normal y causar problemas.
- No toque el tambor fotoconductor. Podrían producirse problemas de imagen.

e-STUDIO2802A/2802AM/2802AF



e-STUDIO2303A/2303AM/2803AM/2309A/2809A



- No abra ni cierre las cubiertas ni la bandeja de alimentación manual. No extraiga tampoco las bandejas durante la impresión.

## ❑ Durante el mantenimiento o la inspección del sistema

### ⚠ ADVERTENCIA

- Nunca intente reparar, desmontar o modificar el sistema digital multifuncional. Podría provocar un incendio o recibir una descarga eléctrica. Póngase siempre en contacto con el servicio técnico para realizar operaciones de mantenimiento o de reparación de los componentes internos del sistema digital multifuncional.
- No derrame líquidos, como, por ejemplo, agua o aceite, sobre el sistema digital multifuncional cuando limpie el suelo. Podrían provocar un incendio o una descarga eléctrica.

### ⚠ PRECAUCIÓN

- Mantenga siempre limpio el enchufe y la toma de corriente. Evite la acumulación de polvo y suciedad. De lo contrario, podría producirse un incendio o recibir una descarga eléctrica debido al calor liberado por la fuga eléctrica.

ES

## Otros aspectos

- No utilice disolventes o alcohol para limpiar la superficie del sistema digital multifuncional.
  - Esto podría deformar la superficie o dejarla descolorida.
  - Cuando utilice productos químicos para limpiar el sistema, preste atención a los puntos a tener en cuenta.

## ❑ Utilización de consumibles

### ⚠ PRECAUCIÓN

- No incinere nunca los cartuchos de tóner. Deshágase de los cartuchos de tóner usados según las disposiciones locales.

## Otros aspectos

- Lea el manual del operador con atención para sustituir el cartucho de tóner con el procedimiento correcto. Seguir un procedimiento incorrecto puede ocasionar una pérdida o derrame del tóner.

- 
- No abra el cartucho de tóner a la fuerza. Podría ocasionarse una pérdida o derrame del tóner.
  - No deje el cartucho de tóner al alcance de los niños.
  - Si se le derrama tóner en la ropa, lávela con agua fría. La ropa se quedará con manchas de tóner que no saldrán si usa agua caliente.
  - Si se derrama tóner del cartucho de tóner, tenga cuidado de no inhalarlo ni tocarlo.

#### **Medidas de primeros auxilios**

Si inhala o toca tóner, etc., realice lo siguiente.

- Inhalación: Apártese del área para respirar aire fresco inmediatamente. Póngase en contacto con un médico si tiene problemas para respirar o presenta otros síntomas de dificultades.
- Contacto con la piel: Lávese con jabón y agua. Lave la ropa antes de volver a ponérsela. Si se produce irritación o esta es persistente, acuda a un médico.
- Contacto con los ojos: Enjuague inmediatamente los ojos con mucha agua durante al menos 15 minutos. Si la irritación continúa, llame a un médico.
- Ingestión: Diluya el contenido estomacal con varios vasos de agua.

## ■ Información sobre el medio ambiente

### □ Programa ENERGY STAR®

Toshiba Tec Corporation, como miembro del Programa ENERGY STAR, pega el logotipo ENERGY STAR a todos los productos que cumplen los requisitos del Programa ENERGY STAR.



El Programa ENERGY STAR tiene como objetivo fomentar el desarrollo y un uso más extendido de los equipos de oficina, incluidos los ordenadores eficientes energéticamente, para abordar problemas del medio ambiente como el calentamiento global. Los fabricantes que participan en este programa pueden pegar el logotipo ENERGY STAR a los productos tras confirmar que cumplen los estándares de ahorro de energía de este programa. Asimismo, estos estándares y el logotipo se usan ampliamente en la Agencia estadounidense para la protección del medio ambiente (EPA) y los países participantes.

Es posible que no se incluyan los productos y los países o las regiones de ventas especificados. Para saber si el producto reúne o no los requisitos del Programa ENERGY STAR, compruebe si el producto lleva el logotipo correspondiente.

Si tiene alguna pregunta, póngase en contacto con un representante del servicio técnico.

# Informazioni sulla sicurezza

## ■ Prefazione

Vi ringraziamo per aver acquistato i sistemi digitali multifunzione Toshiba.

Nelle INFORMAZIONI SULLA SICUREZZA si descrivono le precauzioni da adottare quando si utilizzano i seguenti sistemi digitali multifunzione TOSHIBA.

Per la vostra sicurezza, si consiglia di leggere questa guida prima di utilizzare il sistema. I modelli possono variare in funzione del paese di installazione.

La tabella mostra la corrispondenza tra il nome del modello indicato sulla copertina anteriore e il nome del modello riportato sull'etichetta di identificazione.

Nome modello sulla copertina anteriore	Nome modello sull'etichetta di identificazione
e-STUDIO2802A/2802AM/2802AF	DP-2802A/2802AM/2802AF
e-STUDIO2303A	DP-2303A
e-STUDIO2303AM/2803AM	DP-2303AM/2803AM
e-STUDIO2309A/2809A	DP-2309A/2809A

Se nella nota è riportato il nome di un modello, la nota si applicherà al modello indicato; se non è indicato il nome di un modello, la nota si applicherà ai modelli sopra indicati.

Esempio:

**e-STUDIO2309A/2809A:** Nota applicabile al modello e-STUDIO2309A/2809A.

## □ Marchi di fabbrica

I nomi di società e di prodotti riportati nel presente manuale o visualizzati in questo software sono marchi di fabbrica delle rispettive società.

## □ Negazione di responsabilità

Il seguente avviso definisce la negazione e la limitazione di responsabilità di TOSHIBA TEC CORPORATION (compresi suoi dipendenti, agenti e fornitori) nei confronti degli acquirenti o utenti ("Utente") dei sistemi e-STUDIO2802A/2802AM/2802AF, e-STUDIO2303A, e-STUDIO2303AM/2803AM o e-STUDIO2309A/2809A, inclusi accessori, opzioni e software forniti con l'apparecchiatura ("Prodotto").

1. Negazioni e limitazioni di responsabilità qui riportate saranno effettive nella misura massima consentita dalla legge. Si sottolinea altresì che nulla di quanto qui riportato escluderà o limiterà la responsabilità di TOSHIBA TEC CORPORATION per lesioni gravi o fatali a persone, imputabili a negligenza da parte di TOSHIBA TEC CORPORATION o false dichiarazioni di TOSHIBA TEC CORPORATION.
2. Tutte le garanzie, condizioni e altri termini sono, nella misura massima consentita dalla legge, esclusi e nessuna garanzia implicita viene accordata né può essere applicata ai Prodotti.

IT

- 
3. TOSHIBA TEC CORPORATION non sarà responsabile per perdite, costi, spese, reclami o danni imputabili a una delle seguenti cause:
- (a) utilizzo o manipolazione del Prodotto in modo non conforme a quanto indicato nei manuali, inclusi, ma non limitati a Manuale Operatore, Guida Utente, e/o utilizzo o manipolazione non corretti o negligenti del Prodotto;
  - (b) qualunque causa impedisca la corretta operatività e il corretto funzionamento del Prodotto, derivante o attribuibile ad atti, omissioni, eventi o incidenti che vanno oltre il ragionevole controllo da parte di TOSHIBA TEC CORPORATION, inclusi, ma non limitati a, cause di forza maggiore, guerre, sommosse, rivolte civili, atti fraudolenti o intenzionali, incendi, inondazioni, uragani, calamità naturali, terremoti, tensione elettrica anormale o altri disastri;
  - (c) aggiunte, modifiche, montaggio, trasporto o riparazioni non eseguiti dai tecnici dell'assistenza autorizzati da TOSHIBA TEC CORPORATION; o
  - (d) utilizzo di carta, consumabili o parti di ricambio diversi da quelli raccomandati da TOSHIBA TEC CORPORATION.
4. In conformità con il paragrafo 1, TOSHIBA TEC CORPORATION non potrà essere ritenuta responsabile dal Cliente per:
- (a) perdita di profitto; mancata vendita o fatturato; perdita di o danni alla propria reputazione; perdita di produzione; perdita di anticipi; perdita di fiducia o di opportunità di business; perdita di clienti; perdita di o mancato utilizzo di software o dati; perdita per clausole contrattuali;
  - o
  - (b) danni o perdite, speciali, accidentali, indiretti o conseguenti, costi, spese, perdite economiche o richieste di relativo indennizzo;

e per qualsivoglia altro danno causato, derivante o riconducibile al Prodotto o all'utilizzo e manipolazione del Prodotto, anche qualora TOSHIBA TEC CORPORATION sia a conoscenza della possibilità del verificarsi di tali circostanze.

TOSHIBA TEC CORPORATION non sarà responsabile per perdite, costi, spese, reclami o danni causati dal mancato utilizzo (inclusi, ma non limitati a, guasti, disfunzioni, interruzioni, infezioni da virus o altro) derivanti dall'utilizzo del Prodotto in abbinamento con hardware, materiali o software non forniti, direttamente o indirettamente, da TOSHIBA TEC CORPORATION.

## ■ CONTRATTO DI LICENZA SOFTWARE PER L'UTENTE

L'INSTALLAZIONE O QUALUNQUE ALTRO UTILIZZO DI QUESTO PRODOTTO SOFTWARE COMPORTA L'ACCETTAZIONE DA PARTE DELL'UTENTE DEI TERMINI E DELLE CONDIZIONI DEL PRESENTE CONTRATTO (ECCEPTE IN CASO DI RILASCIO DI UNA LICENZA SEPARATA DEL FORNITORE DEL PROGRAMMA APPLICATIVO, NEL QUAL CASO SI APPLICHERÀ TALE LICENZA). SE L'UTENTE NON ACCETTA QUESTI TERMINI, NON POTRÀ INSTALLARE NÉ UTILIZZARE IL SOFTWARE E DOVRÀ PRONTAMENTE RESTITUIRLO AL RIVENDITORE.



---

## **CONCESSIONE DI LICENZA:**

Il presente è un contratto legale fra l'utente finale ("Utente") e TOSHIBA TEC Corporation ("TTEC"). Questo software, come pure i caratteri di stampa (tipi di caratteri inclusi) e la relativa documentazione ("Software"), vengono forniti su licenza per l'utilizzo con la periferica multifunzione (MFP) di TTEC su cui sono installati ("Sistema") in conformità alle clausole contenute in questo Accordo di licenza. Il copyright e tutti gli altri diritti di proprietà intellettuale, così come il titolo e la proprietà del Software, sono di proprietà e appartengono a TTEC e ai suoi fornitori. TTEC declina ogni responsabilità per quanto attiene l'installazione e/o l'utilizzo di questo Software e per quanto ottenuto utilizzando questo Software. L'Utente può utilizzare una copia del Software così come installato su un singolo sistema e non è consentito per alcuna ragione copiare il Software, salvo per quanto necessario per il suo utilizzo su un singolo sistema. Qualsiasi copia del Software sarà soggetta alle clausole di questo Accordo di licenza. L'Utente non può modificare, adattare, unire, tradurre, decompilare, disassemblare o decodificare il Software, né può consentirlo a terzi. Il Software non può essere utilizzato se non in conformità con la presente licenza. Non viene trasferito alcun titolo sulla proprietà intellettuale, che rimane di proprietà di TTEC e dei suoi fornitori. I Codici Sorgente del Software non fanno parte della licenza. È vietato modificare, cancellare, ecc. l'avviso di copyright (anche sulla copia). L'utente sarà legalmente responsabile per violazione di copyright, trasferimento non autorizzato, riproduzione o utilizzo del Software.

## **CESSAZIONE:**

Questa licenza è valida fino alla cessazione da parte di TTEC o in caso di inadempienza dell'Utente alle condizioni del presente Accordo di licenza. Alla risoluzione del contratto, l'utente accetta di distruggere tutte le copie del Software. L'utente può risolvere in qualsiasi momento il presente accordo di licenza distruggendo il Software e tutte le relative copie.

## **LIMITAZIONI DELLA GARANZIA:**

Il software viene fornito "com'è", senza garanzia di alcun genere, esplicita o implicita, includendo, ma non limitandosi a, garanzie implicite di commercializzazione, utilizzo per uno specifico scopo, titolo e non violazione. TTEC declina ogni responsabilità per quanto attiene qualità e prestazioni del Software. Se il software si rivela difettoso, l'Utente (e non TTEC) sarà responsabile dell'intero costo per tutti gli eventuali controlli, riparazioni o correzioni. TTEC non garantisce che le funzionalità contenute nel software risponderanno alle necessità dell'Utente o che il funzionamento del software sarà ininterrotto o privo di errori.

## **AGGIORNAMENTO E CESSAZIONE:**

TTEC può aggiornare e cessare il Software senza alcuna limitazione.

## **SOFTWARE DI TERZE PARTI:**

È possibile che il Software (incluse le future versioni aggiornate) integri dei software di terze parti. I software di terze parti sono disciplinati da termini e condizioni diversi da quelle del presente Accordo di licenza; i termini e le condizioni di detti software sono definiti nell'Accordo di licenza con i fornitori oppure nei file "Leggimi" (o altri file simili ai file "Leggimi") forniti separatamente dal presente Accordo ("Accordi separati, ecc."). Per l'utilizzo dei software di terze parti, l'Utente deve attenersi ai termini e alle condizioni definiti negli Accordi Separati. Fatta eccezione per l'utilizzo dei software di terze parti, l'Utente è tenuto ad agire nel rispetto dei termini e delle condizioni stabiliti nel presente Accordo di licenza.

---

### **LIMITAZIONE DI RESPONSABILITÀ:**

IN NESSUN CASO TTEC SARÀ RESPONSABILE PER GLI EVENTUALI DANNI SPECIALI, ACCIDENTALI, DIRETTI O INDIRETTI (eccetto lesioni personali o morte risultanti da negligenza da parte di TTEC), INCLUSI, SENZA LIMITAZIONI, IL DANNO PER PERDITA O MANCATO GUADAGNO, PERDITA DI DATI O ALTRI DANNI DERIVANTI DALL'USO O DAL MANCATO UTILIZZO DEL PROGRAMMA, ANCHE NEL CASO IN CUI TTEC, O I SUOI FORNITORI, SIANO STATI AVVERTITI DELLA POSSIBILITÀ DI TALI DANNI, NEMMENO PER RIVENDICAZIONI DI TERZE PARTI.

### **LIMITAZIONE DI DIRITTI DEL GOVERNO DEGLI U.S.A.:**

Il Software è fornito con LIMITAZIONE DI DIRITTI. Uso, duplicazione o divulgazione dal Governo degli U.S.A. sono regolati da quanto stabilito al comma (b) (3) (ii) o (c) (i) (ii) della Clausola sui diritti su Dati Tecnici e Software per Computer (Rights in Technical Data and Computer Software Clause) definita ai punti 252.227-7013, o 52.227-19 (c) (2) del DOD FAR, come appropriato.

### **GENERALE:**

L'Utente non può concedere in licenza, noleggiare, affittare, assegnare o trasferire a terzi questa licenza o il Software. È vietato concedere in licenza, assegnare o trasferire qualsiasi diritto, dovere o obbligazione a terzi. L'utente conviene che non intende, e che non spedisce, trasmetterà, esporterà o riesporterà (direttamente o indirettamente) il Software, incluse sue copie, informazioni tecniche contenute nel software, relativi supporti di memorizzazione o qualsiasi prodotto diretto, a Stati o destinazioni vietati dal Governo del Giappone, degli Stati Uniti d'America e del governo del paese di installazione. Questa licenza è regolata dalle Leggi del Giappone o, nel domicilio eletto da un Fornitore di TTEC relativamente a una controversia nascente o in relazione con questo Accordo, dalle leggi dello Stato designato di volta in volta dal pertinente Fornitore TTEC. Se una qualsiasi clausola o parte di questo Accordo di licenza fosse dichiarata illegale, invalida o inapplicabile, le rimanenti clausole o parti rimarranno in vigore e valide a tutti gli effetti.

L'UTENTE CONFERMA DI AVER LETTO QUESTO CONTRATTO DI LICENZA E DI AVERE COMPRESO LE CONDIZIONI DELLO STESSO. SI DICHIARA VINCOLATO ALLE SUE CLAUSOLE E CONDIZIONI. DICHIARA INOLTRE CHE QUESTO CONTRATTO DI LICENZA CONTIENE IL COMPLETO ED ESCLUSIVO ACCORDO CON TTEC E SUOI FORNITORI E SOSTITUISCE QUALSIASI PROPOSTA O CONTRATTO PRECEDENTE, SCRITTO O VERBALE, O QUALSIASI ALTRA COMUNICAZIONE RELATIVA ALL'ARGOMENTO OGGETTO DEL PRESENTE CONTRATTO DI LICENZA.

Produttore/Costruttore è TOSHIBA TEC Corporation, 1-11-1, Osaki, Shinagawa-ku, Tokyo, 141-8562, Giappone

## **■ Precauzioni di sicurezza**

Per utilizzare correttamente la funzione di sicurezza di questo prodotto, leggere attentamente le seguenti precauzioni. Assegnare degli amministratori che abbiano una capacità sufficiente ad assicurare una gestione responsabile poiché verranno loro assegnati privilegi significativi per quanto attiene la gestione e l'amministrazione della periferica.

### **Per gli amministratori**

- Se si verifica un problema di sicurezza fisica, ad esempio rimozione di hardware oppure una manipolazione del sistema nel locale in cui è installato, adottare le opportune misure di sicurezza per controllare le persone che accedono al sistema.

- 
- (Solo per e-STUDIO2802A/2802AM/2802AF, e-STUDIO2303AM/2803AM, e-STUDIO2309A/2809A) Quando si collega questo prodotto ad una rete esterna, ad esempio Internet, utilizzare la periferica solo in un ambiente di rete protetto, ad esempio dotato di protezione firewall, al fine di prevenire divulgazioni di informazioni riconducibili a configurazioni non corrette oppure ad accessi da parte di utenti non autorizzati.
  - (Solo per e-STUDIO2802A/2802AM/2802AF, e-STUDIO2303AM/2803AM, e-STUDIO2309A/2809A) Per prevenire modifiche di configurazione apportate illegalmente, cambiare le password amministratore predefinite prima di utilizzare il sistema. Per ragioni di sicurezza, si consiglia di cambiare periodicamente la password amministratore.
  - (Solo per e-STUDIO2802A/2802AM/2802AF, e-STUDIO2303AM/2803AM, e-STUDIO2309A/2809A) Per utilizzare correttamente la funzione di rete e la funzione di gestione reparto, leggere dapprima la Guida di TopAccess e la Guida Utente.  
(Solo per e-STUDIO2303A) Per utilizzare correttamente la funzione di gestione reparto, leggere dapprima la Guida Utente.
  - Assicurarsi di aver correttamente compreso la policy e le procedure di sicurezza aziendali, quindi amministrare e gestire la periferica in conformità con la policy aziendale dopo aver preventivamente letto il manuale utente. Spiegare agli utenti generici autorizzati ad utilizzare la periferica le istruzioni di sicurezza che sono tenuti a rispettare per operare in conformità con la policy di sicurezza aziendale.
  - Assegnare agli utenti generici i privilegi appropriati per l'utilizzo della periferica e assicurarsi che la periferica venga utilizzata in modo corretto.
  - (Solo per e-STUDIO2802A/2802AM/2802AF, e-STUDIO2303AM/2803AM, e-STUDIO2309A/2809A) Per preservare la sicurezza, accertarsi sempre che sia abilitata la funzione di rete oppure la funzione di gestione reparto. Qualora si riscontrino delle anomalie, contattare immediatamente il tecnico dell'assistenza. Per il metodo di controllo, vedere la Guida di TopAccess e la Guida Utente.  
(Solo per e-STUDIO2303A) Per preservare la sicurezza, accertarsi sempre che sia abilitata la funzione di gestione reparto. Qualora si riscontrino delle anomalie, contattare immediatamente il tecnico dell'assistenza. Per il metodo di controllo, vedere la Guida Utente.

## ❑ Per gli utenti generici

- Al termine di un lavoro, ricordarsi di prelevare gli originali, le copie stampate o la chiavetta USB.
- (Solo per e-STUDIO2802A/2802AM/2802AF, e-STUDIO2303AM/2803AM, e-STUDIO2309A/2809A) Cambiare la password a intervalli regolari. Non utilizzare numeri prevedibili, come la data di nascita o altri numeri simili; riporre in un luogo sicuro la combinazione numerica utilizzata per la password.
- Quando si esegue un lavoro è consigliabile non allontanarsi dalla periferica per evitare che gli originali o le copie possano essere visti o prelevati da estranei.

## ■ Informazione per gli utenti

Una volta scelto il luogo di installazione adatto del sistema e-STUDIO2802A/2802AM/2802AF, e-STUDIO2303A, e-STUDIO2303AM/2803AM o e-STUDIO2309A/2809A, si consiglia di non cambiarlo. Evitare luoghi soggetti a polvere, vibrazioni, calore oppure esposti alla luce diretta del sole. Si deve inoltre prevedere la corretta aerazione del locale poiché la copiatrice emette una minima quantità di ozono.

Questo sistema è classificato come Prodotto Laser di Classe 1 conformemente alle disposizioni della normativa IEC60825-1:2007 e relativi emendamenti.  
Il sistema utilizza diodi laser con un output max. di 10 mW, una lunghezza d'onda di 785 nm e una durata di impulso di 1,25  $\mu$ s.

### **ATTENZIONE**

Il ricorso a controlli, regolazioni o procedure diversi da quelli qui specificati possono esporre l'operatore a radiazioni pericolose.

### **AVVERTENZA**

Questa apparecchiatura è classificata come prodotto di Classe A. In zone residenziali, il prodotto può provocare delle radio interferenze. In tal caso, all'utente potrebbe essere richiesto di adottare le appropriate contromisure.



Indica che i prodotti che riportano questo simbolo utilizzano il raggio laser; l'esposizione al laser può causare lesioni agli occhi, danni oculari e/o bruciature cutanee. Attenersi alle istruzioni contrassegnate da questo simbolo.



Indica che le aree contrassegnate da questo simbolo sono soggette ad alte temperature; evitare il contatto con queste aree per evitare pericoli di ustioni e/o lesioni. Evitare di toccare queste aree e le zone circostanti.

### **Solo per gli U.S.A.**

#### **FCC NOTICE**

This equipment has been tested and found to comply with the limits for a Class A digital device, pursuant to Part 15 of the FCC Rules. These limits are designed to provide reasonable protection against harmful interference when the equipment is operated in a commercial environment. This equipment generates, uses and can radiate radio frequency energy and, if not installed and used in accordance with the instruction manual, may cause harmful interference to radio communications. Operation of this equipment in a residential area is likely to cause harmful interference in which case the user will be required to correct the interference at his own expense.

#### **WARNING**

Changes or modification made to this equipment, not expressly approved by TOSHIBA TEC or parties authorized by TOSHIBA TEC, could void the user's authority to operate the equipment.

---

**User Safety**

This TOSHIBA Multifunctional Digital Systems does not produce laser radiation hazardous to the user. It is certified as a Class 1 laser product under the U.S Department of Health and Human Services (DHHS) Radiation Performance Standard according to the Radiation Control Health and Safety Act of 1968 including amendments.

Protective housing and external covers completely confine the laser beam light emitted inside the multifunctional digital systems. The laser beam cannot escape from the machine during any phase of user operation.

Regulations implemented on August 2, 1976 by the Bureau of Radiological Health (BRH) of the U.S Food and Drug Administration apply to laser products manufactured from August 1, 1976. Laser products marketed in the United States must comply with these regulations.

**CAUTION**

Use of controls or adjustments or performance of procedures other than those specified herein may result in hazardous radiation exposure.

**Per U.S.A. e Canada****Regulatory Information**

Toshiba is dedicated to preserving the environment by sponsoring Call2Recycle, a program of the Rechargeable Battery Recycling Corporation. For more information and for drop-off locations, visit [www.rbrc.org](http://www.rbrc.org) or call 1-800-822-8837.

Notice regarding CR coin cell batteries, applicable to California, U.S.A. only: Perchlorate Material - special handling may apply.

See <http://www.dtsc.ca.gov/hazardouswaste/perchlorate/>

**California Proposition 65: Solo per la California****⚠ AVVERTENZA**

This product can expose you to Phthalate[s] known to the State of California to cause cancer, birth defects or other reproductive harm. For more information go to [www.P65Warnings.ca.gov/product](http://www.P65Warnings.ca.gov/product).

**Solo per il Canada**

This Class A digital apparatus complies with Canadian ICES-003.

Cet appareil numérique de la classe A est conforme à la norme NMB-003 du Canada.

**IT**

## Solo per l'Unione Europea

### Ambiente operativo

Sotto il profilo della compatibilità elettromagnetica (EMC - Electromagnetic Compatibility), l'operatività del prodotto può subire delle restrizioni nei seguenti ambienti:

- Ambienti medicali: questo prodotto non è certificato come dispositivo medicale ai sensi della Direttiva 93/42/CEE (Dispositivi medicali).
- Ambienti residenziali (es. un salotto con apparecchi radio/TV installati nelle vicinanze) con i quali il prodotto potrebbe interferire in quanto classificato come Prodotto A dalla direttiva sulla compatibilità elettromagnetica. In zone residenziali, il prodotto può provocare delle radio interferenze. In tal caso, all'utente potrebbe essere richiesto di adottare le appropriate contromisure.

TOSHIBA TEC declina ogni responsabilità per conseguenze risultanti dall'utilizzo del prodotto in ambienti non idonei.

Le conseguenze risultanti dall'impiego del prodotto in ambiti operativi non idonei possono essere le interferenze magnetiche con altre apparecchiature installate nelle vicinanze. Tali interferenze possono causare disfunzioni quali perdita di dati/errori dati sul prodotto o sugli altri dispositivi interessati dall'interferenza elettromagnetica.

Infine, per ragioni di sicurezza generali, non è consentito l'utilizzo di questo prodotto in ambienti con atmosfera esplosiva.

### Compatibilità CE

Questo prodotto è etichettato con il marchio CE ai sensi delle disposizioni delle Direttive Europee applicabili e, specificamente, la Direttiva Bassa Tensione 2006/95/CE (prima del 20-04-2016), 2014/35/EU (dopo il 04-20-2016), la Direttiva sulla Compatibilità Elettromagnetica 2004/108/CE (prima del 20-04-2016), 2014/30/EU (dopo il 20-04-2016), la Direttiva RoHS 2011/65/EU, per questo prodotto e per gli accessori elettrici, la Direttiva per apparecchiature radio e terminali di telecomunicazione 1999/5/CE per gli accessori di telecomunicazione.

Responsabile della marcatura CE è TOSHIBA TEC GERMANY IMAGING SYSTEMS GmbH, Carl-Schurz-Str. 7, 41460 Neuss, Germania, telefono +49-(0)-2131-1245-0.

Per reperire una copia della Dichiarazione di conformità CE, rivolgersi a TOSHIBA TEC.

### Avvertenza:

Questa apparecchiatura è classificata come prodotto di Classe A. In zone residenziali, il prodotto può provocare delle radio interferenze. In tal caso, all'utente potrebbe essere richiesto di adottare le appropriate contromisure.

Questa informazione riguarda solo gli Stati Membri dell'Unione Europea:



Questo prodotto è marcato in conformità con le disposizioni della Direttiva UE sui rifiuti di apparecchiature elettriche ed elettroniche - WEEE.

Questo simbolo indica che il prodotto non può essere smaltito tra i normali rifiuti urbani bensì dovrà essere sottoposto a trattamento differenziato. Con il corretto smaltimento di questo prodotto, si contribuirà a prevenire potenziali ripercussioni negative sull'ambiente e sulla salute delle persone riconducibili alla non corretta gestione della dismissione del prodotto.

Per maggiori informazioni sul ritiro e riciclaggio del prodotto, rivolgersi al rivenditore presso il quale è stato acquistato il prodotto.

---

Questa informazione riguarda solo gli Stati Membri dell'Unione Europea:



Smaltimento di batterie e/o accumulatori secondo le disposizioni della Direttiva UE sulle batterie e accumulatori e sulle batterie e accumulatori esausti.

Con il corretto smaltimento di batterie e/o accumulatori, si contribuirà a prevenire potenziali ripercussioni negative sull'ambiente e sulla salute delle persone riconducibili alla non corretta gestione della dismissione del prodotto.

Per maggiori informazioni sul ritiro e riciclaggio di batterie e/o accumulatori, rivolgersi al rivenditore presso il quale è stato acquistato il prodotto.

Questo dispositivo non è inteso all'uso nel campo visivo diretto delle postazioni di lavoro. Per evitare fastidiosi riflessi nelle postazioni di lavoro, evitare di posizionare il dispositivo direttamente nel campo visivo.

### Solo per l'India

Questa informazione riguarda solo l'India:



Questo simbolo indica che il prodotto non può essere smaltito tra i normali rifiuti urbani bensì dovrà essere sottoposto a trattamento differenziato. Con il corretto smaltimento di questo prodotto, si contribuirà a prevenire potenziali ripercussioni negative sull'ambiente e sulla salute delle persone riconducibili alla non corretta gestione della dismissione del prodotto.

Per maggiori informazioni sul ritiro e riciclaggio del prodotto, rivolgersi al rivenditore presso il quale è stato acquistato il prodotto.

### Solo per l'Argentina

Questa informazione riguarda solo la provincia di Buenos Aires, Argentina:



La siguiente información es solo para Argentina

El uso de este símbolo indica que este producto no puede ser tratado como residuos domésticos.

Asegúrese que este producto se deseche correctamente, Usted ayudara a evitar posibles consecuencias negativas para el medio ambiente y la salud humana, que podrían derivarse de la incorrecta manipulación de este producto.

Para mas información sobre el reciclaje de este producto, consulte con nuestro.

IT



---

### Solo per la Turchia

Questa informazione riguarda solo la Turchia:

AEEE Yönetmeliğine Uygundur

### Solo per la Cina

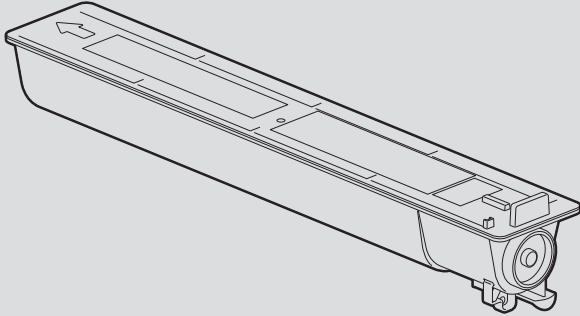
	I prodotti che riportano questo marchio possono essere utilizzati in aree diverse dall'area climatica tropicale in Cina.
	I prodotti che riportano questo marchio possono essere utilizzati in aree fino a 2.000 metri al di sopra del livello del mare in Cina.

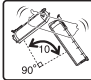



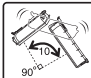

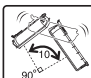



## ■ La garanzia della qualità Toshiba

Per ottenere risultati ottimali, si raccomanda di utilizzare solo materiali di consumo originali TOSHIBA.

La figura mostra la cartuccia toner del modello e-STUDIO2802A/2802AM/2802AF.



<p><b>TOSHIBA</b></p> <p><b>T-2802U</b></p> <p>FOR/POUR e-STUDIO2802AM/2802AF</p> <p><small>COMPONENTS: Polyester resin,Carbon black(1333-86-4),Wax, Organic Metal Complex,Titanium dioxide, Amorphous Silica(7631-86-9)</small></p>	<p><b>ORIGINAL &amp; GENUINE TOSHIBA TONER</b></p> <p>NET 338 g</p> <ul style="list-style-type: none"> <li>■ HANDLE WITH CARE.</li> <li>■ STORE IN A DRY PLACE BELOW 35°C(95°F).</li> <li>■ READ THE OPERATING INSTRUCTIONS OF THE MACHINE BEFORE USING.</li> <li>■ DO NOT TOUCH THE METAL CONTACT ON THE CIRCUIT BOARD.</li> </ul> <p><b>TOSHIBA TEC CORPORATION</b> Gate City Ohsaki West Tower, 1-11-1, Osaki, Shinagawa-ku, Tokyo, 141-8562, Japan TEL +81-3-6830-9100 MADE IN CHINA / FABRIQUE EN CHINE</p>	<p>■ MANIPULER AVEC PRECAUTION. ■ GARDER DANS UN ENDROIT SANS HUMIDITE OU LA TEMPERATURE AMBIANTE EST MOINS DE 35°C. <p>■ LIRE LE MANUEL D'EMPLOI DE L'APPAREIL AVANT D'EN FAIRE USAGE.</p> <p>■ NE PAS TOUCHER LA PIECE METALLIQUE SUR LE TABLEAU DE CIRCUITS.</p> <div style="text-align: right;">   </div> <p style="text-align: right; font-size: small;">Patent : <a href="http://www.toshibatec.co.jp/en/patent/">http://www.toshibatec.co.jp/en/patent/</a></p> </p>
<p><b>TOSHIBA</b></p> <p><b>T-2802E</b></p> <p>FOR/POUR/FÜR/DA/PARA e-STUDIO2802AM/2802AF</p> <p><small>COMPONENTS: Polyester resin,Carbon black(1333-86-4),Wax, Organic Metal Complex,Titanium dioxide, Amorphous Silica(7631-86-9)</small></p>	<p><b>ORIGINAL &amp; GENUINE TOSHIBA TONER</b></p> <p>NET 338 g</p> <ul style="list-style-type: none"> <li>● SHAKE WELL BEFORE USING.</li> <li>● AGITER AVANT EMPLOI.</li> <li>● VOR GEBRAUCH GUT SCHÜTTELN.</li> <li>● AGITARE BENE PRIMA DELL'USO.</li> <li>● SACUDIR BIEN ANTES DE USER.</li> </ul> <p><b>TOSHIBA TEC CORPORATION</b> Gate City Ohsaki West Tower, 1-11-1, Osaki, Shinagawa-ku, Tokyo, 141-8562, Japan TEL +81-3-6830-9100 MADE IN CHINA / FABRIQUE EN CHINE HERGESTELLT IN CHINA HECHO EN CHINA / FATTO IN CINA</p>	<p>■ DO NOT TOUCH THE METAL CONTACT ON THE CIRCUIT BOARD. <p>● NE PAS TOUCHER LES CONTACTS METALLIQUES DU CIRCUIT IMPRIME. <p>● NON TOCCARE IL PEZZO DI METALLO NELLA SCHEDA DEI CIRCUITI. <p>● DAS METALLSTÜCK AUF DER STROMKREISTAFEL NICHT BERÜHREN. <p>● NO TOCAR LA PIEZA METALICA EN EL TABLERO DE CIRCUITOS.</p> <div style="text-align: right;">     </div> <p style="text-align: right; font-size: small;">PAT. P.</p> </p></p></p></p>
<p><b>TOSHIBA</b></p> <p><b>T-2802P</b></p> <p>FOR/POUR e-STUDIO2802A/2802AM/2802AF</p> <p><small>COMPONENTS: Polyester resin,Carbon black(1333-86-4),Wax, Organic Metal Complex,Titanium dioxide, Amorphous Silica(7631-86-9)</small></p>	<p><b>ORIGINAL &amp; GENUINE TOSHIBA TONER</b></p> <p>NET 338 g</p> <ul style="list-style-type: none"> <li>■ HANDLE WITH CARE.</li> <li>■ STORE IN A DRY PLACE BELOW 35°C(95°F).</li> <li>■ READ THE OPERATING INSTRUCTIONS OF THE MACHINE BEFORE USING.</li> <li>■ DO NOT TOUCH THE METAL CONTACT ON THE CIRCUIT BOARD.</li> </ul> <p><b>TOSHIBA TEC CORPORATION</b> Gate City Ohsaki West Tower, 1-11-1, Osaki, Shinagawa-ku, Tokyo, 141-8562, Japan TEL +81-3-6830-9100 MADE IN CHINA / FABRIQUE EN CHINE</p>	<p>■ MANIPULER AVEC PRECAUTION. ■ GARDER DANS UN ENDROIT SANS HUMIDITE OU LA TEMPERATURE AMBIANTE EST MOINS DE 35°C. <p>■ LIRE LE MANUEL D'EMPLOI DE L'APPAREIL AVANT D'EN FAIRE USAGE.</p> <p>■ NE PAS TOUCHER LA PIECE METALLIQUE SUR LE TABLEAU DE CIRCUITS.</p> <div style="text-align: right;">   </div> <p style="text-align: right; font-size: small;">PAT. P.</p> </p>

IT

---

## ❑ Materiali di consumo/ricambi

- **Certificazione di qualità**

Tutti i materiali di consumo originali Toshiba sono sottoposti a rigorosi controlli di certificazione della qualità delle prestazioni.

- **Elevata produttività**

I materiali di consumo originali Toshiba sono progettati per rispondere alle richieste più esigenti e assicurare un'operatività affidabile, veloce, senza inconvenienti, indispensabile in una realtà altamente competitiva come quella odierna.

- **Qualità immagine costante**

I materiali di consumo originali Toshiba sono progettati per garantire una qualità immagine costante.

- **Materiali di consumo originali per un funzionamento sicuro e senza inconvenienti**

I materiali di consumo originali Toshiba sono progettati per assicurare alla copiatrice e ai suoi componenti un funzionamento sicuro, senza inconvenienti. La riduzione dell'usura della macchina, resa possibile dalla profonda conoscenza di Toshiba delle caratteristiche di questi sistemi, assicura i più elevati standard prestazionali.

- **Materiali di consumo specificamente messi a punto per la copiatrice**

La fase di progettazione di una macchina comprende anche lo studio di materiali di consumo specifici. Per ogni nuova macchina Toshiba progettata viene anche studiato un nuovo toner, specificamente messo a punto per quella macchina. I materiali di consumo originali Toshiba assicurano all'utilizzatore prestazioni ottimali.

## ❑ Toner

- **Alta qualità d'immagine**

I toner Toshiba utilizzano materiali di comprovata qualità e parametri accuratamente testati per assicurare immagini sempre nitide e di alta qualità.

- **Risparmio**

I toner originali Toshiba significano anche risparmio. Sono infatti progettati per utilizzare, nel processo di copiatura, solo la quantità esatta di toner che consente dunque alla macchina di continuare ad operare fino al completo esaurimento di tutto il toner. Per l'utente, questo si traduce in un efficiente ammortamento dei costi del toner per ogni cartuccia utilizzata.

- **Rispetto dell'ambiente**

I materiali di consumo originali Toshiba sono realizzati nel rispetto dei più rigorosi parametri ambientali. Per proteggere l'ambiente a beneficio delle future generazioni, sulle cartucce toner vengono apposte delle etichette in plastica o delle serigrafie per favorire il processo di riciclaggio. Inoltre, per migliorare la qualità dell'ambiente di lavoro, sono state anche minimizzate le emissioni di ozono e di polveri dannose.

- **Rispetto della salute**

Prima della commercializzazione, i nostri toner devono superare i più rigorosi standard di sicurezza in materia di salute. Questo elimina ogni preoccupazione nella loro manipolazione.

## ❑ Varie

- **I vantaggi dell'assistenza e del supporto Toshiba**

I tecnici dell'assistenza Toshiba sono formati per assicurare alle copiatrici Toshiba operatività e prestazioni ottimali. Per ottenere una qualità ottimale costante, far eseguire la manutenzione periodica della copiatrice a un centro di assistenza autorizzato Toshiba.

---

## ■ Suggerimenti per la lettura di questo manuale

### □ Simboli utilizzati nel manuale

Nel manuale si utilizzano i seguenti simboli per evidenziare delle informazioni importanti; leggere attentamente tali informazioni prima di utilizzare il sistema.

#### **AVVERTENZA**

Segnala una situazione di potenziale rischio che, se non evitata, potrebbe causare lesioni gravi a persone e danneggiare o incendiare apparecchiature o beni.

#### **ATTENZIONE**

Segnala una situazione di potenziale rischio che, se non evitata, può causare ferite alle persone, danni parziali alla macchina o ad oggetti nelle vicinanze oppure perdite di dati.

#### **Nota**

Riporta delle informazioni alle quali fare attenzione quando si utilizza il sistema.

Il manuale riporta, inoltre, le seguenti informazioni che potrebbero aiutare l'utente nell'utilizzo del sistema:

#### **Suggerimenti**

Segnala informazioni utili sulle modalità di funzionamento del sistema.



Segnala le pagine contenenti informazioni sull'operazione in corso. Consultare queste pagine all'occorrenza.

## ■ Precauzioni generali

### □ Installazione o spostamento

#### **AVVERTENZA**

##### **Per U.S.A. e Canada**

Questi sistemi devono essere collegati a una presa di corrente da 120 V, 12 A, 50/60 Hz.

##### **Per l'Unione Europea**

Questi sistemi devono essere collegati a una presa di corrente da 220 - 240 V AC, 8 A, 50/60 Hz.

##### **Eccetto U.S.A., Canada e UE**

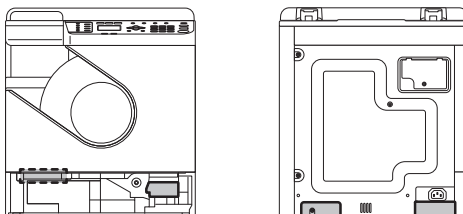
Questi sistemi devono essere collegati a una presa di corrente da 220 - 240 V AC, 8 A, 50/60 Hz.

- Non utilizzare un'alimentazione elettrica con tensione diversa da quella specificata. Evitare di collegare altri dispositivi alla stessa presa di corrente a cui è collegato il sistema. Si potrebbero causare incendi o scosse elettriche. Se si considera l'opportunità di installare altre prese di corrente, rivolgersi a un elettricista qualificato.
- Collegare sempre i sistemi ad una presa di corrente con messa a terra, al fine di evitare cortocircuiti che possono causare incendi o scosse elettriche. Contattare il servizio di assistenza per ulteriori informazioni. Utilizzare una presa di corrente tripolare con messa a terra. Per i sistemi digitali multifunzione si richiede una messa a terra di sicurezza, tranne che negli USA e in Canada dove si utilizza una spina bipolare. Non collegare mai a massa con tubazioni del gas o dell'acqua o altri oggetti non idonei per la messa a terra.
- Collegare correttamente il cavo di alimentazione alla presa di corrente. In caso contrario, la presa potrebbe generare calore e provocare quindi incendi o scosse elettriche.

- Non danneggiare, non rompere e non tentare di riparare il cavo di alimentazione. Evitare che il cavo di alimentazione:
  - Venga attorcigliato
  - Venga piegato
  - Venga tirato
  - Sia posto sotto ad altri oggetti
  - Si surriscaldi
  - Venga posto vicino a radiatori o altre sorgenti di calore
 In queste condizioni, il cavo potrebbe causare incendi o provocare scosse elettriche. Se il cavo di alimentazione è danneggiato, contattare l'assistenza.
- Non installare e non spostare l'apparecchiatura da soli. Ci si potrebbe ferire o causare danni all'apparecchiatura. Per l'installazione o lo spostamento dell'apparecchiatura, richiedere l'intervento del tecnico dell'assistenza.
- La presa di corrente deve essere nelle vicinanze del sistema e facilmente accessibile.
- Scollegare la spina dalla presa di corrente per pulire i contatti; eseguire tale operazione più di una volta all'anno. L'accumulo di polvere o sporcizia potrebbe causare incendi dovuti al calore rilasciato dalla dispersione elettrica.

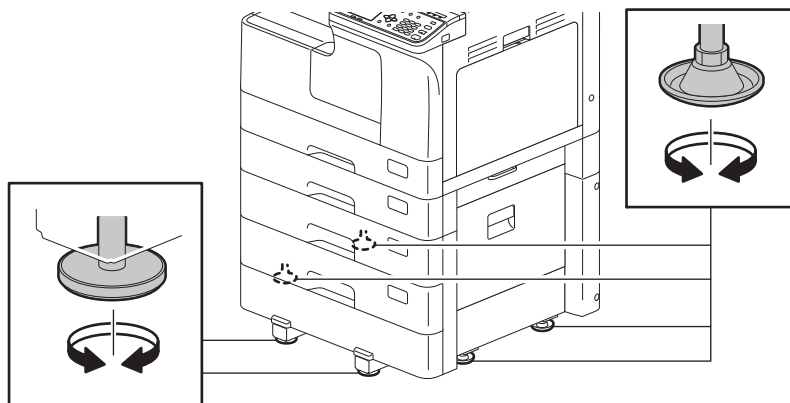
## ⚠ ATTENZIONE

- Installare il sistema in un luogo che possa reggerne il peso e che abbia una superficie a livello; l'eventuale caduta del sistema può provocare serie lesioni.  
I pesi delle periferiche sono i seguenti:
  - e-STUDIO2802A: circa 19,5 kg (43,0 libbre.)
  - e-STUDIO2802AM: circa 24,0 kg (52,9 libbre.)
  - e-STUDIO2802AF: circa 24,5 kg (54,0 libbre.)
  - e-STUDIO2303A: circa 24,3 kg (53,6 libbre.)
  - e-STUDIO2303AM/2803AM: circa 24,3 kg (53,6 libbre.)
  - e-STUDIO2309A/2809A: circa 25,0 kg (55,1 libbre.)
- (**e-STUDIO2802A/2802AM/2802AF**) Per lo spostamento della periferica occorre rimuovere il cassetto; si richiede inoltre la presenza di due o più persone per reggere la periferica nei punti indicati in figura. L'inosservanza di queste istruzioni può provocare problemi di funzionamento e pericolo di lesioni.



- Non tirare il cavo di alimentazione quando lo si scollega dalla presa di corrente. Impugnare sempre la spina prima di scollegarla dalla presa di corrente. Tirando il cavo di alimentazione si possono danneggiare i fili elettrici con conseguente pericolo di incendio o scosse elettriche.
- Assicurarsi che i fori previsti per l'aerazione del sistema non siano ostruiti. L'eccessivo surriscaldamento del sistema potrebbe causare un incendio.
- Prima di collegare il cavo d'interfaccia, spegnere il sistema; se l'alimentazione non viene esclusa, vi è pericolo di scosse elettriche.

- (**e-STUDIO2309A/2809A**) Il piedistallo di alimentazione carta ha 6 dispositivi di regolazione (dispositivi antiscivolo). Quando si installa o si sposta la periferica, ricordarsi di ruotare e abbassare questi dispositivi per fissarli in posizione. Fissare quindi i fermi anti-caduta.



### ⚠ **AVVERTENZA**

Non installare e non spostare l'apparecchiatura da soli. Ci si potrebbe ferire o causare danni all'apparecchiatura. Per l'installazione o lo spostamento dell'apparecchiatura, richiedere l'intervento del tecnico dell'assistenza.

### **Altre precauzioni**

- La presa di corrente deve essere nelle vicinanze del sistema e deve essere facilmente accessibile.
- Se lo spazio è insufficiente, la scarsa aerazione può provocare disfunzioni, inoltre alcune operazioni, come ad esempio l'alimentazione da bypass e la risoluzione di inceppamenti, potrebbero essere di difficile esecuzione. Per un'operatività ottimale, attenersi alla tabella riportata di seguito.

<b>Spazio raccomandato</b>		
<b>Dietro</b>	<b>Sinistra</b>	<b>Destra</b>
20 cm (7.9")	30 cm (11.8")	80 cm (31.5")

- Fissare saldamente il cavo di alimentazione per evitare che qualcuno possa inciampare.
- Anche condizioni ambientali non idonee possono influire sull'operatività dei sistemi digitali multifunzione e persino danneggiarli.
  - Evitare luoghi in prossimità di finestre o esposti alla luce diretta del sole.
  - Evitare luoghi soggetti a forti sbalzi di temperatura.
  - Evitare luoghi molto polverosi.
  - Evitare luoghi soggetti a vibrazioni.
- Assicurarsi che vi sia circolazione d'aria e sufficiente aerazione. In assenza di una corretta aerazione, l'atmosfera si impregna dell'odore sgradevole rilasciato dall'ozono.

## ❑ Utilizzo dei sistemi digitali multifunzione

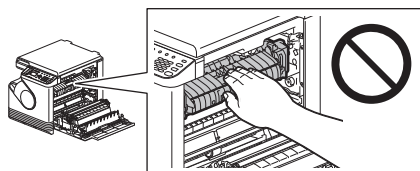
### ⚠ AVVERTENZA

- Non rimuovere le coperture; ci si potrebbe ferire o prendere la scossa.
- Non collegare o scollegare la spina con le mani bagnate, si potrebbe prendere la scossa.
- Non posizionare contenitori con liquidi (vasi di fiori, tazze di caffè, ecc.) sul sistema o nelle vicinanze.  
Si potrebbero provocare incendi o scosse elettriche.
- Fare attenzione a non far cadere fermagli o punti per pinzatrici nei fori di aerazione. Vi è il pericolo di innescare incendi o scosse elettriche.
- Se i sistemi si surriscaldano oppure generano fumo o rumori e odori strani, procedere come segue.  
Spegnere l'interruttore principale, scollegare la spina dalla presa della corrente e chiamare l'assistenza.
- Se i sistemi rimangono inutilizzati per un periodo di tempo superiore al mese, scollegare la spina dalla presa di corrente per ragioni di sicurezza. Un eventuale difetto di isolamento potrebbe dare origine a incendi o provocare scosse elettriche.
- Evitare di toccare parti diverse da quelle specificate nel manuale operatore. Vi è infatti il pericolo di scossa elettrica, ferite o ustioni e si possono anche causare malfunzionamenti della periferica.

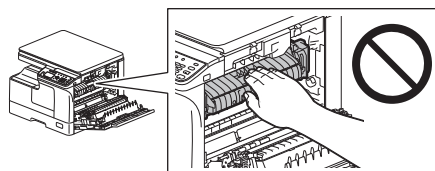
### ⚠ ATTENZIONE

- Non appoggiare oggetti pesanti (4 kg o più) sulla lastra di esposizione e non applicare eccessiva forza. Se la lastra si rompe, ci si potrebbe ferire.
- Non appoggiare oggetti pesanti (4 kg o più) sui sistemi digitali multifunzione. Potrebbero cadere e ferire delle persone.
- (**e-STUDIO2802A/2802AM/2802AF**) Per rimuovere o installare il cassetto, reggerlo con entrambe le mani e fare attenzione a non farlo cadere; la caduta del cassetto può causare lesioni.
- Nel richiudere il cassetto, fare attenzione a non intrappolare le dita; ci si potrebbe far male.
- Non toccare il gruppo fusore né l'area metallica circostante. La temperatura in questa sezione della macchina raggiunge infatti livelli molto elevati.

e-STUDIO2802A/2802AM/2802AF

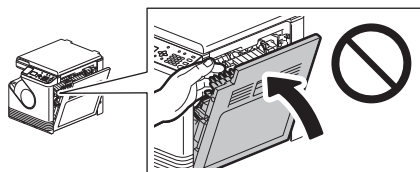


e-STUDIO2303A/2303AM/2803AM/2309A/2809A

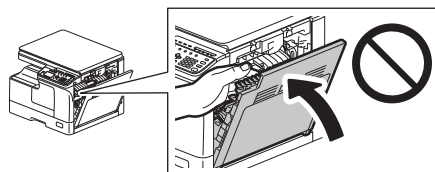


- Fare attenzione a non intrappolare le dita tra il sistema e il coperchio laterale; ci si potrebbe far male.

e-STUDIO2802A/2802AM/2802AF



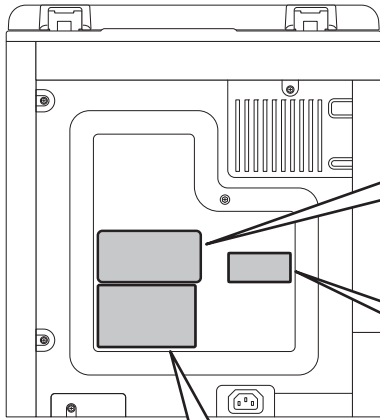
e-STUDIO2303A/2303AM/2803AM/2309A/2809A



- Quando si apre o si richiude l'Alimentatore automatico degli originali o l'Alimentatore con inversione automatica degli originali, fare attenzione a non intrappolare le dita tra il lato posteriore e il sistema; ci si potrebbe far male.
- Non estrarre i cassette e utilizzarli come appoggi; si può cadere.

# Posizione delle etichette di certificazione.

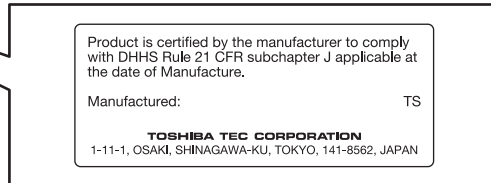
## e-STUDIO2802A/2802AM/2802AF



Etichetta informativa



Etichette di certificazione (Per U.S.A. e Canada)



Etichetta di identificazione

<p>Per U.S.A. e Canada</p> <p><b>TOSHIBA</b> MULTIFUNCTIONAL DIGITAL SYSTEMS /SYSTEME MULTIFONCTION NUMERIQUE e-STUDIO2802AM MODEL/MODELE DP-2802AM 120V ~ 50/60Hz 12A NO.</p> <p> complies with UL 60950-1 CSA C22.2 No.60950-1</p> <p><b>TOSHIBA TEC CORPORATION</b> TC MADE IN CHINA/FABRIQUE EN CHINE</p>	<p>Per UE</p> <p><b>TOSHIBA</b> MULTIFUNCTIONAL DIGITAL SYSTEMS /SYSTEME MULTIFONCTION NUMERIQUE e-STUDIO2802AM MODEL/MODELE DP-2802AM 220-240V ~ 50/60Hz 8A NO.</p> <p> </p> <p><b>TOSHIBA TEC CORPORATION</b> TC MADE IN CHINA/FABRIQUE EN CHINE</p>
---	--

Etichetta di avvertenza

危険。ドラムユニットを開放した状態で光学ユニットを開けたらレーザー放射を発生させる。クラス3Bの有害レーザー放射の発生により、人間の健康を損傷させる。

DANGER-CLASS 3B INVISIBLE LASER RADIATION WHEN OPTICAL UNIT OPEN OR DRUM UNIT REMOVED AND INTERLOCK DEFEATED. AVOID DIRECT EXPOSURE TO BEAM.

VORSICHT-KLASSE 3B UNSICHTBARE LASERSTRAHLUNG, WENN DIE ABSCHLÜSSELUNG GEÖFFNET ODER DIE TROMMEL ENTFERNT UND DIE VERBIEGELUNG UNWIRKSAM GEMACHT WIRD. NICHT DIREKT DEM STRAHL AUSSETZEN.

DANGER-CLASSE 3B RAYON LASER INVISIBLE LORSQUE LE BLOC OPTIQUE EST OUVERT, LE TAMBOUR RETIRE ET LE VERROUILLAGE HORS D'USAGE. EVITER L'EXPOSITION DIRECTE AU RAYON.

PELIGRO-RADIACION INVISIBLE DE LASER CLASE 3B CUANDO LA UNIDAD OPTICA ESTA ABIERTA O LA UNIDAD DEL CILINDRO ES RETIRADA Y CUANDO EL INTERRUPTOR DE SEGURIDAD ESTA DE SACTIVADO. EVITE EXPOSICION DIRECTA AL RAYO.

Etichetta di avvertenza

危険。ドラムユニットを開放した状態で光学ユニットを開けたらレーザー放射を発生させる。クラス3Bの有害レーザー放射の発生により、人間の健康を損傷させる。

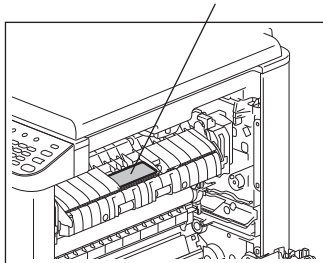
DANGER-CLASS 3B INVISIBLE LASER RADIATION WHEN OPTICAL UNIT OPEN OR DRUM UNIT REMOVED AND INTERLOCK DEFEATED. AVOID DIRECT EXPOSURE TO BEAM.

VORSICHT-KLASSE 3B UNSICHTBARE LASERSTRAHLUNG, WENN DIE ABSCHLÜSSELUNG GEÖFFNET ODER DIE TROMMEL ENTFERNT UND DIE VERBIEGELUNG UNWIRKSAM GEMACHT WIRD. NICHT DIREKT DEM STRAHL AUSSETZEN.

DANGER-CLASSE 3B RAYON LASER INVISIBLE LORSQUE LE BLOC OPTIQUE EST OUVERT, LE TAMBOUR RETIRE ET LE VERROUILLAGE HORS D'USAGE. EVITER L'EXPOSITION DIRECTE AU RAYON.

PELIGRO-RADIACION INVISIBLE DE LASER CLASE 3B CUANDO LA UNIDAD OPTICA ESTA ABIERTA O LA UNIDAD DEL CILINDRO ES RETIRADA Y CUANDO EL INTERRUPTOR DE SEGURIDAD ESTA DE SACTIVADO. EVITE EXPOSICION DIRECTA AL RAYO.

Avvertenza di area soggetta ad alta temperatura (gruppo fusore)




# e-STUDIO2303A/2303AM/2803AM/2309A/2809A

## Etichetta di identificazione

Per U.S.A. e Canada

**TOSHIBA**  
 MULTIFUNCTIONAL DIGITAL SYSTEMS  
 /SYSTEME MULTIFONCTION NUMERIQUE e-STUDIO2809A  
 MODEL/MODELE DP-2809A  
 120V ~  
 50/60Hz 12A  
 NO.




 complies with  
 UL 60950-1  
 CSA C22.2 No.60950-1

**TOSHIBA TEC CORPORATION** TC  
 MADE IN CHINA/FABRIQUE EN CHINE

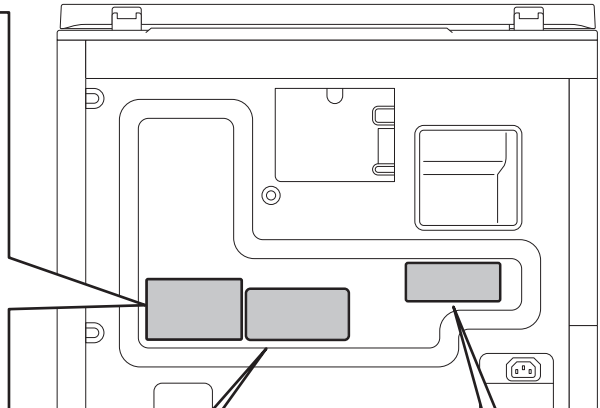
---

Per UE

**TOSHIBA**  
 MULTIFUNCTIONAL DIGITAL SYSTEMS  
 /SYSTEME MULTIFONCTION NUMERIQUE e-STUDIO2809A  
 MODEL/MODELE DP-2809A  
 220-240V ~  
 50/60Hz 8A  
 NO.

**TOSHIBA TEC CORPORATION** TC  
 MADE IN CHINA/FABRIQUE EN CHINE



## Etichetta informativa

**CLASS 1 LASER PRODUCT**  
 APPAREIL À LASER DE CLASSE 1  
 LASER KLASSE 1  
 PRODUCTO DE LASER DE CLASE 1  
 クラス1レーザー製品

>PS<

## Etichette di certificazione (Per U.S.A. e Canada)

Product is certified by the manufacturer to comply with DHHS Rule 21 CFR subchapter J applicable at the date of Manufacture.

Manufactured: **TS**

**TOSHIBA TEC CORPORATION**  
 1-11-1, OSAKI, SHINAGAWA-KU, TOKYO, 141-8562, JAPAN

## Etichetta di avvertenza



>PS<

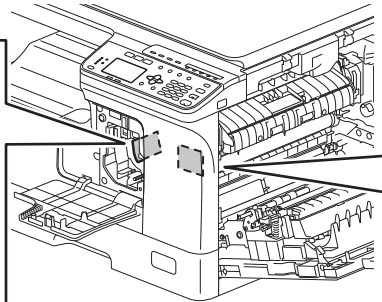
危険-ドラムユニットを外したり光学ユニットを開けたときトアスイッチを無効にするクラス3Bの不可視レーザー放射の恐れあり。ビームの直接曝露を避けよ。

DANGER-CLASS 3B INVISIBLE LASER RADIATION WHEN OPTICAL UNIT OPEN OR DRUM UNIT REMOVED AND INTERLOCK DEFEATED. AVOID DIRECT EXPOSURE TO BEAM.

VORSICHT-KLASSE 3B UNSICHTBARE LASERSTRAHLUNG, WENN DIE ABDECKUNG GEÖFFNET ODER DIE TROMMEL ENTFERNT UND DIE VERBIEGELUNG UNWIRKSAM GEMACHT WIRD. NICHT DIREKT DEM STRAHL AUSSETZEN.

DANGER-CLASSE 3B RAYON LASER INVISIBLE LORSQUE LE BLOC OPTIQUE EST OUVERT, LE TAMBOUR PRETIRE ET LE VERROUILLAGE HORS D'USAGE. EVITER L'EXPOSITION DIRECTE AU RAYON.

PELIGRO-RADIAACION INVISIBLE DE LASER CLASE 3B CUANDO LA UNIDAD OPTICA ESTA ABIERTA O LA UNIDAD DEL CILINDRO ES RETIRADA Y CUANDO EL INTERRUPTOR DE SEGURIDAD ESTA DE SACTIVADO. EVITE EXPOSICION DIRECTA AL RAYO.



## Etichetta di avvertenza



>PS<

危険-ドラムユニットを外したり光学ユニットを開けたときトアスイッチを無効にするクラス3Bの不可視レーザー放射の恐れあり。ビームの直接曝露を避けよ。

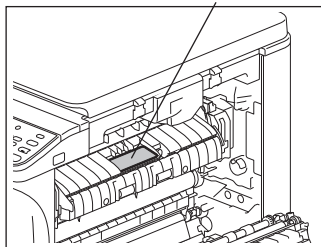
DANGER-CLASS 3B INVISIBLE LASER RADIATION WHEN OPTICAL UNIT OPEN OR DRUM UNIT REMOVED AND INTERLOCK DEFEATED. AVOID DIRECT EXPOSURE TO BEAM.

VORSICHT-KLASSE 3B UNSICHTBARE LASERSTRAHLUNG, WENN DIE ABDECKUNG GEÖFFNET ODER DIE TROMMEL ENTFERNT UND DIE VERBIEGELUNG UNWIRKSAM GEMACHT WIRD. NICHT DIREKT DEM STRAHL AUSSETZEN.

DANGER-CLASSE 3B RAYON LASER INVISIBLE LORSQUE LE BLOC OPTIQUE EST OUVERT, LE TAMBOUR PRETIRE ET LE VERROUILLAGE HORS D'USAGE. EVITER L'EXPOSITION DIRECTE AU RAYON.

PELIGRO-RADIAACION INVISIBLE DE LASER CLASE 3B CUANDO LA UNIDAD OPTICA ESTA ABIERTA O LA UNIDAD DEL CILINDRO ES RETIRADA Y CUANDO EL INTERRUPTOR DE SEGURIDAD ESTA DE SACTIVADO. EVITE EXPOSICION DIRECTA AL RAYO.

## Avvertenza di area soggetta ad alta temperatura (gruppo fusore)

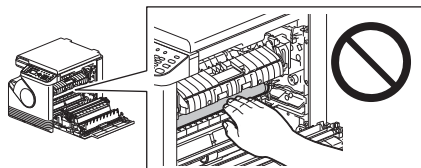




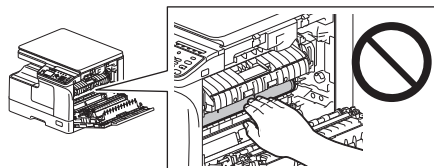
## Altre precauzioni

- Non spegnere l'interruttore se all'interno del sistema vi è della carta inceppata. La presenza di inceppamenti può causare disfunzioni alla riaccensione del sistema.
- Ricordarsi di spegnere il sistema quando si esce dall'ufficio o in presenza di un'interruzione di corrente. Non spegnere il sistema se è attivato il timer settimanale.
- L'area di uscita carta e il foglio appena consegnato dal sistema sono caldi; fare attenzione.
- Non posizionare oggetti diversi dalla carta sul vassoio di uscita. La presenza di altri oggetti può interferire con il corretto funzionamento.
- Non toccare il tamburo fotoconduttivo; si potrebbero causare problemi di formazione immagine.

e-STUDIO2802A/2802AM/2802AF



e-STUDIO2303A/2303AM/2803AM/2309A/2809A



- Non aprire/chiedere gli sportelli e il bypass e non aprire i cassetti durante la stampa.

## □ Manutenzione e controlli periodici

### ⚠ AVVERTENZA

- Non tentare mai di riparare, disassemblare o modificare da soli i sistemi. Si potrebbe prendere la scossa o causare incendi. Rivolgersi sempre al servizio di assistenza per la manutenzione o la riparazione delle parti interne dei sistemi.
- Quando si pulisce il pavimento, fare attenzione a non fare penetrare nel sistema liquidi quali acqua e olio; potrebbero provocare incendi o scosse elettriche.

### ⚠ ATTENZIONE

- Mantenere sempre pulite la spina e la presa di corrente. L'accumulo di polvere e sporcizia può deteriorare le condizioni di isolamento con conseguente rischio di incendio o di scosse elettriche.

## Altre precauzioni

- Non utilizzare solventi quali benzene o alcol per pulire le parti esterne dei sistemi.
  - Potrebbero scolorire o alterare la forma delle coperture esterne.
  - Quando si utilizza un foglio di pulizia chimico osservare le precauzioni indicate.

## □ Manipolazione dei materiali di consumo

### ⚠ ATTENZIONE

- Non smaltire nel fuoco le cartucce toner. Per lo smaltimento delle cartucce toner attenersi alle norme vigenti.

## Altre precauzioni

- Per sostituire la cartuccia toner leggere attentamente il manuale operatore e attenersi alla procedura corretta. In caso contrario si possono verificare perdite o fuoriuscite di toner.
- Non forzare l'apertura della cartuccia toner. Si possono verificare perdite o fuoriuscite di toner.

- 
- Tenere la cartuccia toner lontano dalla portata dei bambini.
  - Se si versa del toner sugli indumenti, lavare con acqua fredda. L'acqua calda non consente la rimozione della macchia dagli abiti.
  - In caso di perdita di toner dalla cartuccia, prestare attenzione a non inalare o toccarlo.

#### **Misure di primo soccorso**

Se si inala o tocca il toner, attenersi alle seguenti istruzioni.

- Inalazione: Abbandonare immediatamente il luogo di esposizione al toner per respirare aria fresca. In caso di difficoltà respiratorie o altri disturbi, contattare un medico.
- Contatto con la pelle: Lavare con acqua e sapone. Lavare gli indumenti prima di indossarli di nuovo. In caso di irritazione persistente, contattare un medico.
- Contatto con gli occhi: Sciacquare immediatamente gli occhi con abbondante acqua per almeno 15 minuti. Se l'irritazione persiste, contattare un medico.
- Ingestione: Neutralizzare il contenuto dello stomaco bevendo molta acqua.

## ■ Informazioni sull'ambiente

### □ Programma ENERGY STAR®

Quale membro del programma internazionale ENERGY STAR, Toshiba Tec Corporation appone il logo ENERGY STAR su tutti i suoi prodotti che rispondono ai requisiti del programma.



Il programma ENERGY STAR è volto a promuovere e diffondere l'utilizzo di tecnologie di risparmio energetico che rispondono alle esigenze ambientali e prevengono problemi quali il riscaldamento del globo. I fabbricanti che aderiscono a questo programma possono apporre il logo ENERGY STAR sui loro prodotti purché confermino di rispettare i requisiti di risparmio energetico previsti dal programma. Questo logo e queste linee guida sono utilizzati anche dall'agenzia USA per la protezione ambientale (EPA) e dai paesi che vi aderiscono.

Il programma può non includere prodotti, paesi o regioni specifici.

Per sapere se un prodotto rispetta i requisiti del programma ENERGY STAR, verificare la presenza del corrispondente logo.

Per maggiori informazioni, contattare il rappresentante Toshiba di fiducia.

# Zasady bezpieczeństwa

## ■ Wstęp

Dziękujemy za zakup wielofunkcyjnego systemu cyfrowego Toshiba. W podręczniku ZASADY BEZPIECZEŃSTWA opisano niezbędne środki ostrożności związane z korzystaniem z wielofunkcyjnego systemu cyfrowego TOSHIBA. Aby zapewnić maksymalne bezpieczeństwo, przed rozpoczęciem użytkowania urządzenia należy zapoznać się z treścią tej broszury. Niektóre modele są dostępne tylko w wybranych regionach.

W poniższej tabeli przedstawiono zestawienie nazw modeli uwidoczniionych na przedniej pokrywie oraz na etykiecie informacyjnej.

Nazwa modelu na przedniej pokrywie	Nazwa modelu na etykiecie informacyjnej
e-STUDIO2802A/2802AM/2802AF	DP-2802A/2802AM/2802AF
e-STUDIO2303A	DP-2303A
e-STUDIO2303AM/2803AM	DP-2303AM/2803AM
e-STUDIO2309A/2809A	DP-2309A/2809A

Jeżeli nazwa modelu została wymieniona w nawiasie obok informacji, oznacza to, że jej treść dotyczy tego modelu. W przeciwnym razie dotyczy wszystkich wymienionych wyżej modeli. Przykład:

**e-STUDIO2309A/2809A:** Ta uwaga dotyczy modelu e-STUDIO2309A/2809A.

## □ Znaki towarowe

Pozostałe nazwy firm oraz produktów, wymienione w tym podręczniku oraz wyświetlane w oprogramowaniu, mogą być znakami towarowymi właściwych firm.

## □ Wyłączenie odpowiedzialności

Przedstawione poniżej informacje określają wyłączenia i ograniczenia odpowiedzialności firmy TOSHIBA TEC CORPORATION (w tym jej pracowników, przedstawicieli i podwykonawców) wobec każdego nabywcy i użytkownika (zwanego dalej „Użytkownikiem”) urządzenia e-STUDIO2802A/2802AM/2802AF, e-STUDIO2303A, e-STUDIO2303AM/2803AM lub e-STUDIO2309A/2809A, łącznie z jego akcesoriami, wyposażeniem opcjonalnym i dołączonym oprogramowaniem (zwanymi dalej „produktem”).

1. Wyłączenia i ograniczenia odpowiedzialności, o których mowa w niniejszej informacji, obowiązują w pełnym prawnie dopuszczalnym zakresie. W celu uniknięcia wątpliwości żadne postanowienie niniejszego ograniczenia nie powoduje wyłączenia ani ograniczenia odpowiedzialności firmy TOSHIBA TEC CORPORATION za śmierć lub uszkodzenie ciała spowodowane przez zaniedbanie po stronie firmy TOSHIBA TEC CORPORATION bądź rozmyślne wprowadzenie w błąd przez firmę TOSHIBA TEC CORPORATION.
2. Wszelkie gwarancje, warunki i inne zasady wynikające z przepisów prawa zostają wyłączone w dopuszczalnie najpełniejszym prawnie zakresie. Nie udziela się żadnych domniemych gwarancji i nie obowiązują one w odniesieniu do Produktów.

PL

- 
3. Firma TOSHIBA TEC CORPORATION nie ponosi odpowiedzialności za żadne straty, koszty, wydatki, roszczenia ani odszkodowania wynikające z dowolnej przyczyny wymienionej poniżej:
- (a) używania Produktu lub postępowania z nim w sposób inny niż w zgodzie z podręcznikami, w tym między innymi z podręcznikiem operatora, podręcznikiem użytkownika i/lub nieprawidłowego bądź nieuważnego używania Produktu;
  - (b) dowolnej przyczyny uniemożliwiającej działanie Produktu, wynikającej z działań, zaniedbań, zdarzeń lub wypadków będących poza uzasadnioną kontrolą firmy TOSHIBA TEC CORPORATION, lub przez nią niezawinione, w tym między innymi wypadków losowych, wojny, zamieszek, rozruchów, złośliwego lub rozmyślnego uszkodzenia, pożaru, powodzi, burzy, klęski żywiołowej, trzęsień ziemi, nieprawidłowego napięcia lub innych katastrof;
  - (c) rozbudowywania, modyfikacji, demontażu, transportu lub napraw przeprowadzanych przez osoby inne niż technicy serwisowi autoryzowani przez firmę TOSHIBA TEC CORPORATION;
  - (d) używania papieru, materiałów eksploatacyjnych lub części innych niż zalecane przez firmę TOSHIBA TEC CORPORATION.
4. Z zastrzeżeniem akapitu 1, firma TOSHIBA TEC CORPORATION nie ponosi odpowiedzialności wobec Klienta za:
- (a) utratę zysków, utratę sprzedaży lub obrotów, utratę lub uszczerbek na reputacji, straty produkcyjne, utratę oczekiwanych oszczędności, utratę wartości firmy lub możliwości biznesowych, utratę klientów, utratę oprogramowania lub danych lub utratę możliwości ich używania, straty wynikające z kontraktu lub w związku z kontraktem;
  - lub
  - (b) jakiegokolwiek straty lub szkody szczególne, przypadkowe, wtórne lub pośrednie, koszty, wydatki, straty finansowe lub roszczenia o odszkodowanie za szkody wtórne;

jakiegokolwiek i w jakikolwiek sposób spowodowane, wynikające z Produktu, używania Produktu lub postępowania z Produktem lub w związku z nim, nawet jeżeli firma TOSHIBA TEC CORPORATION została poinformowana o możliwości wystąpienia takich szkód.

Firma TOSHIBA TEC CORPORATION nie ponosi odpowiedzialności za żadne straty, szkody, koszty, wydatki, roszczenia ani odszkodowania, wynikające z braku umiejętności używania (w tym między innymi awarie, zawieszenia, infekcje wirusowe lub inne problemy) w związku z używaniem produktu ze sprzętem, towarem lub oprogramowaniem, którego firma TOSHIBA TEC CORPORATION nie dostarczyła pośrednio ani bezpośrednio.

## ■ UMOWA LICENCYJNA UŻYTKOWNIKA OPROGRAMOWANIA

ZAINSTALOWANIE LUB JAKIEKOLWIEK INNE UŻYCIĘ TEGO OPROGRAMOWANIA OZNACZA AKCEPTACJĘ PONIŻSZYCH WARUNKÓW (O ILE DOSTAWCA DANEGO OPROGRAMOWANIA NIE DOSTARCZYŁ ODDZIELNEJ UMOWY LICENCYJNEJ, GDYŻ W TAKIM WYPADKU ZASTOSOWANIE MA TA ODDZIELNA UMOWA LICENCYJNA). JEŻELI UŻYTKOWNIK NIE AKCEPTUJE TYCH WARUNKÓW, NIE POWINIEN INSTALOWAĆ ANI UŻYWAĆ TEGO OPROGRAMOWANIA I POWINIEN NATYCHMIAST ZWRÓCIĆ JE DO MIEJSCA, W KTÓRYM JE UZYSKAŁ.

---

## **PRYZNANIE LICENCJI:**

Niniejszy dokument jest umową prawną pomiędzy użytkownikiem końcowym („Użytkownik”) a firmą TOSHIBA TEC Corporation („TTEC”). Przyznawana jest licencja na użytkowanie tego oprogramowania, czcionek (włącznie z ich krojami) oraz powiązanej dokumentacji („Oprogramowanie”) z urządzeniem wielofunkcyjnym TTEC, na którym są one zainstalowane („System”), zgodnie z warunkami przedstawionymi w tej umowie. Oprogramowanie jest prawnie zastrzeżone, a wszelkie prawa autorskie i inne prawa własności intelektualnej, prawa do tytułu i własności Oprogramowania należą do firmy TTEC i jej dostawców. Firma TTEC oraz jej dostawcy zrzekają się odpowiedzialności za instalację lub/i używanie tego Oprogramowania oraz wyniki używania tego Oprogramowania. Użytkownik może używać jednej kopii Oprogramowania, zainstalowanej na jednym Systemie, i nie może kopiować Oprogramowania z żadnego powodu, z wyjątkiem sytuacji, gdy jest to potrzebne do używania go na pojedynczym Systemie. Wszelkie kopie Oprogramowania podlegają warunkom tej umowy licencyjnej. Użytkownik nie może modyfikować, dostosowywać, łączyć, tłumaczyć, dekompilować, rozkładać ani poddawać programowaniu wstecznemu Oprogramowania, ani zezwalać na wykonanie tych czynności przez stronę trzecią. Oprogramowania można używać wyłącznie w sposób określony w tej umowie licencyjnej. Użytkownik nie zyskuje żadnego tytułu prawnego do własności intelektualnej zawartej w Oprogramowaniu, a pełne prawa własności zachowuje firma TTEC i jej dostawcy. Użytkownik nie uzyskuje licencji na kod źródłowy Oprogramowania. Nie jest dozwolone modyfikowanie, usuwanie itp. informacji o prawach autorskich do Oprogramowania (w tym w jego duplikatach). Użytkownik jest prawnie odpowiedzialny za naruszenie praw autorskich, nieautoryzowany transfer, odtworzenie lub użycie Oprogramowania.

## **WARUNKI:**

Ta Umowa licencyjna obowiązuje aż do jej wypowiedzenia przez TTEC lub niespełnienia dowolnego z jej warunków przez Użytkownika. Po rozwiązaniu umowy Użytkownik zobowiązuje się do zniszczenia wszystkich kopii Oprogramowania. Użytkownik może rozwiązać tę Umowę w dowolnym momencie, niszcząc Oprogramowanie oraz wszystkie jego kopie.

## **WYŁĄCZENIE ODPOWIEDZIALNOŚCI Z TYTUŁU GWARANCJI:**

Oprogramowanie jest dostarczane „W STANIE, W JAKIM SIĘ ZNAJDUJE”, bez jakiegokolwiek gwarancji, wyraźnej lub domniemanej, w tym w szczególności, gwarancji wartości handlowej, przydatności do określonego celu, gwarancji własności i nienaruszalności praw patentowych. Firma TTEC zrzeka się wszelkich roszczeń gwarancyjnych dotyczących jakości i działania Oprogramowania. Jeśli Oprogramowanie okaże się wadliwe, to Użytkownik, a nie firma TTEC ani jej dostawcy, ponosi wszystkie koszty jego serwisowania, naprawy lub regulacji. Firma TTEC nie gwarantuje, że funkcje Oprogramowania będą spełniały oczekiwania Użytkownika, ani nie gwarantuje nieprzerwanego i wolnego od błędów działania Oprogramowania.

## **AKTUALIZACJE I ZAKOŃCZENIE ROZWOJU:**

Firma TTEC może bez ograniczeń wydawać aktualizacje i nowe wersje Oprogramowania lub zakończyć jego wspieranie.

## **OPROGRAMOWANIE FIRM TRZECICH:**

W niektórych przypadkach oprogramowanie firm trzecich stanowi część Oprogramowania (dotyczy to też przyszłych aktualizacji Oprogramowania oraz jego nowych wersji). Użytkowanie takiego oprogramowania firm trzecich podlega innym warunkom niż te zdefiniowane w niniejszej Umowie licencyjnej i określone jest w umowie licencyjnej pomiędzy Użytkownikiem i firmą trzecią dostarczającą takie oprogramowanie lub w plikach readme (lub plikach podobnych do plików readme) stanowiących odrębne od niniejszej Umowy licencyjnej dokumenty („Odrębne umowy itp.”). Korzystając z oprogramowania firm trzecich, Użytkownik zobowiązany jest postępować zgodnie z postanowieniami Odrębnych umów itp. zawartych z firmami trzecimi. Poza koniecznością przestrzegania postanowień umowy z firmami trzecimi Użytkownik zobowiązany jest do postępowania zgodnie z postanowieniami niniejszej Umowy licencyjnej.

---

## **OGRANICZENIE ODPOWIEDZIALNOŚCI:**

W ŻADNYM WYPADKU FIRMA TTEC ANI JEJ DOSTAWCY NIE SĄ ODPOWIEDZIALNI WZGLĘDEM UŻYTKOWNIKA ZA ŻADNE SZKODY, PRZEWIDZIANE UMOWĄ, NIEDOZWOLONE DZIAŁANIA ANI INNE (z wyjątkiem obrażeń ciała lub śmierci, spowodowanych zaniedbaniem ze strony firmy TTEC lub jej dostawców), W TYM MIĘDZY INNYMI WSZELKIE UTRATY ZYSKÓW, UTRACONE DANE, UTRACONE OSZCZĘDNOŚCI ANI INNE SZKODY WYPADKOWE, SPECJALNE ANI WYNIKOWE, WYNIKAJĄCE Z UŻYCIA LUB NIEMOŻNOŚCI UŻYCIA NINIEJSZEGO OPROGRAMOWANIA, NAWET JEŚLI FIRMA TTEC LUB JEJ DOSTAWCY ZOSTALI POWIADOMIENI O MOŻLIWOŚCI WYSTĄPIENIA TAKICH SZKÓD, ANI TEŻ ZA ROSZCZENIA STRON TRZECICH.

## **OGRANICZONE PRAWA RZĄDU STANÓW ZJEDNOCZONYCH:**

Oprogramowanie jest udostępniane z OGRANICZONYMI PRAWAMI. Wykorzystanie, powielenie lub udostępnienie przez rząd Stanów Zjednoczonych informacji z nim związanych podlega ograniczeniom określonym w punkcie (b)(3)(ii) lub (c)(i)(ii) klauzuli 252.227-7013 prawa o danych technicznych i oprogramowaniu komputerowym lub klauzuli 52.227-19 (c)(2) regulacji DOD FAR.

## **INFORMACJE OGÓLNE:**

Użytkownik nie może udzielać podlicencji, wynajmować, dzierżawić, cedować ani przekazywać licencji na Oprogramowanie. Żadna próba udzielania podlicencji, wynajmowania, dzierżawienia, cedowania lub przekazywania jakichkolwiek praw lub obowiązków wynikających z niniejszej Umowy nie będzie miała mocy prawnej. Użytkownik zgadza się, że nie ma zamiaru ani nie będzie dostarczał, przysyłał, eksportował ani reeksportował (w sposób bezpośredni ani pośredni) Oprogramowania, w tym jego kopii lub danych technicznych zawartych w samym Oprogramowaniu lub na jego nośnikach, ani żadnego jego produktu do krajów objętych stosownym zakazem przez rząd Japonii, Stanów Zjednoczonych i stosownego kraju. Niniejsza umowa licencyjna będzie regulowana przepisami obowiązującymi w Japonii lub kraju, który wybierany jest przez odpowiedniego Dostawcę firmy TTEC, będącego stroną w sporze wynikającym lub dotyczącym tej umowy licencyjnej. Jeżeli jakkolwiek część niniejszej Umowy zostanie uznana za nieważną lub niewiążącą, pozostałe postanowienia niniejszej Umowy nadal obowiązują.

UŻYTKOWNIK STWIERDZA, ŻE ZAPOZNAŁ SIĘ Z TREŚCIĄ NINIEJSZEJ UMOWY I ROZUMIE JEJ POSTANOWIENIA. ZOBOWIĄDUJE SIĘ TEŻ DO PRZESTRZEGANIA ZAWARTYCH W NIEJ WARUNKÓW. UŻYTKOWNIK ZGADZA SIĘ RÓWNIEŻ, IŻ NINIEJSZA UMOWA STANOWI PEŁNE I WYŁĄCZNE POROZUMIENIE MIĘDZY UŻYTKOWNIKIEM A FIRMA TTEC I JEJ DOSTAWCAMI ORAZ, ŻE ZASTĘPUJE ONA WSZYSTKIE PROPOZYCJE LUB WCZEŚNIEJSZE UMOWY, USTNE LUB PISEMNE, A TAKŻE WSZELKIE INNE POROZUMIENIA DOTYCZĄCE PRZEDMIOTU NINIEJSZEJ UMOWY LICENCYJNEJ.

Producentem jest firma TOSHIBA TEC Corporation, 1-11-1, Osaki, Shinagawa-ku, Tokio, 141-8562, Japan.

## **■ Środki ostrożności dotyczące zabezpieczeń**

Aby poprawnie korzystać z funkcji zabezpieczeń tego urządzenia, należy najpierw dokładnie zapoznać się z poniższymi środkami ostrożności. Do zarządzania i obsługi urządzenia należy przydzielić administratorów, którzy są w stanie zarządzać nim odpowiedzialnie, ponieważ przyznany im zakres uprawnień będzie znaczący.

---

## ☐ Zalecenia dla administratorów

- Aby uniknąć problemów z bezpieczeństwem fizycznym, takich jak kradzież podzespołów lub nieprawidłowy demontaż na miejscu instalacji, należy przedsięwziąć wszelkie niezbędne środki ostrożności, takie jak kontrola wejść i wyjść.
- (Tylko e-STUDIO2802A/2802AM/2802AF, e-STUDIO2303AM/2803AM i e-STUDIO2309A/2809A) Podłączając urządzenie do sieci zewnętrznej, takiej jak Internet, należy zapewnić środowisko sieciowe chronione zaporą itd., aby zapobiec wyciekowi informacji spowodowanemu przez nieprawidłowe ustawienia lub niedozwolonemu dostępowi przez nieupoważnionych użytkowników.
- (Tylko e-STUDIO2802A/2802AM/2802AF, e-STUDIO2303AM/2803AM i e-STUDIO2309A/2809A) Aby zapobiec nieprawidłowym zmianom ustawień lub podobnym działaniom, przed oddaniem urządzenia do eksploatacji należy zmienić fabryczne hasło administratora. Należy również wdrożyć procedurę okresowej zmiany zestawu haseł dostępu do urządzenia.
- (Tylko e-STUDIO2802A/2802AM/2802AF, e-STUDIO2303AM/2803AM i e-STUDIO2309A/2809A) Aby prawidłowo korzystać z funkcji sieciowych urządzenia oraz funkcji zarządzania departamentami, należy zapoznać się z dokumentem TopAccess Guide.  
(Tylko e-STUDIO2303A) Aby prawidłowo korzystać z funkcji zarządzania departamentami, należy zapoznać się z Podręcznikiem użytkownika.
- Zapoznać się z zasadami i procedurami zabezpieczeń obowiązującymi w organizacji, stosując je do zarządzania i obsługi tego urządzenia, po uprzednim zapoznaniu się z podręcznikiem operatora. Instrukcje związane z bezpieczeństwem i zabezpieczeniami należy następnie wyjaśnić użytkownikom upoważnionym do korzystania z tego urządzenia, aby mogli się do nich stosować.
- Przydzielić użytkownikom uprawnienia niezbędne do korzystania z tego urządzenia, a także regularnie sprawdzać prawidłowe działanie urządzenia.
- (Tylko e-STUDIO2802A/2802AM/2802AF, e-STUDIO2303AM/2803AM i e-STUDIO2309A/2809A) Aby zapewnić odpowiedni poziom zabezpieczeń, zawsze należy sprawdzać, czy funkcje sieciowe lub funkcja zarządzania departamentami są włączone. W razie wykrycia jakichkolwiek nieprawidłowości niezwłocznie skontaktować się z technikiem serwisowym. Więcej informacji na temat metody sprawdzania można znaleźć w podręczniku TopAccess Guide i Podręczniku użytkownika.  
(Tylko e-STUDIO2303A) Aby zapewnić odpowiedni poziom zabezpieczeń, zawsze należy sprawdzać, czy funkcja zarządzania departamentami jest włączona. W razie wykrycia jakichkolwiek nieprawidłowości niezwłocznie skontaktować się z technikiem serwisowym. Więcej informacji na temat metody sprawdzania można znaleźć w Podręczniku użytkownika.

## ☐ Zalecenia dla użytkowników

- Po zakończeniu korzystania z urządzenia należy pamiętać o usunięciu wszystkich oryginałów, wydruków i urządzeń pamięci USB.
- (Tylko e-STUDIO2802A/2802AM/2802AF, e-STUDIO2303AM/2803AM i e-STUDIO2309A/2809A) Hasło należy zmieniać regularnie. Nie używać łatwego do odgadnięcia numeru, takiego jak data urodzenia lub identyfikator pracownika. Hasła nie wolno ujawniać innym osobom.
- Podczas realizacji zadania nie wolno zostawiać urządzenia bez nadzoru, ponieważ inne osoby mogą przejąć oryginały lub zabrać wydruki.

## ■ Informacja dla użytkowników

Po wybraniu odpowiedniego miejsca do instalacji urządzenia e-STUDIO2802A/2802AM/2802AF, e-STUDIO2303A, e-STUDIO2303AM/2803AM lub e-STUDIO2309A/2809A nie należy go zmieniać. Należy unikać skrajnych temperatur, pyłu, drgań i bezpośredniego światła słonecznego. Zapewnić również odpowiednią wentylację, ponieważ kopiarka emituje niewielką ilość ozonu.

Zgodnie z normą IEC60825-1:2007 z późniejszymi zmianami urządzenie uznano za produkt laserowy klasy 1.

W urządzeniu wykorzystano diody laserowe o mocy wyjściowej maks. 10 mW, długości fali 785 nm, pulsacji 1,25 µs.

### **PRZESTROGA**

Stosowanie przyrządów, przeprowadzanie regulacji oraz wykonywanie procedur innych niż określone w niniejszym podręczniku może spowodować narażenie na działanie szkodliwego promieniowania.

### **OSTRZEŻENIE**

Produkt klasy A. W warunkach domowych produkt może wywoływać zakłócenia radiowe i w takiej sytuacji użytkownik może być zobowiązany do zastosowania odpowiednich środków.



Oznacza, że produkt tak oznaczony korzysta z lasera, przez co stanowi potencjalne zagrożenie dla oczu i może spowodować uszkodzenia narządu optycznego oraz/lub poparzenia skóry. Należy postępować zgodnie z zaleceniami bezpieczeństwa opisanymi w pobliżu tego oznaczenia.



Oznacza, że miejsca tak oznaczone mają wysoką temperaturę, przez co stanowią potencjalne zagrożenie i mogą spowodować poparzenia skóry oraz/lub inne typowe uszkodzenia. Nie należy dotykać tak oznaczonych miejsc ani obszarów w ich pobliżu.

### **Dotyczy tylko obszaru Stanów Zjednoczonych**

#### **DEKLARACJA FCC**

To urządzenie przebadano pod kątem zgodności z ograniczeniami urządzeń cyfrowych klasy A, zgodnie z częścią 15 zasad FCC. Ograniczenia te ustalono w celu zabezpieczenia przed szkodliwymi zakłóceniami podczas korzystania z urządzenia w otoczeniu komercyjnym. Urządzenie to generuje, wykorzystuje i może emitować energię w postaci promieniowania radiowego, a w przypadku instalacji lub stosowania niezgodnego z instrukcją obsługi może zakłócać komunikację radiową. W warunkach domowych produkt może wywoływać zakłócenia radiowe i w takiej sytuacji użytkownik musi je wyeliminować na własny koszt.

#### **OSTRZEŻENIE**

Wszelkie zmiany lub modyfikacje, które nie zostały wyraźnie zaakceptowane przez firmę TOSHIBA TEC lub firmy upoważnione przez firmę TOSHIBA TEC, mogą spowodować unieważnienie prawa do korzystania z tego sprzętu.



### **Bezpieczeństwo użytkownika**

Wielofunkcyjny system cyfrowy TOSHIBA nie wytwarza promieniowania laserowego, które jest niebezpieczne dla użytkownika. Urządzenie zostało sklasyfikowane jako urządzenie laserowe klasy 1 zgodnie z normą dotyczącą działania urządzeń RTG Departamentu Zdrowia i Opieki Społecznej Stanów Zjednoczonych (U.S Department of Health and Human Services (DHHS)) i zgodnie z ustawą o ochronie zdrowia i bezpieczeństwie z 1968 roku wraz z poprawkami.

Obudowa ochronna oraz pokrywy zewnętrzne zapewniają całkowitą ochronę przed wiązką światła laserowego, emitowaną przez wielofunkcyjny system cyfrowy. Wiązka światła laserowego nie może wydostać się z urządzenia w żadnej fazie obsługiwanego go przez użytkownika.

Regulacje wprowadzone 2 sierpnia 1976 roku przez Biuro Zdrowia Radiologicznego (Bureau of Radiological Health (BRH)) Agencji ds. Żywności i Leków (U.S Food and Drug Administration) dotyczą produktów laserowych wyprodukowanych po 1 sierpnia 1976 roku. Produkty laserowe sprzedawane w Stanach Zjednoczonych muszą być zgodne z tymi regulacjami.

### **PRZESTROGA**

Stosowanie przyrządów, przeprowadzanie regulacji oraz wykonywanie procedur innych niż określone w niniejszym podręczniku może spowodować narażenie na działanie szkodliwego promieniowania.

## **Dotyczy obszaru Stanów Zjednoczonych i Kanady**

### **Informacje o zgodności z normami**

Firma Toshiba chroni środowisko naturalne, sponsorując Call2Recycle, program organizacji Rechargeable Battery Recycling Corporation. Więcej informacji na ten temat oraz wykaz punktów zbiórek można znaleźć na stronie [www.rbrc.org](http://www.rbrc.org) lub uzyskać pod numerem telefonu 1-800-822-8837.

Informacje dotyczące baterii pastylkowych CR, obowiązujące wyłącznie w stanie Kalifornia, Stany Zjednoczone: zawiera nadchlorany — mogą mieć zastosowanie specjalne procedury obsługi.

Patrz: <http://www.dtsc.ca.gov/hazardouswaste/perchlorate/>

### **California Proposition 65: Tylko USA-Kalifornia**

Produkt zawiera substancje chemiczne, które stan Kalifornia uznaje za powodujące raka, uszkodzenia płodu i w inny sposób wpływające szkodliwie na rozrodczość.

### **OSTRZEŻENIE**

Produkt może narażać osoby go używające na działanie ftalantów, które stan Kalifornia uznaje za powodujące raka, uszkodzenia płodu i w inny sposób wpływające szkodliwie na rozrodczość. Więcej informacji można znaleźć na stronie [www.P65Warnings.ca.gov/product](http://www.P65Warnings.ca.gov/product).

## **Dotyczy tylko obszaru Kanady**

Niniejsze urządzenie cyfrowe klasy A jest zgodne z kanadyjską normą ICES-003. Cet appareil numérique de la classe A est conforme la norme NMB-003 du Canada.

PL

## Dotyczy tylko obszaru Unii Europejskiej

### Warunki pracy

Zgodnie z dyrektywą EMC (dyrektywa dotycząca kompatybilności elektromagnetycznej) używanie tego produktu jest ograniczone w następujących warunkach:

- Środowiska medyczne: Produkt nie jest zatwierdzony jako produkt medyczny według dyrektywy 93/42/EWG dotyczącej wyrobów medycznych.
- Warunki domowe (np. w prywatnym salonie z odbiornikiem telewizyjnym/radiowym w pobliżu), ponieważ urządzenie jest produktem EMC klasy A. W warunkach domowych produkt może wywoływać zakłócenia radiowe i w takiej sytuacji użytkownik może być zobowiązany do zastosowania odpowiednich środków.

Firma TOSHIBA TEC nie odpowiada za żadne skutki wynikające z używania niniejszego produktu w ograniczonych warunkach.

Używanie tego produktu w warunkach ograniczonych może powodować zakłócenia elektromagnetyczne w innych urządzeniach i maszynach znajdujących się w pobliżu. Może to skutkować nieprawidłowym działaniem, w tym utratą danych/błędnyimi danymi w tym produkcie lub innych urządzeniach/maszynach dotkniętych zakłóceniami elektromagnetycznymi.

Oprócz tego z uwagi na ogólne bezpieczeństwo zabrania się używania tego produktu w warunkach występowania atmosfer wybuchowych.

### Zgodność CE

Niniejszy produkt jest opatrzony znakiem CE zgodnie z postanowieniami obowiązujących dyrektyw europejskich, tj. dyrektywy niskiego napięcia 2006/95/WE (przed 2016-04-20), 2014/35/UE (po 2016-04-20), dyrektywy kompatybilności elektromagnetycznej 2004/108/WE (przed 2016-04-20), 2014/30/UE (po 2016-04-20), dyrektywy RoHS 2011/65/UE w odniesieniu do tego urządzenia i akcesoriów elektrycznych, dyrektywy 1999/5/WE w sprawie urządzeń radiowych i końcowych urządzeń telekomunikacyjnych w odniesieniu do akcesoriów telekomunikacyjnych.

Za oznaczenie CE odpowiada firma TOSHIBA TEC GERMANY IMAGING SYSTEMS GmbH, Carl-Schurz-Str. 7, 41460 Neuss, Niemcy, tel. +49-(0)-2131-1245-0.

Aby otrzymać kopię właściwej deklaracji zgodności CE, należy skontaktować się z przedstawicielem handlowym lub firmą TOSHIBA TEC.

### Ostrzeżenie:

Produkt klasy A. W warunkach domowych produkt może wywoływać zakłócenia radiowe i w takiej sytuacji użytkownik może być zobowiązany do zastosowania odpowiednich środków.

Niniejsza informacja dotyczy wyłącznie państw członkowskich UE:



Produkt jest oznaczony zgodnie z wymaganiami dyrektywy UE dotyczącej pozbywania się urządzeń elektrycznych i elektronicznych – WEEE.

Użyty symbol oznacza, że tego produktu nie wolno usuwać w postaci nieposegregowanych odpadów komunalnych i należy go poddać osobnej utylizacji. Dbając o prawidłową utylizację produktu, przyczyniasz się do zapobiegania potencjalnym negatywnym skutkom dla środowiska i zdrowia ludzi, które mogłyby być wywołane przez nieprawidłowe postępowanie z odpadami z tego produktu.

Szczegółowe informacje o zwrocie i recyklingu tego produktu można uzyskać od dostawcy, od którego produkt został nabyty.

Niniejsza informacja dotyczy wyłącznie państw członkowskich UE:



Pozbywanie się baterii i akumulatorów zgodnie z dyrektywą UE dotyczącą baterii i akumulatorów oraz pozbywania się baterii i akumulatorów.

Dbając o prawidłową utylizację baterii i/lub akumulatorów, przyczyniasz się do zapobiegania potencjalnym negatywnym skutkom dla środowiska i zdrowia ludzi, które w przeciwnym razie mogłyby powstać przez nieprawidłowe postępowanie z odpadami z tego produktu. Szczegółowe informacje o zwrocie i recyklingu baterii i/lub akumulatorów można uzyskać od dostawcy, od którego produkt został nabyty.

Urządzenie nie jest przeznaczone do stosowania w polu widzenia w miejscu pracy z monitorami ekranowymi.

Aby uniknąć powstawania przeszkadzających refleksów w miejscu pracy z monitorami ekranowymi urządzenie należy ustawiać poza bezpośrednim polem widzenia.

### Tylko Indie

Niniejsza informacja dotyczy wyłącznie Indii:



Użyty symbol oznacza, że tego produktu nie wolno usuwać wraz z odpadami z gospodarstwa domowego. Dbając o prawidłową utylizację produktu, przyczyniasz się do zapobiegania potencjalnym negatywnym skutkom dla środowiska i zdrowia ludzi, które mogłyby być wywołane przez nieprawidłowe postępowanie z odpadami z tego produktu.

Szczegółowe informacje o zwrocie i recyklingu tego produktu można uzyskać od dostawcy, od którego produkt został nabyty.

### Tylko Argentyna

Niniejsza informacja dotyczy wyłącznie prowincji Buenos Aires w Argentynie:



La siguiente información es solo para Argentina

El uso de este símbolo indica que este producto no puede ser tratado como residuos domésticos.

Asegúrese que este producto se deseche correctamente, Usted ayudara a evitar posibles consecuencias negativas para el medio ambiente y la salud humana, que podrían derivarse de la incorrecta manipulación de este producto.

Para mas información sobre el reciclaje de este producto, consulte con nuestro.



---

## Tylko Turcja

Niniejsza informacja dotyczy wyłącznie Turcji:

AEEE Yönetmeliğine Uygundur

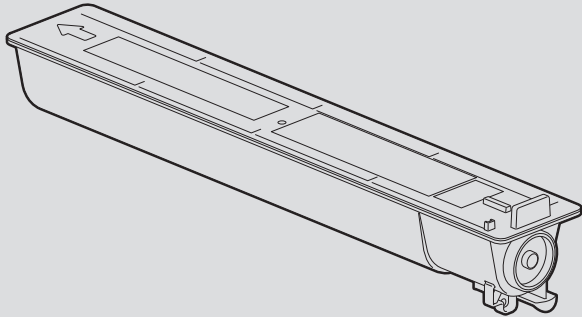
## Tylko Chiny

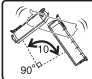




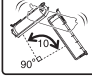

	Oznacza, że produkt tak oznaczony może być stosowany w miejscach innych niż obszary o klimacie tropikalnym w Chinach.
	Oznacza, że produkt tak oznaczony może być stosowany na obszarach na wysokości do 2000 m nad poziomem morza w Chinach.

## ■ Jakość firmy Toshiba nie ma sobie równych

Zaleca się korzystanie z oryginalnych materiałów eksploatacyjnych i części firmy Toshiba, aby zapewnić optymalną wydajność i jakość wydruków.

Poniższy rysunek przedstawia pojemnik z tonerem do urządzenia e-STUDIO2802A/2802AM/2802AF.



<p><b>TOSHIBA</b></p> <p><b>T-2802U</b></p> <p>FOR/POUR e-STUDIO2802AM/2802AF</p> <p>COMPONENTS: Polyester resin,Carbon black(1333-86-4),Wax, Organic Metal Complex,Titanium dioxide, Amorphous Silica(7631-86-9)</p>	<p><b>ORIGINAL &amp; GENUINE TOSHIBA TONER</b></p> <p>NET 338 g</p> <ul style="list-style-type: none"> <li>■ HANDLE WITH CARE.</li> <li>■ STORE IN A DRY PLACE BELOW 35°C(95°F).</li> <li>■ READ THE OPERATING INSTRUCTIONS OF THE MACHINE BEFORE USING.</li> <li>■ DO NOT TOUCH THE METAL CONTACT ON THE CIRCUIT BOARD.</li> </ul> <p><b>TOSHIBA TEC CORPORATION</b> Gate City Ohsaki West Tower, 1-11-1, Osaki, Shinagawa-ku, Tokyo, 141-8562, Japan TEL +81-3-6830-9100 MADE IN CHINA / FABRIQUE EN CHINE</p>	  <p>Patent : <a href="http://www.toshibatec.co.jp/en/patent/">http://www.toshibatec.co.jp/en/patent/</a></p>
<p><b>TOSHIBA</b></p> <p><b>T-2802E</b></p> <p>FOR/POUR/FÜR/DA/PARA e-STUDIO2802AM/2802AF</p> <p>COMPONENTS: Polyester resin,Carbon black(1333-86-4),Wax, Organic Metal Complex,Titanium dioxide, Amorphous Silica(7631-86-9)</p>	<p><b>ORIGINAL &amp; GENUINE TOSHIBA TONER</b></p> <ul style="list-style-type: none"> <li>● SHAKE WELL BEFORE USING.</li> <li>● AGITER AVANT EMPLOI.</li> <li>● VOR GEBRAUCH GUT SCHÜTTELN.</li> <li>● AGITARE BENE PRIMA DELL'USO.</li> <li>● SACUDIR BIEN ANTES DE USAR.</li> </ul> <ul style="list-style-type: none"> <li>● DO NOT TOUCH THE METAL CONTACT ON THE CIRCUIT BOARD.</li> <li>● NE PAS TOUCHER LES CONTACTS METALLIQUES DU CIRCUIT IMPRIME.</li> <li>● NON TOCCARE IL PEZZO DI METALLO NELLA SCHEDA DEI CIRCUITI.</li> <li>● DAS METALLSTÜCK AUF DER STROMKREISTAFEL NICHT BERÜHREN.</li> <li>● NO TOCAR LA PIEZA METALICA EN EL TABLERO DE CIRCUITOS.</li> </ul> <p><b>TOSHIBA TEC CORPORATION</b> Gate City Ohsaki West Tower, 1-11-1, Osaki, Shinagawa-ku, Tokyo, 141-8562, Japan TEL +81-3-6830-9100 MADE IN CHINA / FABRIQUE EN CHINE HERGESTELLT IN CHINA HECHO EN CHINA / FATTO IN CHINA</p> <p><b>CE</b> </p>	  <p>PAT. P.</p>
<p><b>TOSHIBA</b></p> <p><b>T-2802P</b></p> <p>FOR/POUR e-STUDIO2802A/2802AM/2802AF</p> <p>COMPONENTS: Polyester resin,Carbon black(1333-86-4),Wax, Organic Metal Complex,Titanium dioxide, Amorphous Silica(7631-86-9)</p>	<p><b>ORIGINAL &amp; GENUINE TOSHIBA TONER</b></p> <p>NET 338 g</p> <ul style="list-style-type: none"> <li>■ HANDLE WITH CARE.</li> <li>■ STORE IN A DRY PLACE BELOW 35°C(95°F).</li> <li>■ READ THE OPERATING INSTRUCTIONS OF THE MACHINE BEFORE USING.</li> <li>■ DO NOT TOUCH THE METAL CONTACT ON THE CIRCUIT BOARD.</li> </ul> <p><b>TOSHIBA TEC CORPORATION</b> Gate City Ohsaki West Tower, 1-11-1, Osaki, Shinagawa-ku, Tokyo, 141-8562, Japan TEL +81-3-6830-9100 MADE IN CHINA / FABRIQUE EN CHINE</p>	  <p>PAT. P.</p>

PL

---

## ☐ Materiały eksploatacyjne/części

- **Niezawodność**  
Używanie oryginalnych materiałów eksploatacyjnych, poddawanych dokładnym kontrolom, wraz z urządzeniami firmy Toshiba zapewnia najlepszą niezawodność.
- **Wysoka wydajność**  
Oryginalne materiały eksploatacyjne firmy Toshiba są produkowane z myślą o sprostaniu wymaganiom naszego konkurencyjnego świata i umożliwieniu szybkiego wykonywania kopii, kiedy są potrzebne.
- **Stabilna jakość obrazu**  
Oryginalne materiały eksploatacyjne firmy Toshiba są zaprojektowane tak, aby zapewnić spójną i stabilną jakość obrazu.
- **Materiały eksploatacyjne nieszkodliwe dla kopiarki**  
Oryginalne materiały eksploatacyjne firmy Toshiba są zaprojektowane z myślą o utrzymaniu sprawności kopiarki i wszystkich jej części. Ograniczenie zużycia urządzenia jest możliwe dzięki temu, że firma Toshiba doskonale zna charakterystykę kopiarki, dzięki czemu zagwarantowany jest najwyższy standard dbałości.
- **Idealnie dobrane materiały eksploatacyjne**  
Firma Toshiba od początku swojego istnienia tworzy materiały eksploatacyjne dopasowane do urządzeń. Gdy jest projektowane nowe urządzenie, przygotowujemy również nowy toner, przeznaczony specjalnie do tego urządzenia. Używając oryginalnych materiałów eksploatacyjnych z kopiami firmy Toshiba masz gwarancję optymalnej wydajności.

## ☐ Toner

- **Optymalna jakość obrazu**  
Toner firmy Toshiba jest produkowany z materiałów najwyższej jakości w precyzyjnie kontrolowanych warunkach, co daje gwarancję uzyskiwania z kopiarek firmy Toshiba wyraźnych odbitek o najwyższej jakości.
- **Oszczędność**  
Oryginalny toner firmy Toshiba zapewnia oszczędność. Podczas powielania używana jest właściwa ilość tonera, dzięki czemu urządzenie może działać do momentu zużycia całego tonera. W ten sposób można w pełni wykorzystać każdy pojemnik z tonerem.
- **W harmonii z otoczeniem**  
Oryginalny toner firmy Toshiba jest produkowany z uwzględnieniem ochrony środowiska. Aby chronić naszą planetę dla przyszłych pokoleń, w naszych pojemnikach z tonerem korzystamy z wytłoczonych lub plastikowych etykiet, co umożliwia ich pełny recykling. Oprócz tego zredukowaliśmy poziom pyłu i ozonu, a to zapewnia lepszy komfort pracy.
- **Nieszkodliwe dla użytkownika**  
Przed zatwierdzeniem naszych tonerów do sprzedaży testujemy je, aby mieć pewność, że spełniają najwyższe standardy ochrony zdrowia. Dzięki temu można używać tonerów bez obaw.

## ☐ Ogólne

- **Zalety serwisu i pomocy technicznej**  
Technicy serwisowi firmy Toshiba mają kwalifikacje, dzięki którym koparki będą pracować optymalnie. Aby mieć gwarancję ciągłej jakości kopii, należy korzystać z usług autoryzowanego serwisu firmy Toshiba, który będzie wykonywać przeglądy i okresową konserwację kopiarki.

---

## ■ Jak czytać niniejszy podręcznik

### □ Symbole przedstawione w podręczniku

W niniejszym podręczniku niektóre ważne informacje są oznaczone poniższymi symbolami. Przed rozpoczęciem użytkowania urządzenia należy się z nimi zapoznać.

#### **OSTRZEŻENIE**

Oznacza sytuację potencjalnie niebezpieczną, która — w razie niemożności jej uniknięcia — może prowadzić do śmierci, poważnych obrażeń, znacznych szkód, pożaru urządzenia lub przedmiotów w jego pobliżu.

#### **UWAGA**

Oznacza sytuację potencjalnie niebezpieczną, która — w razie niemożności jej uniknięcia — może prowadzić do drobnych lub umiarkowanych obrażeń, częściowego uszkodzenia urządzenia lub przedmiotów w jego pobliżu bądź utraty danych.

#### **Informacja**

Oznacza informacje, na które należy zwrócić uwagę podczas obsługi urządzenia.

Oprócz powyższych niniejszy podręcznik zawiera również informacje, które mogą okazać się przydatne przy użytkowaniu. Zostały one opatrzone następującymi znakami:

#### **Porada**

Oznacza praktyczne informacje, przydatne podczas obsługi urządzenia.



Oznacza strony z informacjami związanymi z wykonywaną czynnością. Należy przeczytać te strony w razie potrzeby.

## ■ Ogólne środki ostrożności

### □ Podczas instalacji lub przenoszenia

#### **OSTRZEŻENIE**

##### **Dotyczy obszaru Stanów Zjednoczonych i Kanady**

Wielofunkcyjny system cyfrowy wymaga zasilania elektrycznego o napięciu 120 V, natężeniu 12 A i częstotliwości 50/60 Hz.

##### **Dotyczy obszaru Unii Europejskiej**

Wielofunkcyjny system cyfrowy wymaga zasilania elektrycznego o napięciu od 220 do 240 V AC, natężeniu 8 A i częstotliwości 50/60 Hz.

##### **Dotyczy obszarów innych niż Stany Zjednoczone, Kanada i Unia Europejska**

Wielofunkcyjny system cyfrowy wymaga zasilania elektrycznego o napięciu od 220 do 240 V AC, natężeniu 8 A i częstotliwości 50/60 Hz.

- Nie należy używać zasilacza o napięciu innym niż podane. Unikać podłączania wielu urządzeń do tego samego gniazda. Może to spowodować pożar lub porażenie prądem. Jeżeli trzeba zwiększyć liczbę gniazd, należy wezwać elektryka.

PL

- Zawsze podłączać wielofunkcyjny system cyfrowy do gniazda z uziemieniem, aby uniknąć zagrożenia pożarem lub porażenia prądem elektrycznym w razie zwarcia. Szczegółowe informacje na ten temat można uzyskać u przedstawiciela serwisu. Należy używać przewodu trójżyłowego-, podłączonego do uziemionego gniazda ściennego.

W regionach poza Stanami Zjednoczonymi i Kanadą, w których stosowane są wtyczki dwubolcowe, wielofunkcyjny system cyfrowy należy uziemić. Nigdy nie należy uziemiać systemu przez podłączenie do rury z gazem, wodą lub innego przedmiotu, który nie jest odpowiedni do tego celu.

- Dobrze podłączyć kabel zasilania do gniazda. Jeżeli nie będzie podłączony prawidłowo, może się nagrzać i wywołać pożar lub porażenie prądem elektrycznym.
- Nie należy uszkadzać ani przerywać kabla zasilania; nie wolno podejmować też prób jego naprawy. Z kablem zasilania nie należy robić następujących rzeczy:
  - skręcać
  - zginać
  - rozciągać
  - kłaść na nim różnych przedmiotów
  - podgrzewać
  - umieszczać w pobliżu kaloryferów i innych źródeł ciepła

Może to spowodować pożar lub porażenie prądem. Jeżeli kabel zasilania jest uszkodzony, należy skontaktować się z przedstawicielem serwisu.

- Nie instalować urządzenia samodzielnie ani nie przenosić go po zainstalowaniu. Może to doprowadzić do poważnych obrażeń lub uszkodzenia urządzenia. W razie potrzeby zainstalowania lub przeniesienia urządzenia należy skontaktować się z przedstawicielem serwisu.
- Gniazdo powinno być łatwo dostępne i znajdować się blisko urządzenia.
- Należy wyciągać wtyczkę z gniazda częściej niż raz do roku, aby wyczyścić bolce i obszar wokół nich. Zbierający się kurz i pył może wywołać pożar ze względu na wysoką temperaturę wytwarzaną przez upływ prądu.

## UWAGA

- Unikać umieszczania urządzenia w miejscach nieprzystosowanych do jego masy. Należy upewnić się, że powierzchnia podłoża jest płaska. Należy pamiętać, że przewrócenie się urządzenia może spowodować poważne obrażenia.

Masa urządzenia:

e-STUDIO2802A: ok. 19,5 kg (43,0 lb)

e-STUDIO2802AM: ok. 24,0 kg (52,9 lb)

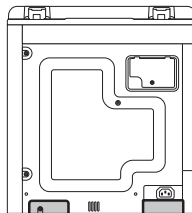
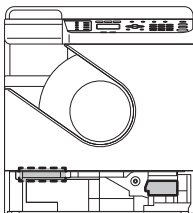
e-STUDIO2802AF: ok. 24,5 kg (54,0 lb)

e-STUDIO2303A: ok. 24,3 kg (53,6 lb)

e-STUDIO2303AM/2803AM: ok. 24,3 kg (53,6 lb)

e-STUDIO2309A/2809A: ok. 25,0 kg (55,1 lb)

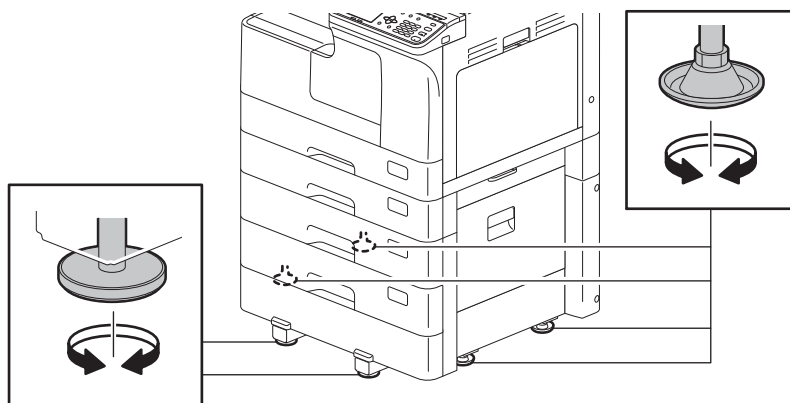
- (**e-STUDIO2802A/2802AM/2802AF**) Urządzenie powinno być przenoszone przez co najmniej dwie osoby. Podczas przenoszenia urządzenia kasecja powinna być wyciągnięta, a ręce należy umieścić w miejscach oznaczonych na poniższym rysunku. Nieprzestrzeżenie tego zalecenia może spowodować awarię urządzenia lub obrażenia.



- Wyjmując wtyczkę z gniazda, nie należy ciągnąć za kabel zasilania. Podczas wyjmowania z gniazda trzymać za wtyczkę. W przypadku pociągnięcia za kabel może dojść do rozerwania przewodów, co z kolei może wywołać pożar lub porażenie prądem elektrycznym.
- Należy upewnić się, że otwory wentylacyjne nie są zablokowane. Zbyt wysoka temperatura we wnętrzu wielofunkcyjnego systemu cyfrowego może spowodować pożar.



- Podczas podłączania kabla sieciowego do urządzenia należy pamiętać o wyłączeniu zasilania. Pozostawienie włączonego zasilania może spowodować porażenie prądem.
- (**e-STUDIO2309A/2809A**) Podstawa z podajnikiem papieru ma na spodzie 6 regulatorów (podkładki antypoślizgowe). Po przeniesieniu i zainstalowaniu urządzenia należy je obrócić i obniżyć. Następnie należy zamontować regulatory zapobiegające upadkowi urządzenia.



### ⚠ OSTRZEŻENIE

Nie instalować urządzenia samodzielnie ani nie przenosić go po zainstalowaniu. Może to doprowadzić do poważnych obrażeń lub uszkodzenia urządzenia. W razie potrzeby zainstalowania lub przeniesienia urządzenia należy skontaktować się z przedstawicielem serwisu.

### Inne uwagi

- Gniazdo powinno być łatwo dostępne i znajdować się blisko urządzenia.
- Jeżeli miejsce jest ograniczone, zbyt słaba wentylacja spowoduje awarię urządzenia, a niektóre czynności, takie jak używanie podajnika ręcznego i usuwanie zaciętego papieru, będą utrudnione. Aby zapewnić odpowiednią przestrzeń, należy zachować odstępów przedstawione w poniższej tabeli.

Odpowiednia przestrzeń		
Tył	Lewa strona	Prawa strona
20 cm (7,9 cala)	30 cm (11,8 cala)	80 cm (31,5 cala)

- Kabel zasilania ułożyć bezpiecznie, tak aby nikt się o niego nie potknął.
- Niekorzystne warunki otoczenia mogą mieć wpływ na bezpieczeństwo pracy i wydajność wielofunkcyjnego systemu cyfrowego. Może również dojść do ich awarii.
  - Unikać miejsc w pobliżu okien lub narażonych na bezpośrednie światło słoneczne.
  - Unikać miejsc o dużych wahaniami temperatury.
  - Unikać nadmiernego zapylenia.
  - Unikać miejsc narażonych na wibracje.
- Należy upewnić się, że występuje swobodny przepływ powietrza i dostateczna wentylacja. Przy niedostatecznej wentylacji będzie się nasilać nieprzyjemny zapach ozonu.

PL

## ❑ Podczas korzystania z wielofunkcyjnego systemu cyfrowego

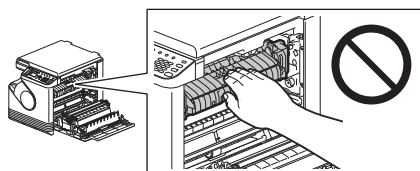
### ⚠ OSTRZEŻENIE

- Nie należy zdejmować pokrywy urządzenia, gdyż może to spowodować obrażenia ciała lub porażenie prądem elektrycznym.
- Nie należy odłączać ani podłączać wtyczki mokrymi rękami, ponieważ grozi to porażeniem.
- Nie umieszczać pojemników z płynami (wazonów z kwiatami, filiżanek kawy itp.) na urządzeniu ani w jego pobliżu.  
Może to spowodować pożar lub porażenie prądem.
- Spinacze biurowe i zszywki należy przechowywać z dala od otworu wentylacyjnego. W przeciwnym razie może to spowodować pożar lub porażenie prądem.
- Jeżeli wielofunkcyjny system cyfrowy nadmiernie się rozgrzeje bądź wydobywa się z niego dym, dziwny zapach lub dźwięki, należy wykonać czynności przedstawione poniżej.  
Przełączyć główny wyłącznik w pozycję OFF i wyjąć wtyczkę z gniazda, a następnie skontaktować się z przedstawicielem serwisu.
- Jeżeli wielofunkcyjny system cyfrowy nie będzie używany dłużej niż miesiąc, na ten czas ze względów bezpieczeństwa należy odłączyć wtyczkę od gniazda. Uszkodzenie izolacji może spowodować pożar lub porażenie prądem elektrycznym.
- Nie wolno dotykać żadnych części poza wymienionymi w Podręczniku użytkownika. Może to spowodować uszkodzenie urządzenia, porażenie elektryczne, obrażenia lub poparzenia.

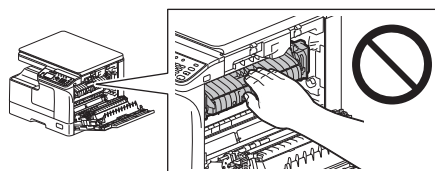
### ⚠ UWAGA

- Nie należy umieszczać ciężkich przedmiotów (4 kg / 9 funtów lub więcej) na szybie i nie naciskać jej, używając siły. Rozbitej szybie może spowodować obrażenia.
- Nie należy umieszczać na wielofunkcyjnym systemie cyfrowym ciężkich przedmiotów (4 kg / 9 funtów i więcej). Upadek przedmiotu może spowodować obrażenia.
- (**e-STUDIO2802A/2802AM/2802AF**) Podczas wyciągania lub wkładania kasy należy trzymać ją obiema rękami i zachować ostrożność, aby zapobiec upadkowi kasy. Upadek kasy może spowodować obrażenia.
- Należy uważać, aby nie przyciąć palców podczas zamykania kasy. Może to spowodować obrażenia.
- Nie dotykać zespołu utrwalającego ani metalowych części wokół niego. Ze względu na to, że są one silnie rozgrzane, istnieje zagrożenie poparzeniem, a wstrząs może doprowadzić do dodatkowych obrażeń rąk w urządzeniu.

e-STUDIO2802A/2802AM/2802AF

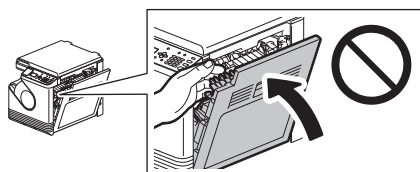


e-STUDIO2303A/2303AM/2803AM/2309A/2809A

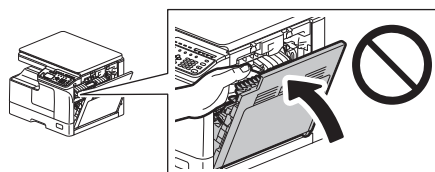


- Należy uważać, aby nie przyciąć palców między urządzeniem a pokrywą boczną. Może to spowodować obrażenia.

e-STUDIO2802A/2802AM/2802AF



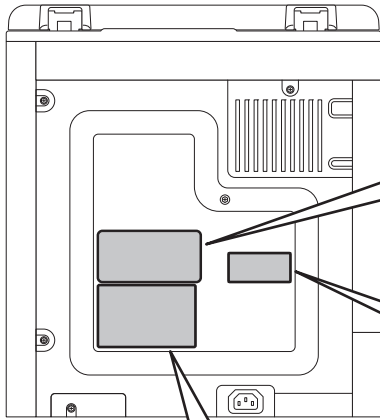
e-STUDIO2303A/2303AM/2803AM/2309A/2809A



- Otwierając lub zamykając automatyczny podajnik dokumentów, należy zachować ostrożność, aby nie przyciąć palców między jego tylną stroną a urządzeniem. Może to spowodować obrażenia.
- Nie należy używać wyciągniętych kaset jako schodów. Może to spowodować obrażenia w przypadku upadku.

# Umieszczenie etykiety certyfikacyjnej itp.

## e-STUDIO2802A/2802AM/2802AF



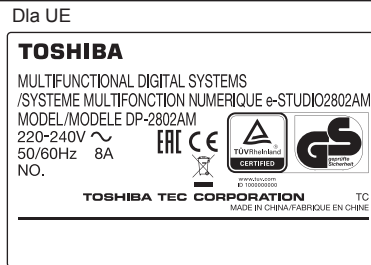
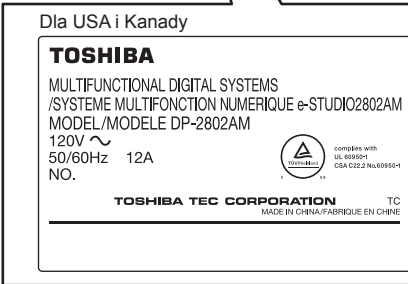
Etykieta objaśniająca



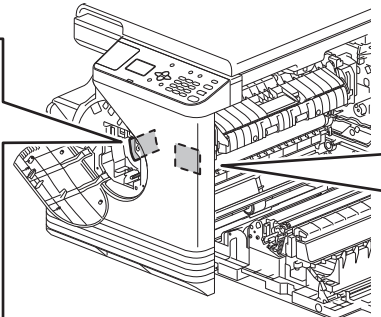
Etykieta certyfikacyjna (Dla U.S.A. i Kanady)



Etykieta identyfikacyjna



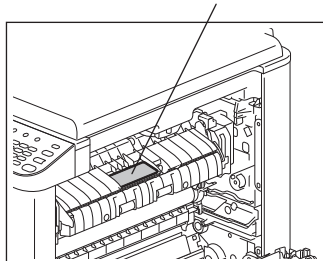
Etykieta ostrzegawcza



Etykieta ostrzegawcza



Ostrzeżenie dotyczące wysokiej temperatury (zespół utrwalający)




PL

# e-STUDIO2303A/2303AM/2803AM/2309A/2809A

## Etykieta identyfikacyjna

Dla USA i Kanady




**TOSHIBA**  
 MULTIFUNCTIONAL DIGITAL SYSTEMS  
 /SYSTEME MULTIFONCTION NUMERIQUE e-STUDIO2809A  
 MODEL/MODELE DP-2809A  
 120V ~  
 50/60Hz 12A  
 NO.

 complies with  
 UL 60950-1  
 CSA C22.2 No.60950-1

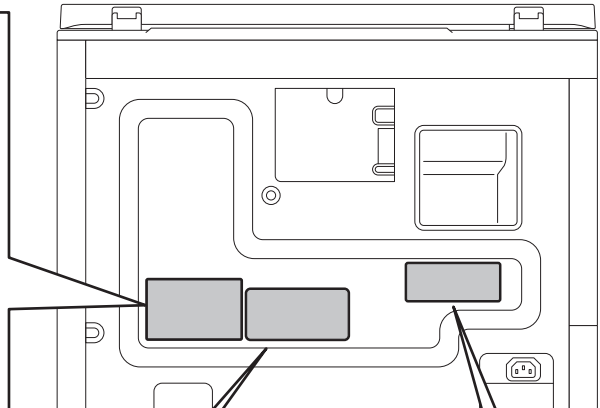
**TOSHIBA TEC CORPORATION** TC  
 MADE IN CHINA/FABRIQUE EN CHINE

Dla UE

**TOSHIBA**  
 MULTIFUNCTIONAL DIGITAL SYSTEMS  
 /SYSTEME MULTIFONCTION NUMERIQUE e-STUDIO2809A  
 MODEL/MODELE DP-2809A  
 220-240V ~  
 50/60Hz 8A  
 NO.

**TOSHIBA TEC CORPORATION** TC  
 MADE IN CHINA/FABRIQUE EN CHINE



## Etykieta objaśniająca

CLASS 1 LASER PRODUCT  
 APPAREIL À LASER DE CLASSE 1  
 LASER KLASSE 1  
 PRODUCTO DE LASER DE CLASE 1  
 クラス1レーザー製品

>PS<

## Etykieta certyfikacyjna (Dla U.S.A. i Kanady)

Product is certified by the manufacturer to comply with DHHS Rule 21 CFR subchapter J applicable at the date of Manufacture.

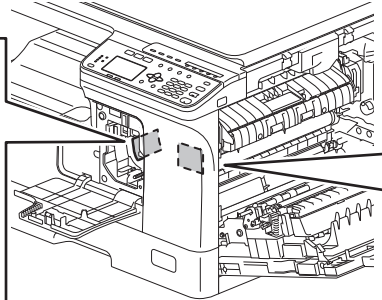
Manufactured: TS

**TOSHIBA TEC CORPORATION**  
 1-11-1, OSAKI, SHINAGAWA-KU, TOKYO, 141-8562, JAPAN

## Etykieta ostrzegawcza

 >PS<

危険-ドラムユニットを外したり光学ユニットを開けたときトアスイッチを無効にするクラス3Bの不可視レーザー放射の恐れあり。ビームの直接曝露を避けよ。  
 DANGER-CLASS 3B INVISIBLE LASER RADIATION WHEN OPTICAL UNIT OPEN OR DRUM UNIT REMOVED AND INTERLOCK DEFEATED. AVOID DIRECT EXPOSURE TO BEAM.  
 VORSICHT-KLASSE 3B UNSICHTBARE LASERSTRAHLUNG, WENN DIE ABDECKUNG GEÖFFNET ODER DIE TROMMEL ENTFERNT UND DIE VERBIEGELUNG UNWIRKSAM GEMACHT WIRD. NICHT DIREKT DEM STRAHL AUSSETZEN.  
 DANGER-CLASSE 3B RAYON LASER INVISIBLE LORSQUE LE BLOC OPTIQUE EST OUVERT, LE TAMBOUR RETIRE ET LE VERROUILLAGE HORS D'USAGE. EVITER L'EXPOSITION DIRECTE AU RAYON.  
 PELIGRO-RADIACION INVISIBLE DE LASER CLASE 3B CUANDO LA UNIDAD OPTICA ESTA ABIERTA O LA UNIDAD DEL CILINDRO ES RETIRADA Y CUANDO EL INTERRUPTOR DE SEGURIDAD ESTA DE SACTIVADO, EVITE EXPOSICION DIRECTA AL RAYO.

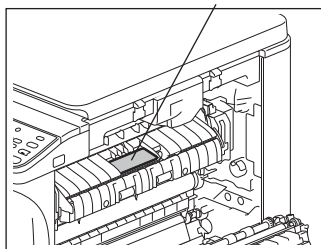


## Etykieta ostrzegawcza

 >PS<

危険-ドラムユニットを外したり光学ユニットを開けたときトアスイッチを無効にするクラス3Bの不可視レーザー放射の恐れあり。ビームの直接曝露を避けよ。  
 DANGER-CLASS 3B INVISIBLE LASER RADIATION WHEN OPTICAL UNIT OPEN OR DRUM UNIT REMOVED AND INTERLOCK DEFEATED. AVOID DIRECT EXPOSURE TO BEAM.  
 VORSICHT-KLASSE 3B UNSICHTBARE LASERSTRAHLUNG, WENN DIE ABDECKUNG GEÖFFNET ODER DIE TROMMEL ENTFERNT UND DIE VERBIEGELUNG UNWIRKSAM GEMACHT WIRD. NICHT DIREKT DEM STRAHL AUSSETZEN.  
 DANGER-CLASSE 3B RAYON LASER INVISIBLE LORSQUE LE BLOC OPTIQUE EST OUVERT, LE TAMBOUR RETIRE ET LE VERROUILLAGE HORS D'USAGE. EVITER L'EXPOSITION DIRECTE AU RAYON.  
 PELIGRO-RADIACION INVISIBLE DE LASER CLASE 3B CUANDO LA UNIDAD OPTICA ESTA ABIERTA O LA UNIDAD DEL CILINDRO ES RETIRADA Y CUANDO EL INTERRUPTOR DE SEGURIDAD ESTA DE SACTIVADO, EVITE EXPOSICION DIRECTA AL RAYO.

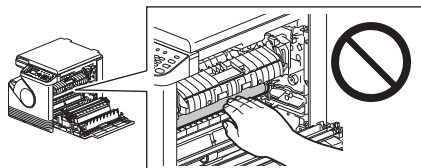
## Ostrzeżenie dotyczące wysokiej temperatury (zespół utrwalający)



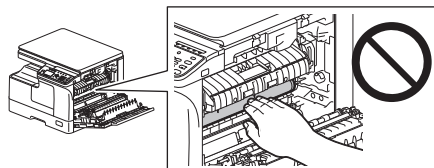
## Inne uwagi

- Nie wyłączać zasilania z zaciętym papierem wewnątrz urządzenia. Może to spowodować awarię przy następnym włączeniu zasilania.
- Należy pamiętać, aby wyłączyć zasilanie przed wyjściem z biura lub w razie awarii sieci energetycznej. Nie wolno wyłączać jednak zasilania, jeżeli używana jest funkcja budzika.
- Należy zachować ostrożność, ponieważ obszar wyjścia papieru i papier zaraz po wyprowadzeniu są gorące.
- Nie należy umieszczać na tacy odbiorczej przedmiotów innych niż papier. Może to zakłócić normalne działanie i spowodować awarię.
- Nie należy dotykać bębna światłoczułego. Może to spowodować problemy z obrazem.

e-STUDIO2802A/2802AM/2802AF



e-STUDIO2303A/2303AM/2803AM/2309A/2809A



- Nie należy otwierać ani zamykać pokryw lub podajnika ręcznego; nie wolno wyciągać też kaset podczas drukowania.

## ☐ Podczas konserwacji lub przeglądu

### ⚠ OSTRZEŻENIE

- Nigdy nie należy podejmować prób naprawy, demontażu ani modyfikacji wielofunkcyjnego systemu cyfrowego. Może to spowodować pożar lub porażenie prądem elektrycznym. Do wykonania konserwacji lub naprawy wewnętrznych elementów wielofunkcyjnego systemu cyfrowego zawsze należy wzywać przedstawiciela serwisu.
- Nie należy dopuszczać do tego, aby płyny, takie jak woda lub olej, dostawały się do systemu podczas czyszczenia podłogi. Może to spowodować pożar lub porażenie prądem elektrycznym.

### ⚠ UWAGA

- Należy dbać o czystość wtyczki i gniazda elektrycznego. Należy zapobiegać gromadzeniu się na nich pyłu i kurzu. Może to wywołać pożar lub porażenie prądem elektrycznym ze względu na wysoką temperaturę wytwarzaną przez upływ prądu.

## Inne uwagi

- Do czyszczenia powierzchni wielofunkcyjnego systemu cyfrowego nie używać środków, takich jak rozcieńczalnik czy alkohol.
  - Powierzchnia może ulec zniekształceniu lub odbarwieniu.
  - W przypadku używania ściereczek do czyszczenia nasączanych środkiem chemicznym należy zwrócić uwagę na wszelkie ostrzeżenia.

## ☐ Postępowanie z materiałami eksploatacyjnymi

### ⚠ UWAGA

- Nigdy nie należy próbować palić pojemników z tonerem. Pojemniki z tonerem należy utylizować zgodnie z lokalnymi przepisami.

## Inne uwagi

- Należy zapoznać się dokładnie z podręcznikiem operatora, tak aby przy zmianie pojemnika z tonerem zastosować właściwą procedurę. Niewłaściwa procedura może spowodować wyciekanie lub rozsypanie się tonera.
- Nie należy otwierać pojemnika z tonerem na siłę. Może to spowodować wyciekanie lub rozsypanie się tonera.
- Pojemnik z tonerem przechowywać w miejscu niedostępnym dla dzieci.
- Jeżeli toner zabrudzi ubrania, należy zmyć go zimną wodą. Użycie ciepłej wody sprawi, że na ubraniach pozostaną trwałe plamy po tonerze.
- Należy uważać, aby nie wdychać ani nie dotykać tonera w razie jego wycieku z pojemnika z tonerem.

### Pierwsza pomoc

Po wdychaniu, dotykaniu itp. tonera należy zastosować następujące środki.

- Po wdychaniu: Poszkodowany powinien natychmiast oddalić się z miejsca, w którym narażony jest na wdychanie oparów i udać się na świeże powietrze. W razie jakichkolwiek problemów z oddychaniem lub innych niepokojących objawów należy zasięgnąć porady lekarza.
- W przypadku kontaktu ze skórą: Umyć miejsce kontaktu wodą z mydłem. Ubrania należy wyprać przed ich ponownym założeniem. W razie pojawienia się podrażnień lub jeżeli podrażnienia nie ustępują, należy zasięgnąć porady lekarza.
- Po dostaniu się do oczu: Natychmiast przepłukać oczy dużą ilością wody. Czynność ta powinna trwać co najmniej 15 minut. Jeżeli podrażnienia nie ustępują, należy wezwać lekarza.
- Po połknięciu: Rozcieńczyć zawartość żołądka kilkoma szklankami wody.

## ■ Informacje o ochronie środowiska

### □ Program ENERGY STAR®

Firma Toshiba Tec Corporation, członek programu ENERGY STAR, umieszcza logo ENERGY STAR na wszystkich produktach, które spełniają wymagania tego programu.



Program ENERGY STAR ma na celu promocję projektowania i wprowadzania na rynek energooszczędnego sprzętu biurowego, w tym energooszczędnych komputerów, aby przeciwdziałać zagrożeniom dla środowiska naturalnego, takim jak globalne ocieplenie klimatu. Producenci, którzy uczestniczą w tym programie, mogą dołączać logo ENERGY STAR do produktów po potwierdzeniu, że spełniają one normy oszczędności energii określone przez ten program. Normy te i logo są także używane przez amerykańską Agencję Ochrony Środowiska (EPA) oraz kraje współpracujące.

Określone produkty, obszary sprzedaży lub dane regiony mogą nie być uwzględnione. Aby sprawdzić, czy dany produkt spełnia wymagania programu ENERGY STAR, należy odszukać na nim odpowiednie logo.

W przypadku jakichkolwiek pytań należy skontaktować się z przedstawicielem serwisu.

## ■ Введение

Благодарим за покупку многофункциональных цифровых систем Toshiba. В руководстве ТЕХНИКА БЕЗОПАСНОСТИ описаны необходимые меры предосторожности при работе с многофункциональными цифровыми системами TOSHIBA.

Для вашей безопасности прочитайте руководство перед тем, как начать использовать данное оборудование. Конкретные используемые модели зависят от региона.

В данной таблице показано комбинация названий моделей, показанных на обложке, и названий моделей, указанных на идентификационной наклейке.

Название модели на обложке	Название модели на идентификационной наклейке
e-STUDIO2802A/2802AM/2802AF	DP-2802A/2802AM/2802AF
e-STUDIO2303A	DP-2303A
e-STUDIO2303AM/2803AM	DP-2303AM/2803AM
e-STUDIO2309A/2809A	DP-2309A/2809A

Если в заметке имеется название модели, применяется соответствующая модель. В противном случае применяются модели.

Например:

**e-STUDIO2309A/2809A:** Это обозначает e-STUDIO2309A/2809A.

## □ Товарные знаки

Другие названия компании или наименование изделий, приводимых в этом руководстве или отображаемых в этой программе, могут быть товарными знаками соответствующих компаний.

## □ Уведомление об отказе от ответственности

Изложенное ниже относится к исключению и ограничению ответственности компании TOSHIBA TEC (включая ее работников, агентов и субподрядчиков) перед любым покупателем или пользователем ("Пользователь") устройство e-STUDIO2802A/2802AM/2802AF, e-STUDIO2303A, e-STUDIO2303AM/2803AM или e-STUDIO2309A/2809A, включая и относящиеся к нему аксессуары, дополнительные устройства и входящее в комплект программное обеспечение ("Продукт").

1. Исключение и ограничение ответственности, относящиеся к этому уведомлению, действительны в максимально разрешенной действующим законодательством степени. Во избежание недоразумений, ни какая часть этого уведомления не может быть изъята, чтобы исключить или ограничить ответственность компании TOSHIBA TEC за смерть или телесные повреждения, вызванные небрежностью компании TOSHIBA TEC или намеренными искажениями информации, предоставляемой компанией TOSHIBA TEC.

- 
2. Все гарантии, условия и другие положения, вытекающие из предписаний закона, исключены в максимально разрешенной действующим законодательством степени, и никакие подразумеваемые гарантии не даются или не применяются в отношении данного Продукта.
  3. Компания TOSHIBA TEC не несет ответственности за любые потери, убытки, затраты, претензии или ущерб, вызванные чем-либо из нижеследующего:
    - (a) использование или обращение с Продуктом иными способами, чем описанные в руководствах, в частности, в руководстве по эксплуатации, руководстве пользователя, или же неправильное или небрежное обращение или использование Продукта;
    - (b) любые причины, препятствующие правильной эксплуатации или функционированию Продукта, которые проистекают или же могут быть приписаны любым действиям, упущениям, событиям или несчастным случаям, находящимися за пределами приемлемого контроля компании TOSHIBA TEC, включая, в частности действие непреодолимых обстоятельств, войну, восстание, гражданские волнения, злоумышленное или преднамеренное повреждение, пожар, наводнение, ураган, стихийное бедствие, землетрясение, напряжение питания, выходящее за нормальные значения, или другие катастрофы;
    - (c) добавление, модернизация, разборка, перемещение или ремонт любыми лицами, кроме сервисных инженеров, уполномоченных компанией TOSHIBA TEC CORPORATION; или:
    - (d) использование бумаги, расходных материалов или запчастей, отличных от рекомендованных компанией TOSHIBA TEC.
  4. При условии применимости п.1 компания TOSHIBA TEC не несет ответственности перед Клиентом за:
    - (a) утрату прибыли, снижение продаж или оборота, нанесенные репутации, утрату продукции, отсутствие ожидаемой экономии, потерю нематериальных активов или возможностей для развития бизнеса, потерю клиентов, утрату или невозможность использования любого программного обеспечения или данных, потери, понесенные по любому контракту или в связи с ним, или:
    - (b) любые дополнительные, случайные, сопутствующие или косвенные потери, убытки, затраты, расходы, финансовые потери или претензии на компенсацию претензии на компенсацию каким бы то ни было образом связанные или возникающие в связи с настоящим Продуктом или же с использованием или обращением с данным Продуктом, даже если компания TOSHIBA TEC и осведомлена возможностью такого ущерба.

Компания TOSHIBA TEC не несет ответственности ни за какие убытки, затраты, расходы, претензии или ущерб, вызванные неспособностью использования (включая, в частности, неисправность, неправильное функционирование, зависание, инфицирование вирусами или другие проблемы), возникающие в результате использования данного Продукта с оборудованием, предметами или программным обеспечением, которые компания TOSHIBA TEC не поставляла ни непосредственно, ни косвенным образом.



---

## ■ УСЛОВИЯ ЛИЦЕНЗИОННОГО СОГЛАШЕНИЯ

УСТАНОВКА ИЛИ ДРУГОЕ ИСПОЛЬЗОВАНИЕ ДАННОГО ПРОГРАММНОГО ПРОДУКТА ОСНОВАНО НА ПРИНЯТИИ ВАМИ СЛЕДУЮЩИХ УСЛОВИЙ И ОГРАНИЧЕНИЙ (ЕСЛИ ОБРАТНОЕ НЕ УКАЗЫВАЕТСЯ ПРИ ПРЕДОСТАВЛЕНИИ ПОСТАВЩИКОМ ПРОГРАММНОГО ОБЕСПЕЧЕНИЯ С ОТДЕЛЬНОЙ ЛИЦЕНЗИИ). НЕ ПРИНИМАЯ ЭТИ УСЛОВИЯ, ВЫ НЕ МОЖЕТЕ УСТАНОВЛИВАТЬ ИЛИ ИСПОЛЬЗОВАТЬ ДАННОЕ ПРОГРАММНОЕ ОБЕСПЕЧЕНИЕ И НЕМЕДЛЕННО ДОЛЖНЫ ВЕРНУТЬ ЭТО ПРОГРАММНОЕ ОБЕСПЕЧЕНИЕ ТУДА, ГДЕ ВЫ ЕГО ПОЛУЧИЛИЮ.

### **ПРЕДОСТАВЛЕНИЕ ЛИЦЕНЗИИ:**

Это юридическое соглашение между вами, конечным пользователем (“Вы”), и корпорацией ТТЕС. Этот программное обеспечение, шрифты (включая гарнитуру) и связанная с ним документация (“Программное обеспечение”) лицензировано для использования с системой центрального процессора, на которые оно устанавливается (“Система”) в соответствии с условиями, содержащимися в настоящем лицензионном соглашении. Авторское право и прочие права собственности на интеллектуальную собственность, правовой титул и право собственности в программном обеспечении полные права собственности сохраняются за корпорацией ТТЕС и ее поставщиками. Корпорация ТТЕС отказывается от ответственности за установку и/или использование этого программного обеспечения и за результаты, полученные при использовании этого программного обеспечения. Вы можете использовать одну копию программного обеспечения, установленного на одной системе, и не вправе копировать программное обеспечение по любой причине за исключением необходимого для использования программного обеспечения на одной системе. Любое копирование данного программного обеспечения должно соответствовать с требованиями и условиями данного лицензионного соглашения. Вы не можете, и не можете заставлять или разрешать любой третьей стороне модификацию, адаптацию, объединение, перевод, декомпиляцию, дизассемблирование или обратное проектирование программного обеспечения. Вы не вправе использовать программное обеспечение иначе, как в соответствии с этой лицензией. Никакие права собственности на интеллектуальную собственность в программном обеспечении не передаются вам, и полное право собственности сохраняется за корпорацией ТТЕС и ее поставщиками. Вы не лицензируются на исходный текст программного обеспечения. Вы несете официальную ответственность за любые нарушения авторских прав, неразрешенный перенос, воспроизведение или использование программного обеспечения или его документации.

### **СРОК ДЕЙСТВИЯ:**

Настоящая лицензия действует до момента ее прекращения корпорацией ТТЕС или до вашей неспособности выполнения любых условий настоящего лицензионного соглашения. По ее прекращению вы соглашаетесь ликвидировать все копии этого программного обеспечения. Вы можете прервать эту лицензию в любое время, удалив это программное обеспечение и все копии.

### **ОТКАЗ ОТ ПРЕДОСТАВЛЕНИЯ ГАРАНТИЙ:**

Программное обеспечение предоставляется в таком виде, как оно есть, без гарантии любого вида, выраженной в явном виде или подразумеваемой, включая, но не ограничиваясь подразумеваемыми гарантиями годности для продажи, соответствия для конкретной цели и отсутствия нарушения законов. Корпорация ТТЕС отказывается от любых гарантий, связанных с качеством или использованием программного обеспечения. Если программное обеспечение оказалось дефектным, вы (а не корпорация ТТЕС) несете все расходы по необходимому обслуживанию, восстановлению или исправлению.

RU

---

Корпорация ТТЕС не гарантирует, что функции, содержащиеся в программном обеспечении, будут отвечать вашим требованиям или что работа программного обеспечения будет непрерывной и без ошибок.

**ОБНОВЛЕНИЕ И ПРЕКРАЩЕНИЕ ИСПОЛЬЗОВАНИЯ:**

ТТЕС может обновлять, модернизировать и прекращать использования программного обеспечения без каких-либо ограничений.

**Программное обеспечение третьей стороны:**

Имеются случаи, когда программное обеспечение третьей стороны включено в этом программном обеспечении (включая и будущих обновленных и улучшенных версий). Такое программное обеспечение сторонних производителей предоставляется вам на условиях, отличающихся от указанных в настоящем Лицензионном соглашении, и содержится в лицензионном соглашении с поставщиками или в файлах сведений (или в файлах аналогичного назначения) отдельно от этих лицензионных соглашениях ("Отдельные соглашения и т.д."). При использовании программного обеспечения третьей стороны вы должны соблюдать условия такого программного обеспечения, указанные в отдельных соглашениях и т.д. За исключением условий программного обеспечения третьей стороны, вы должны соблюдать условия, указанные в настоящем Лицензионном соглашении.

**ОГРАНИЧЕНИЕ ОТВЕТСТВЕННОСТИ:**

ПЕРЕД ВАМИ ЗА ЛЮБОЙ УБЫТОК, ВОЗНИКШИЕ ВСЛЕДСТВИЕ СОГЛАШЕНИЯ, ГРАЖДАНСКОГО ПРАВОНАРУШЕНИЯ ИЛИ ДРУГИХ ОБСТОЯТЕЛЬСТВ (исключая личный вред или гибель в результате халатности со стороны корпорации ТТЕС), В ТОМ ЧИСЛЕ БЕЗ ОГРАНИЧЕНИЯ ЛЮБОЙ УПУЩЕННОЙ ВЫГОДЫ, ПОТЕРИ ИНФОРМАЦИИ, ПОТЕРИ СБЕРЕЖЕНИЙ ИЛИ ДРУГИХ ПРЯМЫЕ, КОСВЕННЫЕ, ОСОБЫЕ, ОПОСРЕДОВАННЫЕ И ПРОЧИЕ УБЫТКИ, ВОЗНИКШИХ В РЕЗУЛЬТАТЕ ИСПОЛЬЗОВАНИЯ ИЛИ НЕВОЗМОЖНОСТИ ИСПОЛЬЗОВАНИЯ ПРОГРАММНОГО ОБЕСПЕЧЕНИЯ, ДАЖЕ ЕСЛИ КОРПОРАЦИЯ ТТЕС ИЛИ ЕЕ ПОСТАВЩИКИ БЫЛИ ЗАРАНЕЕ ПРЕДУПРЕЖДЕНЫ О ВОЗМОЖНОМ УЩЕРБЕ ИЛИ ЖЕ ПРИ ИСК ТРЕТЬЕЙ СТОРОНЫ.

**ОГРАНИЧЕНИЕ ПРАВА ПРАВИТЕЛЬСТВА США:**

Программное обеспечение поставляется с ОГРАНИЧЕННЫМИ ПРАВАМИ. В зависимости от обстоятельств, правительство США может использовать, копировать или раскрыть информацию, при условии соблюдения изложенных ограничений в подразделах (b) (3) (ii) или (c) (i) (ii) поправки Rights in Technical Data and Computer Software к статьям 252.227-7013, 52.227-19 (c) (2) DOD FAR.

---

## ОБЩИЕ ПОЛОЖЕНИЯ:

Вы не имеете права предоставлять сублицензию, сдавать в аренду, в прокат, передавать или перемещать эту лицензию или программное обеспечение. Любая попытка предоставляет сублицензию, сдавать в аренду, в прокат, передавать или перемещать лишают юридической силы от любых прав, долга или обязательства. Вы согласились, что вы не намереваетесь и не будете отгружать, передавать, экспортировать или реэкспортировать (непосредственно или косвенным образом) программное обеспечение, включая любые копии этого программного обеспечения, или любую техническую информацию, содержащуюся в этом программном обеспечении или его носителей, или любой непосредственно получаемый продукт, в любую страну или для назначения, запрещенного правительством Японии, правительством США и связанных стран. Эта лицензия должна регулироваться законами Японии или, при выборе корпорацией ТТЕС поставщика, заинтересованного в обсуждении возникших или связанных с настоящим Соглашением вопросов, законами страны, назначаемой корпорацией ТТЕС время от времени релевантным поставщиком. Если любое положение или часть настоящего лицензионного соглашения будет найдена противозаконно, недействительно или юридически недействительным, остающиеся положения или части остаются в полной силе и следствиях.

ВЫ ПРИЗНАЕТЕ, ЧТО ПРОЧИТАЛИ НАСТОЯЩЕЕ ЛИЦЕНЗИОННОЕ СОГЛАШЕНИЕ И ПОНЯЛИ ЕГО ПОЛОЖЕНИЯ. ВЫ СОГЛАШАЕТЕ ИСПОЛНЯТЬ ЕГО УСЛОВИЯ И ОГРАНИЧЕНИЯ. КРОМЕ ТОГО, ВЫ ПРИЗНАЕТЕ, ЧТО НАСТОЯЩЕЕ ЛИЦЕНЗИОННОЕ СОГЛАШЕНИЕ СОДЕРЖИТ ПОЛНОЕ И ИСКЛЮЧИТЕЛЬНОЕ СОГЛАШЕНИЕ МЕЖДУ ВАМИ И КОРПОРАЦИЕЙ ТТЕС И ЕЕ ПОСТАВЩИКАМИ, И ЗАМЕНЯЕТ СОБОЙ ЛЮБОЙ ПРЕДЛОЖЕНИЕ ИЛИ ПРЕДШЕСТВУЮЩИЙ ДОГОВОР, УСТНЫЙ ИЛИ ПИСЬМЕННЫЙ, ИЛИ ЛЮБОЕ ДРУГОЕ СООБЩЕНИЕ, СВЯЗАННОЕ С ПРЕДМЕТОМ ОБСУЖДЕНИЯ НАСТОЯЩЕГО ЛИЦЕНЗИОННОГО СОГЛАШЕНИЯ.

Поставщик/производитель: корпорация TOSHIBA TEC, 1-11-1, Osaki, Shinagawa-ku, Tokyo, 141-8562, Япония

## ■ Меры предосторожности

Чтобы правильно использовать функции безопасности этих изделий, подробно изучите следующие меры предосторожности. Убедитесь, что назначены администраторы, имеющие достаточно возможностей управления системой, поскольку они получают значительные привилегии в отношении управления и использования.

### □ Администратору

- В случае возникновения проблем с физической безопасностью, таких как пропажа оборудования или несанкционированная разборка на месте установки оборудования, примите соответствующие меры защиты оборудования, например, контроль при входе и выходе из места, где работает машина.
- (Только для for e-STUDIO2802A/2802AM/2802AF, e-STUDIO2303AM/2803AM, e-STUDIO2309A/2809A) При подключении этого изделия к внешней сети, например, через Интернет, обязательно защищайте сетевую среду с помощью брандмауэра и т. п. с целью предотвращения утечки информации в результате неправильных настроек или незаконного доступа незарегистрированных пользователей.

RU

- 
- (Только для for e-STUDIO2802A/2802AM/2802AF, e-STUDIO2303AM/2803AM, e-STUDIO2309A/2809A) Для предотвращения неправомерных или аналогичных изменений настройки конфигурации измените начальный пароль администратора после поставки данной машины. Администратор также должен регулярно изменять пароль.
  - (Только для for e-STUDIO2802A/2802AM/2802AF, e-STUDIO2303AM/2803AM, e-STUDIO2309A/2809A) Для соответствующего использования сетевых функций и функции управления отделом убедитесь, что уже изучили руководство по TopAccess и руководство оператора.  
(Только для e-STUDIO2303A) Для обеспечения правильного применения функции управления отделом, сначала убедитесь, что прочитали руководство оператора.
  - Убедитесь, что поняты политики безопасности и процедуры организации, управления и эксплуатации оборудования в соответствии с политиками, изученными в руководстве оператора. Затем объясните правила эксплуатации машины и ее управления; изложите правила безопасности обычным пользователям.
  - Предоставьте обычным пользователям соответствующие привилегии и проверяйте правильную работу оборудования.
  - (Только для for e-STUDIO2802A/2802AM/2802AF, e-STUDIO2303AM/2803AM, e-STUDIO2309A/2809A) Для обеспечения безопасности, всегда проверяйте, включены ли сетевые функции и функции управления отделом. В случае возникновения любых отклонений немедленно свяжитесь с технической службой. Для проверки см. руководство по TopAccess и руководство оператора.  
(Только для e-STUDIO2303A) Для обеспечения безопасности, всегда проверяйте, включена ли функция управления отделом. В случае возникновения любых отклонений немедленно свяжитесь с технической службой. Для проверки см. руководство оператора.

#### □ Для обычных пользователей

- По завершении работы с этой машиной тщательно проверьте, не забыли ли вы вынуть любые оригиналы, распечатанную бумагу или устройства хранения USB.
- (Только для for e-STUDIO2802A/2802AM/2802AF, e-STUDIO2303AM/2803AM, e-STUDIO2309A/2809A) Регулярно заменяйте пароль. Убедитесь, что вы не используете предсказуемое число, такое как день рождения или идентификационный номер работника, и сохраняйте его в секрете.
- Не отходите от этой машины во время исполнения задания, поскольку кто-то другой сможет увидеть оригиналы или возьмет распечатанный док.

#### ■ Информация для пользователей

После выбора подходящего места для установки e-STUDIO2802A/2802AM/2802AF, e-STUDIO2303A, e-STUDIO2303AM/2803AM или e-STUDIO2309A/2809A не меняйте его. Избегайте избыточного нагрева, запыленности, вибраций и воздействия прямого солнечного света. Также обеспечьте надлежащую вентиляцию, так как копирующее устройство выделяет небольшое количество озона.

Это устройство классифицируется как лазерный продукт класса 1 в соответствии с IEC60825-1:2007, включая поправки.

В этом устройстве используются импульсные лазерные диоды с выходной мощностью 10 мВт с длиной волны 785 нм и длительностью импульса 1,25 мкс.

### **ПРЕДУПРЕЖДЕНИЕ**

Использование иных регулировок или управления, либо иное выполнение операции, чем определено здесь, может привести к опасному лучевому воздействию.

### **ОПАСНО!**

Это изделие относится к классу А. В домашних условиях оно может стать источником радиопомех, для устранения которых потребуются принять соответствующие меры.



Указывает, что в местах, помеченных этой отметкой на таких изделиях, применяется лазер и, если не предотвратить излучение, имеется потенциальный риск и опасность для глаз либо повреждения или ожога кожи. Следуйте мерам предосторожности, изложенным около этого символа.



Указывает, что в местах, помеченных этой отметкой, существует высокая температура и, при прикосании, имеется потенциальный риск и опасность ожогов и связанного с ними повреждения кожи. Не прикасайтесь к этому месту и около него.

### **Только для США**

#### **УВЕДОМЛЕНИЕ ФЕДЕРАЛЬНОЙ КОМИССИИ СВЯЗИ США**

Это оборудование было сертифицировано по классу А для цифровых устройств в соответствии с частью 15 правил Федеральной комиссии связи США. Эти ограничения разработаны для обеспечения приемлемой защиты от критических помех при использовании оборудования в промышленном окружении. Это оборудование создает, использует и может излучать радиоволны, которые, если оно установлено и используется не в соответствии с инструкцией, могут оказывать вредное воздействие на радиосвязь. При работе этого оборудования в жилых районах возможны критические помехи, результат действия которых пользователь должен будет устранять за свой счет.

### **ОПАСНО!**

Изменения или модификация этого оборудования, не имеющие прямого одобрения корпорации TOSHIBA TEC или сторонами, авторизованными корпорацией TOSHIBA TEC, делают неправомерным использование оборудования.

**RU**

### **Безопасность пользователя**

Многофункциональные цифровые системы корпорации TOSHIBA не создают лазерного излучения, опасного для пользователя. Это сертифицировано 1 классом лазерной продукции радиационного стандарта функционирования министерствам здравоохранения и социального обеспечения США в соответствии с Законом о радиационном контроле здоровья и безопасности 1968 г., включая поправки.

Защитный кожух и внешнее покрытие полностью задерживают свет лазерного луча, излучаемый внутри многофункциональных цифровых систем. Лазерный луч не может выйти за пределы устройства ни на какой фазе работы аппарата.

Правила, принятые 2 августа 1976 г. Рентгенологическим комитетом США Управления по продовольствию и медикаментам, применяются к лазерным устройствам, производимым с 1 августа 1976 г. Лазерные устройства, продаваемые в США, должны полностью отвечать этим требованиям.

### **ПРЕДУПРЕЖДЕНИЕ**

Использование иных регулировок или управления, либо иное выполнение операции, чем определено здесь, может привести к опасному лучевому воздействию.

### **Для США и Канады**

#### **Нормативная информация**

Для охраны окружающей среды компания Toshiba предлагает субсидировать программу Call2Recycle ассоциации Rechargeable Battery Recycling. О дополнительных сведениях об этой программе и расположении точек обмена см. на сайте [www.rbrc.org](http://www.rbrc.org) или позвоните на номер 1-800-822-8837.

Уведомление о плоских аккумуляторах CR; применимо только для шт. Калифорния, США: Перхлораты - специальная обработка.

См. <http://www.dtsc.ca.gov/hazardouswaste/perchlorate/>

#### **Законопроект 65 штата Калифорния: только для Калифорнии, США**

#### **⚠ ОПАСНО!**

Этот продукт может выделять фталаты, которые в штате Калифорния считаются причиной образования рака, врожденных пороков или других опасностей, связанных с репродуктивностью. Чтобы получить больше информации, посетите [www.P65Warnings.ca.gov/product](http://www.P65Warnings.ca.gov/product).

### **Только для Канады**

Эти цифровые машины класса А выполнены в соответствии с нормативами ICES-003 Канады.

Cet appareil numerique de la classe A est conforme a la norme NMB-003 du Canada.

## Только для ЕС

### Условия работы

Согласно требованиям электромагнитной совместимости, использование этого устройства ограничено в следующих местах:

- Медицинские учреждения: это изделие не сертифицировано в качестве изделия для использования в медицине в соответствии с директивой по медицинскому оборудованию 93/42/ЕЕС
- Жилые помещения (например, жилые комнаты с радиоприемниками и телевизорами, расположенными неподалеку от этого изделия), потому что это изделие относится к классу А. В домашних условиях оно может стать источником радиопомех, для устранения которых потребуется принять соответствующие меры

Любые последствия применения этого изделия в условиях, не одобренных или указанных как непригодные для применения, не приводят к какой-либо ответственности компании TOSHIBA TEC.

При использовании этого продукта в таких условиях возможно возникновение электромагнитных помех у других устройств или установок, расположенных в непосредственной близости. В результате электромагнитных помех возможно нарушение работоспособности, включая утерю или повреждение данных в этом изделии или других устройствах и установках.

Помимо этого из общих соображений техники безопасности не разрешается использование настоящего изделия во взрывоопасных атмосферах.

### Соответствие директивам ЕС

В соответствии с положениями применимых к этому изделию и соответствующим дополнительным приспособлениям Директив ЕС, в частности Директивы по низковольтному оборудованию 2006/95/ЕС (до 20.04.2016 г.), 2014/35/EU (после 20.04.2016 г.), Директивы по электромагнитной совместимости 2004/108/ЕС (до 20.04.2016 г.), 2014/30/EU (после 20.04.2016 г.), Директива RoHS по данному продукту и электронным аксессуарам 2011/65/EU и Директивы посредством радиосвязи и телекоммуникационному окончному оборудованию 1999/5/ЕС.

За эту маркировку несет ответственность компания CE TOSHIBA TEC GERMANY IMAGING SYSTEMS GmbH, Carl-Schurz-Str. 7, 41460 Neuss, Germany, phone +49-(0)-2131-1245-0.

Для получения копии декларации соответствия свяжитесь со своим продавцом или компанией TOSHIBA TEC.

### Внимание:

Это изделие относится к классу А. В домашних условиях оно может стать источником радиопомех, для устранения которых потребуется принять соответствующие меры.

RU

Следующая информация предназначена только для государств – членов ЕС:



Данное изделие помечено в соответствии с требованиями Директивы ЕС по утилизации электрического и электронного оборудования - WEEE.

Использование этого символа указывает, что не разрешается утилизация данного изделия на муниципальных свалках без предварительной сортировки компонентов изделия. Обеспечив надлежащую утилизацию этого изделия, вы можете предотвратить потенциальные негативные последствия для окружающей среды и здоровья людей, которые могли бы возникнуть в случае неправильной утилизации этого изделия.

Детальные сведения о возврате и повторной переработке этого изделия можно получить у поставщика, у которого оно было приобретено.

Следующая информация предназначена только для государств – членов ЕС:



Утилизация батарей или аккумуляторов выполняется в соответствии с Директивой по батареям и аккумуляторам и утилизации батарей и аккумуляторов

Использование этого символа указывает, что не разрешается утилизация батарей и аккумуляторов на муниципальных свалках без предварительной сортировки компонентов изделия.

Детальные сведения о возврате и повторной переработке батарей или аккумуляторов можно получить у поставщика, у которого они были приобретены.

Это устройство не предназначено для применения в поле зрения на рабочей плоскости дисплея.

Во избежание несовместимости отражений на рабочей поверхности дисплея данное устройство не должно направляться на дисплей.

### Только для Индии

Следующая информация относится только для Индии:



Использование этого символа означает, что этот продукт не может рассматриваться в качестве бытовых отходов. Обеспечив надлежащую утилизацию этого изделия, вы можете предотвратить потенциальные негативные последствия для окружающей среды и здоровья людей, которые могли бы возникнуть в случае неправильной утилизации этого изделия.

Детальные сведения о возврате и повторной переработке этого изделия можно получить у поставщика, у которого оно было приобретено.



### Только для Аргентины

Следующая информация относится только для провинции Буэс-Айрес в Аргентине:



La siguiente informaci3n es solo para Argentina

El uso de este smbolo indica que este producto no puede ser tratado como residuos dom1sticos.

Aseg1rese que este producto se deseche correctamente, Usted ayudara a evitar posibles consecuencias negativas para el medio ambiente y la salud humana, que podran derivarse de la incorrecta manipulaci3n de este producto.

Para mas informaci3n sobre el reciclaje de este producto, consulte con nuestro.

### Только для Турции

Следующая информация относится только для Турции:

AEEE Y3netmeliđine Uyundur

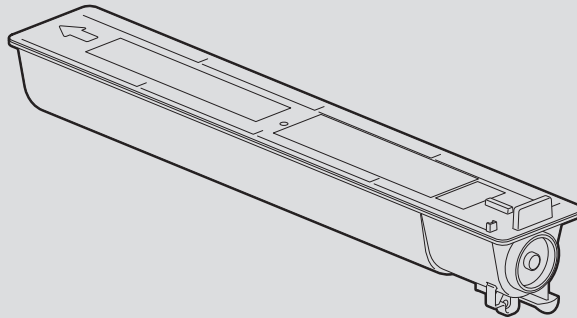
### Только для Китая

	Указывает, что изделия, помеченные этой отметкой, могут применяться в регионах, отличающихся от тропического климата в Китае.
	Указывает, что изделия, помеченные этой отметкой, могут использоваться в Китае в областях на высоте до 2000 м выше уровня моря.

## ■ Непревзойденное качество Toshiba

Для получения оптимальных результатов рекомендуется использовать оригинальные расходные материалы TOSHIBA.

На данном рисунке показан картридж для e-STUDIO2802A/2802AM/2802AF.



### TOSHIBA

#### T-2802U

FOR/POUR  
e-STUDIO2802AM/2802AF

COMPONENTS:  
Polyester resin, Carbon black(1333-86-4), Wax,  
Organic Metal Complex, Titanium dioxide,  
Amorphous Silica(7631-86-9)

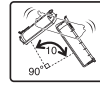
### ORIGINAL & GENUINE TOSHIBA TONER

NET 338 g

- HANDLE WITH CARE.
- STORE IN A DRY PLACE BELOW 35°C(95°F).
- READ THE OPERATING INSTRUCTIONS OF THE MACHINE BEFORE USING.
- DO NOT TOUCH THE METAL CONTACT ON THE CIRCUIT BOARD.

**TOSHIBA TEC CORPORATION**  
Gate City Ohsaki West Tower, 1-11-1, Osaki,  
Shinagawa-ku, Tokyo, 141-8562, Japan  
TEL +81-3-6830-9100  
MADE IN CHINA / FABRIQUE EN CHINE

- MANIPULER AVEC PRECAUTION.
- GARDER DANS UN ENDROIT SANS HUMIDITE OU LA TEMPERATURE AMBIANTE EST MOINS DE 35°C.
- LIRE LE MANUEL D'EMPLOI DE L'APPAREIL AVANT D'EN FAIRE USAGE.
- NE PAS TOUCHER LA PIECE METALLIQUE SUR LE TABLEAU DE CIRCUITS.



Patent : <http://www.toshibatec.co.jp/en/patent/>

### TOSHIBA

#### T-2802E

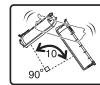
FOR/POUR/FÜR/DA/PARA  
e-STUDIO2802AM/2802AF

COMPONENTS:  
Polyester resin, Carbon black(1333-86-4), Wax,  
Organic Metal Complex, Titanium dioxide,  
Amorphous Silica(7631-86-9)

### ORIGINAL & GENUINE TOSHIBA TONER

- SHAKE WELL BEFORE USING.
- AGITER AVANT EMPLOI.
- VOR GEBRAUCH GUT SCHÜTTELN.
- AGITARE BENE PRIMA DELL'USO.
- SACUDIR BIEN ANTES DE USER.
- DO NOT TOUCH THE METAL CONTACT ON THE CIRCUIT BOARD.
- NE PAS TOUCHER LES CONTACTS METALLIQUES DU CIRCUIT IMPRIME.
- NON TOCCARE IL PEZZO DI METALLO NELLA SCHEDA DEI CIRCUITI.
- DAS METALLSTÜCK AUF DER STROMKREISSTAFEL NICHT BERÜHREN.
- NO TOCAR LA PIEZA METÁLICA EN EL TABLERO DE CIRCUITOS.

**TOSHIBA TEC CORPORATION**  
Gate City Ohsaki West Tower, 1-11-1, Osaki,  
Shinagawa-ku, Tokyo, 141-8562, Japan  
TEL +81-3-6830-9100  
MADE IN CHINA / FABRIQUE EN CHINE  
HERGESTELLT IN CHINA  
HECHO EN CHINA / FATTO IN CINA



PAT. P.

### TOSHIBA

#### T-2802P

FOR/POUR  
e-STUDIO2802A/2802AM/2802AF

COMPONENTS:  
Polyester resin, Carbon black(1333-86-4), Wax,  
Organic Metal Complex, Titanium dioxide,  
Amorphous Silica(7631-86-9)

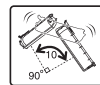
### ORIGINAL & GENUINE TOSHIBA TONER

NET 338 g

- HANDLE WITH CARE.
- STORE IN A DRY PLACE BELOW 35°C(95°F).
- READ THE OPERATING INSTRUCTIONS OF THE MACHINE BEFORE USING.
- DO NOT TOUCH THE METAL CONTACT ON THE CIRCUIT BOARD.

**TOSHIBA TEC CORPORATION**  
Gate City Ohsaki West Tower, 1-11-1, Osaki,  
Shinagawa-ku, Tokyo, 141-8562, Japan  
TEL +81-3-6830-9100  
MADE IN CHINA / FABRIQUE EN CHINE

- MANIPULER AVEC PRECAUTION.
- GARDER DANS UN ENDROIT SANS HUMIDITE OU LA TEMPERATURE AMBIANTE EST MOINS DE 35°C.
- LIRE LE MANUEL D'EMPLOI DE L'APPAREIL AVANT D'EN FAIRE USAGE.
- NE PAS TOUCHER LA PIECE METALLIQUE SUR LE TABLEAU DE CIRCUITS.



PAT. P.

---

## ❑ Расходные материалы и запасные части

- **Надежность**  
Оригинальные расходные материалы Toshiba проходят строжайшую проверку, поэтому все они соответствуют высоким уровням.
- **Высокая производительность**  
Оригинальные расходные материалы Toshiba создавались в ответ на потребности нашего наполненного конкуренцией мира и обеспечивают высокоскоростное получение копий по вашему требованию без всяких проблем.
- **Стабильное качество изображения**  
Оригинальные расходные материалы Toshiba предназначены для обеспечения неизменно стабильного вывода изображений.
- **Расходные материалы и запасные части**  
Оригинальные расходные материалы Toshiba разработаны с целью поддержания копирующего устройства и всех его деталей в отличном рабочем состоянии. Благодаря уменьшению износа, обеспечиваемому глубокими знаниями компанией Toshiba всех характеристик копира, гарантируется наивысший стандарт ухода за изделием.
- **Идеально подходящие расходные материалы**  
С самого начала расходные материалы и устройства Toshiba разрабатываются друг для друга. При разработке нового устройства компания Toshiba также создает и новый тонер для него. При использовании оригинальных расходных материалов Toshiba с продукцией Toshiba гарантируются оптимальные характеристики.

## ❑ Тонер

- **Оптимальное качество изображения**  
Тонер Toshiba производится с использованием высококачественных сверхтонких материалов в условиях жесткого контроля; а это гарантирует, что ваше копирующее устройство Toshiba будет неизменно создавать четкие высококачественные изображения.
- **Преимущество по цене**  
Оригинальный тонер Toshiba снижает издержки. При воспроизведении используется только необходимое количество тонера, в результате чего устройство продолжает работать до самого полного использования тонера. Так вы снижаете издержки использования каждого картриджа.
- **Гармония с окружающей средой**  
Оригинальный тонер Toshiba изготавливается с учетом требований минимального воздействия на окружающую среду. Заботясь о нашей планете и будущих поколениях, мы на каждом картридже помещаем тисненые или наклеиваемые метки, указывающие, что он может использоваться повторно. Помимо этого, для улучшения рабочих условий были значительно снижены допустимые уровни опасной для здоровья пыли и озона.
- **Удобство для пользователя**  
Перед выпуском тонера в продажу мы проверяем его, чтобы убедиться, что он соответствует строжайшим гигиеническим стандартам. Поэтому работать с ним можно без опаски.

## ❑ Общие сведения

- **О пользе обслуживания и поддержки**  
Технические специалисты Toshiba проходят сертификацию, что позволяет им поддерживать состояние вашего копира на оптимальном уровне. Чтобы гарантировать неизменно высокое качества изображения, используйте для проведения периодического обслуживания вашего копировального аппарата службу технической поддержки Toshiba.

---

## ■ Как читать это руководство

### □ Символы в настоящем руководстве

В этом руководстве некоторая важная информация выделена специальными символами, показанными ниже. Перед тем, как начать работать с этим оборудованием, убедитесь, что вы прочитали эти моменты.

#### ОПАСНО!

Обозначает потенциально опасную ситуацию, способную вызвать смерть или серьезную травму, либо привести к серьезному повреждению или возгоранию этого устройства или окружающих предметов.

#### ПРЕДУПРЕЖДЕНИЕ

Обозначает потенциально опасную ситуацию, способную вызвать легкие или средние травмы, либо привести к частичному повреждению устройства или окружающих предметов, или к потере данных.

#### Замечание

Обозначает процедуру, которой необходимо следовать для обеспечения работы этого оборудования.

Кроме вышеупомянутого, в данном руководстве также приводится информация, которая может быть полезна для работы с этим оборудованием, со следующим идентификатором:

#### Совет

Описывает полезные сведения, помогающие в работе с оборудованием.



Ссылки на страницы руководства для получения дополнительной информации. Обратитесь к указанным разделам при необходимости.

## ■ Общие меры предосторожности

### □ При установке или перемещении

#### ОПАСНО!

##### Для США и Канады

Этой многофункциональной цифровой системе требуется питание 120 В, 12 А, 50/60 Гц.

##### Для ЕС

Этой многофункциональной цифровой системе требуется питание 220 - 240 В, 8 А, 50/60 Гц.

##### Кроме США, Канады и ЕС

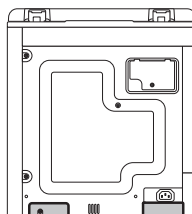
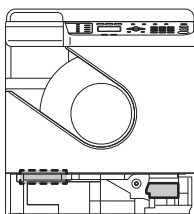
Этой многофункциональной цифровой системе требуется питание 220 - 240 В, 8 А, 50/60 Гц.

- Не используйте источники питания с другим напряжением. Не подключайте несколько устройств к одной розетке. Это может привести к пожару или поражению электрическим током. Если вы решите увеличить количество розеток, обратитесь к электрикам.

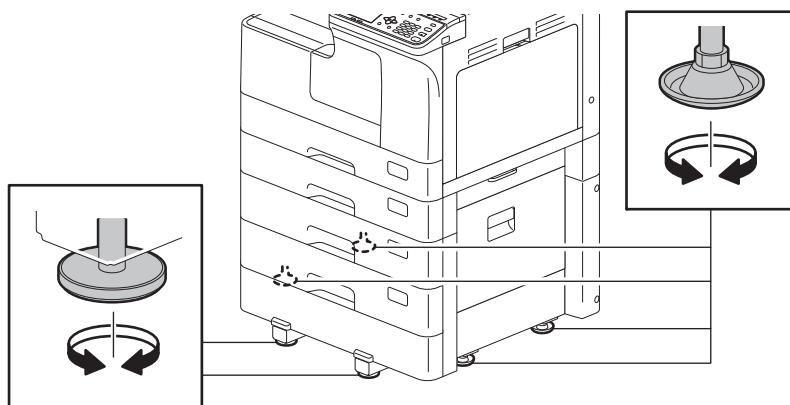
- Во избежание пожара или поражения электрическим током в случае пробоя на корпус всегда подключайте эту многофункциональную цифровую систему к розетке с заземлением. Обратитесь в службу технической поддержки за консультацией. Убедитесь, что используется 3-проводная заземленная розетка. Там, где используются 2-контактные разъемы (исключая США и Канада), для обеспечения безопасной работы эти системы необходимо заземлять. Никогда не используйте в качестве заземления газовые, водопроводные трубы и любые другие не предназначенные для этого объекты.
- Плотно вставьте шнур питания в розетку. Плохой контакт может нагреваться и привести к пожару или поражению электрическим током.
- Не повреждайте, не обрывайте и не пытайтесь починить шнур питания. Следует избегать следующего обращения со шнуром питания:
  - скручивания
  - перегибания
  - вытягивания
  - установки на него каких-либо предметов
  - нагрева
  - размещения вблизи него нагревательных приборов.
 Это может привести к пожару или поражению электрическим током. Если шнур питания поврежден, обратитесь в службу технической поддержки.
- Не пытайтесь самостоятельно установить устройство или поменять место установки. Это может привести к травме или повреждению устройства. В случае, если необходимо установить или переместить устройство, свяжитесь с представителем сервисной службы.
- Сетевая розетка должна находиться вблизи устройства и быть легко доступной.
- Не реже одного раза в год вынимайте вилку из розетки для очистки контактов. Накопление пыли и грязи может привести к пожару из-за нагрева, вызванного утечкой тока.

### ПРЕДУПРЕЖДЕНИЕ

- Не устанавливайте машину в месте, которое не сможет выдержать его вес, а также убедитесь, что поверхность горизонтальна. Помните, что при падении машины возможны серьезные травмы.  
 Масса машины  
 e-STUDIO2802A: около 19,5 кг  
 e-STUDIO2802AM: около 24 кг  
 e-STUDIO2802AF: около 24,5 кг  
 e-STUDIO2303A: около 24,3 кг  
 e-STUDIO2303AM/2803AM: около 24,3 кг  
 e-STUDIO2309A/2809A: около 25 кг
- (**e-STUDIO2802A/2802AM/2802AF**) При перемещении оборудования, вытащить кассету, а затем, с участием двух или более лиц, возьмите машину за участки, показанные ниже. В противном случае это может привести к травме или повреждению устройства.



- Вынимая вилку из розетки, не тяните за шнур питания. Всегда держитесь за вилку, вынимая ее из розетки. Если тянуть за шнур питания, провода могут порваться, что может привести к пожару или поражению электрическим током.
- Убедитесь, что вентиляционные отверстия открыты.  
При значительном повышении температуры внутри многофункциональной цифровой системы может возникнуть пожар.
- При подсоединении интерфейсного кабеля к оборудованию убедитесь, что питание выключено. Если питание не снято, возможно поражения электрическим током.
- (**e-STUDIO2309A/2809A**) Пьедестал имеет 6 регуляторов (противоскользящие устройства) под днищем. После перемещения и установки машины убедитесь, что вы их повернули и опустили вниз, чтобы их зафиксировать. Затем зафиксируйте стопоры.



### **⚠ ОПАСНО!**

Не пытайтесь самостоятельно установить устройство или поменять место установки. Это может привести к травме или повреждению устройства. В случае, если необходимо установить или переместить устройство, свяжитесь с представителем сервисной службы.

### **Прочие рекомендации**

- Сетевая розетка должна находиться вблизи устройства и должно быть легко доступной.
- Если вокруг этой машины не хватает места, плохая вентиляция приведет к нарушению работоспособности устройства; кроме того, затрудняются некоторые операции, такие как подача с ручного лотка и устранение сбоя при подаче бумаги. Для обеспечения достаточного пространства в качестве руководства используйте следующую таблицу.

<b>Требуемое пространство</b>		
<b>Сзади</b>	<b>Слева</b>	<b>Справа</b>
20 см	30 см	80 см

- Убедитесь, что кабель надежно закреплен так, что по нему никто не может пройти.
- Неблагоприятные внешние условия могут влиять на безопасность работы и характеристики этой многофункциональной цифровой системы, а сама система даже может выйти из строя.
  - Избегайте размещения вблизи окна или под прямыми солнечными лучами.
  - Избегайте размещения в местах со значительными перепадами температуры.
  - Избегайте запыленных мест.
  - Избегайте мест с повышенной вибрацией.

- Убедитесь, что воздух проходит свободно и имеется достаточно вентиляции. Без надлежащей вентиляции в воздухе помещения появится неприятный запах, вызванный выделением озона.

## □ При работе с многофункциональной цифровой системой

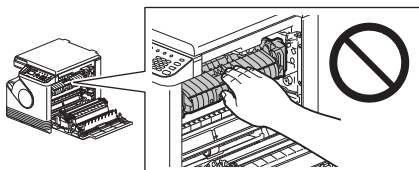
### ⚠ ОПАСНО!

- Не открывайте корпус оборудования; это может привести к травме или поражению электрическим током.
- Не вставляйте и не вынимайте вилку шнура питания из розетки мокрыми руками, так как вы можете получить поражение электрическим током.
- Не кладите емкости с водой (вазы с цветами, чашки с кофе и т. д.) на устройство или поблизости от него.  
Это может привести к пожару или поражению электрическим током.
- Держите скрепки для бумаги подальше от вентиляционных отверстий. Это может привести к пожару или поражению электрическим током.
- Если многофункциональная цифровая система слишком нагрелась, появились дым, странный запах или шум, немедленно выключите выключатель питания, выньте вилку шнура из розетки и обратитесь в службу технической поддержки.
- Если многофункциональная цифровая система не будет использоваться в течение ближайшего месяца, на это время выньте вилку шнура питания из розетки в целях безопасности. Если произойдет пробой изоляции, может возникнуть пожар или поражение электрическим током.
- Не прикасайтесь к любым компонентам, которые не указаны в руководстве оператора. Это может привести к неправильной работе оборудования либо поражению электрическим током, травме или ожогу.

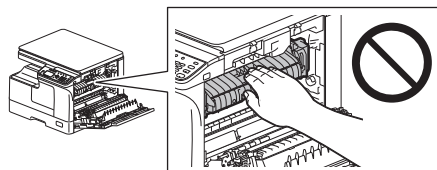
### ⚠ ПРЕДУПРЕЖДЕНИЕ

- Не кладите тяжелые предметы (тяжелее 4 кг) на стекло и не давите на него. Если стекло лопнет, вы можете получить травму.
- Не кладите тяжелые предметы (тяжелее 4 кг) на многофункциональную цифровую систему. Если они упадут, вы можете получить травму.
- (**e-STUDIO2802A/2802AM/2802AF**) Убедитесь, что при вынимании или установке кассеты вы удерживаете ее двумя руками и не раняете ее на пол. Если уроните, можете получить травму.
- Закрывая кассету, берегите пальцы. Вы можете их прищемить.
- Не прикасайтесь к печке или металлическим деталям вокруг нее. Поскольку они очень горячие, вы можете обжечься, а рефлекторные движения могут привести к повреждению рук о внутренние детали устройства.

e-STUDIO2802A/2802AM/2802AF



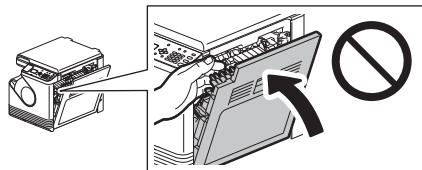
e-STUDIO2303A/2303AM/2803AM/2309A/2809A



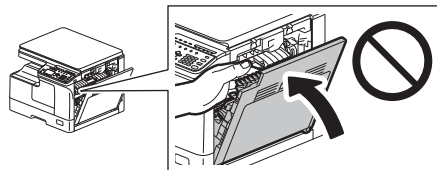
RU

- 
- Не засовывайте руки в щели между машиной и боковой крышкой. Вы можете их прищемить.

e-STUDIO2802A/2802AM/2802AF



e-STUDIO2303A/2303AM/2803AM/2309A/2809A

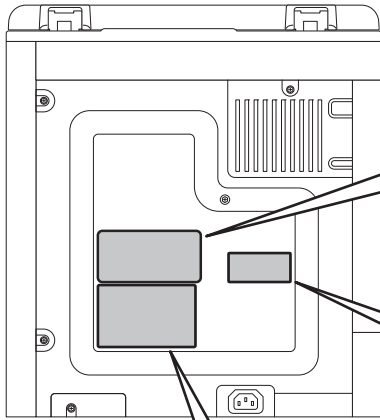


- При открывании или закрывании реверсивного или обычного автоподатчика документов убедитесь, что ваши пальцы не попали между задней частью автоподатчика и машины. Вы можете получить травму.
- Не используйте кассеты в качестве опоры. Если вы упадете, вы можете получить травму.



# Расположение сертификационных табличек и т. д.

## e-STUDIO2802A/2802AM/2802AF



Поясняющая табличка



Сертификационная табличка (для США и Канады)

Product is certified by the manufacturer to comply with DHHHS Rule 21 CFR subchapter J applicable at the date of Manufacture.

Manufactured: TS

**TOSHIBA TEC CORPORATION**  
1-11-1, OSAKI, SHINAGAWA-KU, TOKYO, 141-8562, JAPAN

Идентификационная табличка

Для США и Канады

**TOSHIBA**  
MULTIFUNCTIONAL DIGITAL SYSTEMS  
/SYSTEME MULTIFONCTION NUMERIQUE e-STUDIO2802AM  
MODEL/MODELE DP-2802AM  
120V ~  
50/60Hz 12A  
NO.

complies with  
UL 60950-1  
CSA C22.2 No.60950-1

**TOSHIBA TEC CORPORATION** TC  
MADE IN CHINA/FABRIQUE EN CHINE

Для ЕС

**TOSHIBA**  
MULTIFUNCTIONAL DIGITAL SYSTEMS  
/SYSTEME MULTIFONCTION NUMERIQUE e-STUDIO2802AM  
MODEL/MODELE DP-2802AM  
220-240V ~  
50/60Hz 8A  
NO.

**TOSHIBA TEC CORPORATION** TC  
MADE IN CHINA/FABRIQUE EN CHINE

Предупреждающая табличка

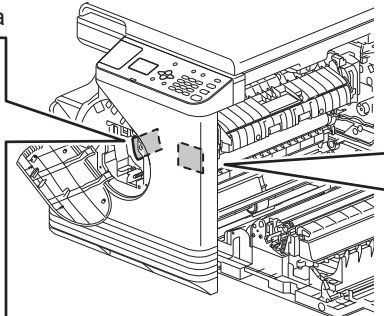
危険-ドラムユニットを開放したり光学ユニットを開けたらレーザー光を照射するレーザー光の有害レーザー放射の恐れがあります。レーザー光を直接目に照射しないようにしてください。

DANGER-CLASS 3B INVISIBLE LASER RADIATION WHEN OPTICAL UNIT OPEN OR DRUM UNIT REMOVED AND INTERLOCK DEFEATED. AVOID DIRECT EXPOSURE TO BEAM.

VORSICHT-KLASSE 3B UNSICHTBARE LASERSTRAHLUNG, WENN DIE ABSCHLÜCKUNG GEÖFFNET ODER DIE TROMMEL ENTFERNT UND DIE VERREGELUNG UNWIRKSAM GEMACHT WIRD. NICHT DIREKT DEM STRAHLE AUSSETZEN.

DANGER-CLASSE 3B RAYON LASER INVISIBLE LORSQUE LE BLOC OPTIQUE EST OUVERT, LE TAMBOUR RETIRE ET LE VERROUILLAGE HORS D'USAGE. EVITER L'EXPOSITION DIRECTE AU RAYON.

PELIGRO-RADIACION INVISIBLE DE LASER CLASE 3B CUANDO LA UNIDAD OPTICA ESTA ABIERTA O LA UNIDAD DEL CILINDRO ES RETIRADA Y CUANDO EL INTERRUPTOR DE SEGURIDAD ESTA DE SACTIVADO. EVITE EXPOSICION DIRECTA AL RAYO.



Предупреждающая табличка

危険-ドラムユニットを開放したり光学ユニットを開けたらレーザー光を照射するレーザー光の有害レーザー放射の恐れがあります。レーザー光を直接目に照射しないようにしてください。

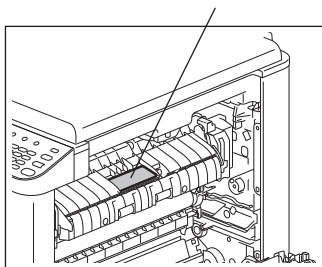
DANGER-CLASS 3B INVISIBLE LASER RADIATION WHEN OPTICAL UNIT OPEN OR DRUM UNIT REMOVED AND INTERLOCK DEFEATED. AVOID DIRECT EXPOSURE TO BEAM.

VORSICHT-KLASSE 3B UNSICHTBARE LASERSTRAHLUNG, WENN DIE ABSCHLÜCKUNG GEÖFFNET ODER DIE TROMMEL ENTFERNT UND DIE VERREGELUNG UNWIRKSAM GEMACHT WIRD. NICHT DIREKT DEM STRAHLE AUSSETZEN.

DANGER-CLASSE 3B RAYON LASER INVISIBLE LORSQUE LE BLOC OPTIQUE EST OUVERT, LE TAMBOUR RETIRE ET LE VERROUILLAGE HORS D'USAGE. EVITER L'EXPOSITION DIRECTE AU RAYON.

PELIGRO-RADIACION INVISIBLE DE LASER CLASE 3B CUANDO LA UNIDAD OPTICA ESTA ABIERTA O LA UNIDAD DEL CILINDRO ES RETIRADA Y CUANDO EL INTERRUPTOR DE SEGURIDAD ESTA DE SACTIVADO. EVITE EXPOSICION DIRECTA AL RAYO.

Предупреждение для областей с высокой температурной (печка)




RU

e-STUDIO2303A/2303AM/2803AM/2309A/2809A

Идентификационная табличка

Для США и Канады





**TOSHIBA**  
 MULTIFUNCTIONAL DIGITAL SYSTEMS  
 /SYSTEME MULTIFONCTION NUMERIQUE e-STUDIO2809A  
 MODEL/MODELE DP-2809A  
 120V ~  
 50/60Hz 12A  
 NO.

 complies with  
 UL 60950-1  
 CSA C22.2 No.60950-1

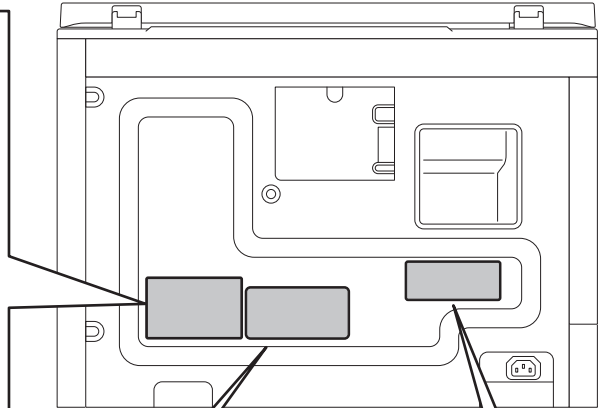
**TOSHIBA TEC CORPORATION** TC  
 MADE IN CHINA/FABRIQUE EN CHINE

Для ЕС

**TOSHIBA**  
 MULTIFUNCTIONAL DIGITAL SYSTEMS  
 /SYSTEME MULTIFONCTION NUMERIQUE e-STUDIO2809A  
 MODEL/MODELE DP-2809A  
 220-240V ~  
 50/60Hz 8A  
 NO.

**TOSHIBA TEC CORPORATION** TC  
 MADE IN CHINA/FABRIQUE EN CHINE



Поясняющая табличка

CLASS 1 LASER PRODUCT  
 APPAREIL À LASER DE CLASSE 1  
 LASER KLASSE 1  
 PRODUCTO DE LASER DE CLASE 1  
 クラス1レーザー製品

>PS<

Сертификационная табличка  
 (для США и Канады)

Product is certified by the manufacturer to comply with DHHS Rule 21 CFR subchapter J applicable at the date of Manufacture.

Manufactured: TS

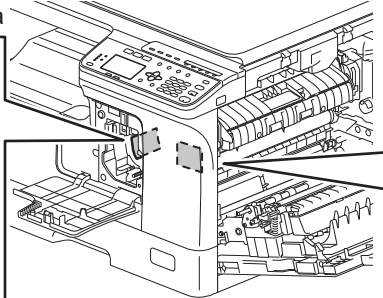
**TOSHIBA TEC CORPORATION**  
 1-11-1, OSAKI, SHINAGAWA-KU, TOKYO, 141-8562, JAPAN

Предупреждающая табличка



>PS<

危険: ドラムユニットを外したり光学ユニットを開けたら必ずスイッチを無効にする。クラス3Bの不可視レーザー放射の恐れあり。ビームの直接曝露を避ける。  
 DANGER: CLASS 3B INVISIBLE LASER RADIATION WHEN OPTICAL UNIT OPEN OR DRUM UNIT REMOVED AND INTERLOCK DEFEATED. AVOID DIRECT EXPOSURE TO BEAM.  
 VORSICHT: KLASSE 3B UNSICHTBARE LASERSTRAHLUNG, WENN DIE ABDECKUNG GEÖFFNET ODER DIE TROMMEL ENTFERNT UND DIE VERBREMUNG UNWIRKSAM GEMACHT WIRD. NICHT DIREKT DEM STRAHL AUSSETZEN.  
 DANGER: CLASSE 3B RAYON LASER INVISIBLE, LORSQUE LE BLOC OPTIQUE EST OUVERT, LE TAMBOUR RETIRE ET LE VERROUILLAGE HORS D'USAGE. EVITER L'EXPOSITION DIRECTE AU RAYON.  
 PELIGRO: RADIACION INVISIBLE DE LASER CLASE 3B CUANDO LA UNIDAD OPTICA ESTA ABIERTA O LA UNIDAD DEL CILINDRO ES RETIRADA Y CUANDO EL INTERRUPTOR DE SEGURIDAD ESTA DE SACTIVADO. EVITE EXPOSICION DIRECTA AL RAYO.



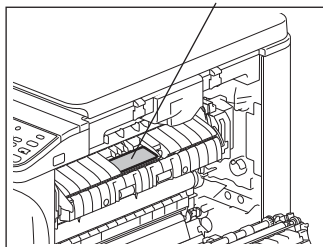
Предупреждающая табличка



>PS<

危険: ドラムユニットを外したり光学ユニットを開けたら必ずスイッチを無効にする。クラス3Bの不可視レーザー放射の恐れあり。ビームの直接曝露を避ける。  
 DANGER: CLASS 3B INVISIBLE LASER RADIATION WHEN OPTICAL UNIT OPEN OR DRUM UNIT REMOVED AND INTERLOCK DEFEATED. AVOID DIRECT EXPOSURE TO BEAM.  
 VORSICHT: KLASSE 3B UNSICHTBARE LASERSTRAHLUNG, WENN DIE ABDECKUNG GEÖFFNET ODER DIE TROMMEL ENTFERNT UND DIE VERBREMUNG UNWIRKSAM GEMACHT WIRD. NICHT DIREKT DEM STRAHL AUSSETZEN.  
 DANGER: CLASSE 3B RAYON LASER INVISIBLE, LORSQUE LE BLOC OPTIQUE EST OUVERT, LE TAMBOUR RETIRE ET LE VERROUILLAGE HORS D'USAGE. EVITER L'EXPOSITION DIRECTE AU RAYON.  
 PELIGRO: RADIACION INVISIBLE DE LASER CLASE 3B CUANDO LA UNIDAD OPTICA ESTA ABIERTA O LA UNIDAD DEL CILINDRO ES RETIRADA Y CUANDO EL INTERRUPTOR DE SEGURIDAD ESTA DE SACTIVADO. EVITE EXPOSICION DIRECTA AL RAYO.

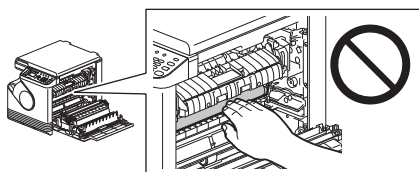
Предупреждение для областей с высокой температурной (печка)



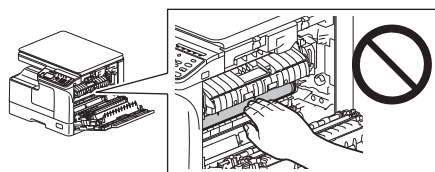
## Прочие рекомендации

- Не выключайте питания, если внутри устройства осталась застрявшая бумага. Это может привести к неисправностям при следующем включении питания.
- Убедитесь, что питание выключено, когда вы покидаете офис, или же если имеются отказы питания. Однако не следует выключать питание при использовании недельного таймера.
- Будьте осторожны, поскольку выходной тракт и бумага в нем непосредственно после выхода имеют высокую температуру.
- Не кладите на приемный лоток ничего, кроме бумаги. Это может нарушить нормальную работу устройства и привести к поломкам.
- Не прикасайтесь к фотобарабану. Это может привести к проблемам с изображением.

e-STUDIO2802A/2802AM/2802AF



e-STUDIO2303A/2303AM/2803AM/2309A/2809A



- Во время печати не открывайте и не закрывайте крышки и ручной лоток и не вытягивайте кассеты.

## □ Во время профилактики и обслуживания

### ⚠ ОПАСНО!

- Никогда не пытайтесь самостоятельно отремонтировать, разобрать или изменить эту многофункциональную цифровую систему. Вы можете вызвать пожар или получить поражение электрическим током.  
Для обслуживания или ремонта внутренних компонентов этой многофункциональной цифровой системы всегда обращайтесь в службу технической поддержки.
- При чистке полов не допускайте попадания внутрь устройства жидкостей, таких как вода и масло. Это может привести к пожару или поражению электрическим током.

### ⚠ ПРЕДУПРЕЖДЕНИЕ

- Всегда поддерживайте вилку шнура питания и розетку в чистом состоянии. Не допускайте накопления на них пыли и грязи. Это может привести к пожару или поражению электрическим током из-за нагрева, вызванного электрическими утечками.

## Прочие рекомендации

- Не используйте для очистки поверхностей многофункциональной цифровой системы растворители или спирт.
  - Это может привести к деформации поверхности или изменению ее цвета.
  - При использовании химических очищающих салфеток обращайте внимание на предупреждения производителя.

## □ При работе с расходными материалами

### ⚠ ПРЕДУПРЕЖДЕНИЕ

- Никогда не пытайтесь сжечь картриджи. Утилизируйте использованные картриджи в соответствии с местными нормативными документами.

---

## Прочие рекомендации

- Прочитайте в руководстве по эксплуатации как правильно проводить процедуру замены тонера. Несоответствующая процедура может привести к утечке или рассыпанию тонера.
- Не прикладывайте усилие, открывая тонер. Это может привести к утечке или рассыпанию тонера.
- Храните картридж с тонером в недоступном для детей месте.
- Если тонер попал на одежду, смойте холодной водой. Если вы используете теплую воду, следы от тонера останутся на одежде, поскольку он не смывается.
- Если тонер протекает из картриджа, будьте осторожны, не вдыхайте и не прикасайтесь к тонеру.

### Меры по оказанию первой помощи

Если вы вдохнули тонер, прикоснулись к нему и т.п., выполните следующие процедуры.

- При вдыхании: Немедленно выйдите из зоны поражения на свежий воздух. При возникновении проблем с дыханием или иных симптомов болезни, свяжитесь с врачом.
- При попадании на кожу: Помойте водой с мылом. Постирайте одежду, прежде чем снова надеть ее. Если останется раздражение, обратитесь к врачу.
- При попадании в глаза: Немедленно промойте глаза большим количеством воды по крайней мере 15 минут. Если сохраняется раздражение, обратитесь к врачу.
- При проглатывании: Выпейте несколько стаканов воды.

## ■ Сведения об окружающей среде

### □ Программа ENERGY STAR®

Корпорация Toshiba Tec Corporation, являясь партнером программы ENERGY STAR, наносит логотип ENERGY STAR на все изделия, которые соответствуют стандартам программы ENERGY STAR.



Цель программы ENERGY STAR заключается в поощрении разработки и широкого использования офисного оборудования, включая энергосберегающие технологии для компьютеров, предназначенные для предотвращения загрязнения окружающей среды, связанного с глобальным потеплением. Производители, участвующие в этой программе, могут наносить логотип Energy Star на изделия после подтверждения соответствия со стандартами программы энергосберегающих технологий. Кроме того, эти стандарты и логотип обычно используются Управлением по охране окружающей среды США (EPA) и странами-участниками.

Конкретные продукты, страны или регионы

Чтобы определить, соответствует ли данный продукт требованиям программы ENERGY STAR, посмотрите, имеется ли на нем соответствующий логотип.

Если есть вопросы, свяжитесь с представителем сервисной службы.



# MULTIFUNCTIONAL DIGITAL SYSTEMS

## Safety Information

**e-STUDIO2802AM/2802AF**

**e-STUDIO2303AM/2803AM**

**e-STUDIO2309A/2809A**

## **TOSHIBA TEC CORPORATION**

1-11-1, OSAKI, SHINAGAWA-KU, TOKYO, 141-8562, JAPAN

©2015 TOSHIBA TEC CORPORATION All rights reserved  
Under the copyright laws, this manual cannot be reproduced in any form  
without prior written permission of TTEC.  
Patent; <http://www.toshibatec.co.jp/en/patent/>

6LJ82734200  
Ver03 F 2015-12